

O-range ECON[®] Data

The new standard for data and network installations



O-range ECON[®] Data

BOX SPECIALIST

 **KAISER**
The basis for good installation

The **box specialist** for communication technology

OPTIMAL

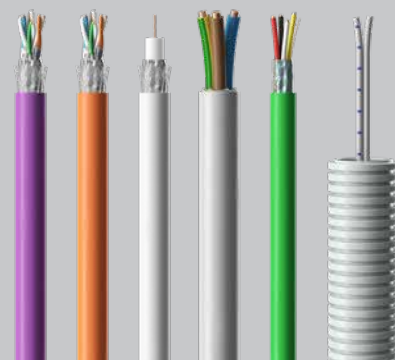
NEW

One-gang connection box for communication inserts, also suitable for 230V accessories.

Innovative cable entries prevent cable kinks because the cable reserve is fitted in the lightweight wall.

4 screw domes for maximum flexibility when fixing accessories.

O-range ECON® Data for network, coaxial, NYM and communication lines, or fibre optic cables laid in the conduit



PLOPP



The opening tab:
Toolless opening technology for defined opening of the conduit membrane – guaranteed permanently air-tight!



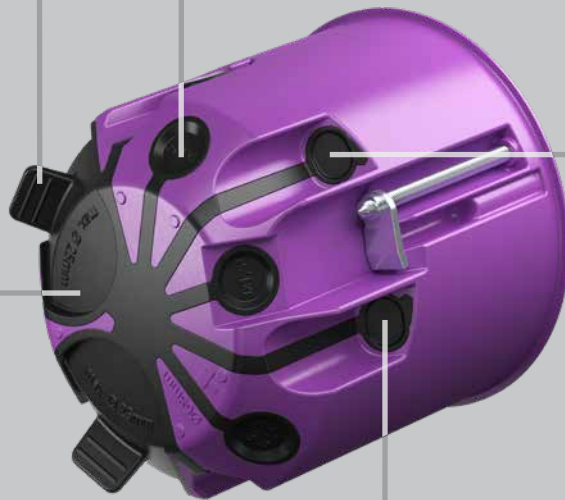
Integrated cable retention for the NYM cables acc. to DIN EN 60670



Perfect positioning of the cable entries for communication cables



2 conduit entries for Ø 20/25 mm installation conduits



Combinable with all applications in the O-range® series



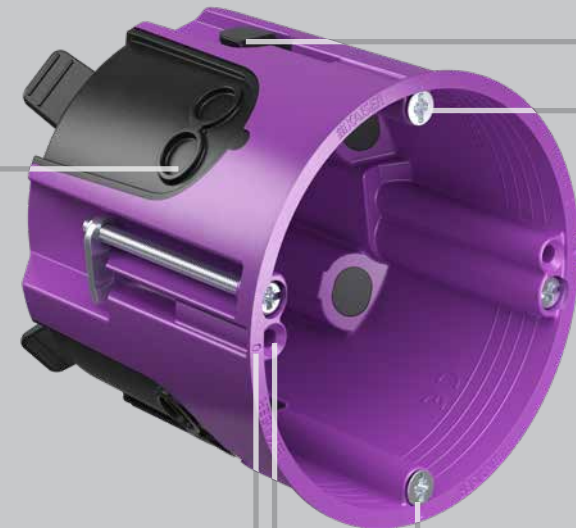
2 easy-to-use cable entries for connecting Keystone modules



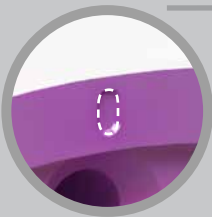
Multidirectional combinability for 2-way to 5-way combinations



4 innovative cable entries for connecting network connection boxes



Device screws: With +/- head!



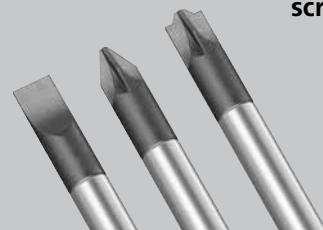
Centreline marking for optimal alignment of the box in the installation opening



4 screw domes for maximum flexibility when fixing accessories



You can use any screwdriver!





Article	O-range ECON® Data accessory connection box	O-range ECON® Data accessory connection box (halogen-free)	Support connector	Support connector (halogen-free)
For panel thickness	7–40 mm	7–40 mm		
Depth	74 mm	74 mm		
Cut hole Ø	68 mm	68 mm		
Conduit entries up to Ø 25 mm	2	2		
Cable entries 3 x 2.5 mm ² or 5 x 1.5 mm ²	1	1		
Cable entries 3 x 1.5 mm ²	2	2		
Cable entries for communication cables	6	6		
Halogen-free	–	•	–	•
Air-tight	•	•	•	•
VDE / ÖVE	• / •	• / •		
Art. No.	9280-22	9280-78	9060-98	9060-78
Inner packaging/shipping	10 / 100	10 / 100	25 / 100	25 / 100

O-range ECON® Data one-gang connection box

- For network, coaxial, NYM and communication lines, or fibre optic cables fed through the conduit
- 4 screw domes
- Air-tight version with sealing membranes
- Toolless cable and conduit entries
- Integrated cable retention of the NYM cables, self-locking of the communication cables and conduits
- Combinable with all applications in the O-range® series

Additional articles in the O-range ECON® product family:



9263-22*

9264-22*

9266-22*

9268-94*

9273-91*

9252-22*

9253-22*

9254-22*

Additional articles in the O-range® family:



9063-02*

9064-02*

The right tools:



1083-10

1083-70

The right accessories:



1085-99

1190-02

1040-16

1040-20

1040-25

* also available as halogen-free



Product film



O-range®

The new cavity wall box!

U Ultima
www.ultima.hu

Ultima Kft.
Központi raktár: 1172 Budapest, Rétifarkas utca 6.
Telefon: +36 1 432 8820
www.ultima.hu

