



## GENERAL CATALOGUE

LOW VOLTAGE POWER CONNECTION  
FOR INDUSTRIAL AND Ex APPLICATIONS



# MARECHAL ELECTRIC

THE GROUP, OUR TECHNOLOGY, STANDARDS, REFERENCING

## EVO

SEPARABLE  
SWITCH-DISCONNECTOR

**EVO40**  
40 A



**DECONTACTOR™**  
& INDUSTRIAL SOCKET-OUTLET

**PNC**  
16 A



**DSN**  
20 A ▶▶▶ 63 A



**PN**  
30 A



**PNHT**  
30 A



**SINGLE POLE**  
POWER CONNECTORS

**CS**  
250 A



**DSP400**  
400 A



**CS1000**  
500 A



**MULTICONTACT**  
CONNECTORS

**PN7C**  
7 CONTACTS



**DS7C3/6**  
7 CONTACTS



**DN9C**  
9 CONTACTS



**MOBILE**  
APPLICATIONS

ELECTROMAGNETIC  
SELF-EJECTION



MECHANICAL  
SELF-EJECTING



JUNCTION AND DISTRIBUTION  
**BOXES**

DISTRIBUTION  
AND JUNCTION



CUSTOMISED  
SOLUTIONS



**CONNECTORS**

DECONTACTOR™ AND  
INDUSTRIAL SOCKET-OUTLET



SINGLE POLE



JUNCTION AND DISTRIBUTION  
**BOXES**

DISTRIBUTION  
AND JUNCTION



CONTROL



**LIGHTING**

LINEAR



FLOODLIGHT



**ACCESSORIES**  
AND SPARE PARTS

**DS**  
30 A >>> 400 A



**FC**  
50 A



**DSHT**  
125 A



**PFQ**  
400 A



**PFC**  
600 A



**SP**  
750 A



**DSP1250**  
1250 A



**PN12C**  
12 CONTACTS



**DSN12C**  
12 CONTACTS



**DN20C**  
20 CONTACTS



**DSN24C**  
24 CONTACTS



**DSN37C**  
37 CONTACTS



ANTI ENGINE START UP



DISTRIBUTION BOXES



SOLUTIONS  
FOR TUNNELS



MULTICONTACTS



BOXES  
AND CABINETS



SIGNAL





# THE MARECHAL ELECTRIC GROUP

## 1954

**DECONTACTOR™**  
**DN SERIES**



## 1976

**SAFETY SHUTTER**  
**DS SERIES**



## 1998

**WATERTIGHTNESS AND COMPACTNESS**  
**DSN SERIES**  
**DXN SERIES**



## HISTORY

Founded in 1952, the MARECHAL ELECTRIC group was born to enhance electrical safety in industrial environments. Our main product DECONTACTOR and unique silver-nickel butt-contact technology offer a safe and innovative solution that allows break under load up to 250 A and reduces the risk of accidents. The group counts among the major players in **Low Voltage LT electrical connection systems** in industrial environments with or without the presence of an EX explosive atmosphere.

## MEANS

Since its inception, MARECHAL ELECTRIC Group's R&D has filed nearly 100 patents in more than 50 countries. The laboratory is approved by LCIE (Central Laboratory of Electrical Industries in France) Bureau Veritas for pre-testing and qualification of products. 5% of the turnover is invested every year in R&D to create, develop and adapt.

With a total surface area of almost 34,000 m<sup>2</sup>, 9 sites are dedicated to production, assembly, inspection and shipment: France (3), Germany, Italy, Singapore, Australia, South Africa and the United States.

Our sites are certified:

- ISO 9001 (France),
- DIN EN ISO 9001 (Germany),
- UL (QLHN.E145931 for power sockets/plugs and QLIW.E85952 for bases/connectors - United States).
- ATEX and IECEx (France, Italy)
- ISO 14001 (Italy).

Its operational and/or sales subsidiaries in Europe, America, Asia, the Middle East, Africa and Australia, offer the best products and local services to the most demanding customers such as Technip, Total, Nestlé, Pepsi, Aramco, Sasol, SNCF, EDF, CEPSA, Actavis, Transnet, Arcelor, Universal Studios, Airbus, Boeing, McDonald's, Rio Tinto and BHP Billiton.

A workforce of nearly 500 worldwide includes R&D, manufacturing and commercial development skills. The product range is intended for all sectors of industrial activity where **safety** and **endurance** are required.

MARECHAL ELECTRIC Group has a recognised expertise in the global industry, it actively participates in **standardization** work by providing the Secretariat for the technical committees SC 23H of the IEC - "Power sockets for industrial uses" and SC 31-2 of the CENELEC - "Explosion-proof "d" casing", as well as chairing the French UF 23H research committee.

MARECHAL® also participates in the work of **study committees** (IEC and CENELEC) such as TC64, TC18 and TC69.



**MANUFACTURED  
IN FRANCE**

# 70 years of expertise

## 2006

### SINGLE POLE POWER CONNECTORS

SERIES SP  
SERIES SPEX



## 2019

### SEPARABLE SWITCH-DISCONNECTOR EVO SERIES



## MARKETS AND REFERENCES

MARECHAL® and TECHNOR® products are ideal for the most demanding users, installers, integrators (EPC, OEM, etc.) where safety, reliability and endurance are required. Each year, our teams provide advice, technical follow-up and design of customised solutions as part of sites projects or sites in more than 100 countries.

The offer is segmented by areas of activity and by types of site/project: NEW or RENOVATION, industrial or ATEX areas. In order to meet the requirements of the multiple configurations of electrical installations, more than 40,000 products references are supplied every year. MARECHAL ELECTRIC Group provides solutions for critical areas or processes of the industry where reliability, strength and safety are essential.

The main industries using our products are:

- the agri-food industry (safety),
- water treatment (reliability),
- chemicals and refineries (safety and reliability),
- heavy industry (strength),
- construction and building (strength and safety),
- energy (reliability),
- transport and airports (safety and reliability),
- entertainment and medias (safety),
- fire emergency services (safety and reliability),
- mines and quarries (safety and toughness),
- ports, marinas, offshore and shipyards (toughness and safety),
- tunnels (safety),
- towns and infrastructure (safety).

## MARECHAL®

Over the past 70 years, MARECHAL® has been the brand of low voltage electrical connectors designed, manufactured and controlled in France in strict compliance with the requirements of international standards (IEC and UL). Thanks to the butt-contact technology, the dozens of patents (filed in more than 50 countries) and the choice of the highly advanced materials, MARECHAL® connectors are the most reliable in the world. They guarantee the best safety for users and equipment in accordance with the requirements of the European Low Voltage Directive (LVD no. 2014/35/EU since April 20, 2016).

They are available for non-ATEX or ATEX environments (IECEx) Areas 1, 21, 2, 22:

- Separable switch disconnector (from 2 to 6 poles - 40 A).
- DECONTACTOR™ = plug + industrial switch (up to 250 A),
- multi-contact sockets (up to 37 contacts),
- industrial connectors (up to 600 A),
- single pole connectors (up to 1250 A with pilots),
- socket, distribution, break-out, junction, boxes.

## TECHNOR®

Part of the Marechal Group since 2013, this brand dedicated to ATEX/IECEx products has built its reputation over more than 30 years on exceptional product quality. All the products are designed, manufactured and tested in France and Italy.

A wide range of products conforming to the ATEX or/and IECEx standards:

- explosion-proof distribution and control boxes,
- explosion-proof cast aluminium, steel, stainless steel or GRP/thermoset,
- lighting (luminaires, spot lights with fluorescent or LEDs),
- stainless steel or GRP control and junction units,
- warning/indicator lights,
- earthing systems,

These products comply with European, international (IEC) and North American (UL, CSA) standards and regulations.



# ENERGY EFFICIENCY

## ENERGY EFFICIENCY AND SUSTAINABLE DEVELOPMENT

By choosing MARECHAL ELECTRIC, you select a technology that combines energy efficiency and sustainable development.

### REDUCE YOUR ENERGY CONSUMPTION

Industry requires energy. A running machine produces heat and therefore, energy. The optimisation of the energy consumption is key to reduce operation costs and enhance processes cost efficiency.

### LIMIT YOUR CARBON FOOTPRINT BY INVESTING IN LONG-LASTING SOLUTIONS

Sustainable development will not happen without sustainable products. MARECHAL ELECTRIC products have often been installed for more than 30 years in extreme environments such as offshore oil platforms, mines, docksides, water treatment sites and industrial sites in chemicals, food and beverage or aeronautics sectors.

## SAFETY & ENVIRONMENT CHARTER

MARECHAL ELECTRIC is committed to safety and the environment:

### 1. SAFETY FIRST AND FOREMOST

- Goal: 0 accident.
- To prevent potential risks related to our business.
- To raise awareness among employees to acquire and develop ecological reflexes.
- To promote well-being at work to establish a lasting trusting relationship with our employees.

### 3. DESIGN FOR AN ENERGY-EFFICIENT PRODUCT

- To choose technical solutions and high-performance materials for a durable product.
- To propose spare parts to increase the lifespan of our products.
- To improve energy efficiency and reduce the users' energy consumption thanks to MARECHAL ELECTRIC butt-style contact technology.

### 2. RATIONAL AND REASONABLE USE OF RESOURCES TO REDUCE OUR FOOTPRINT

- To control our water, and energy.
- To encourage good practices for the environment.
- To reduce our paper printing.
- To sort our waste to facilitate recycling.
- To favour local distribution channels, as close as possible to our suppliers.





# DECONTACTOR™, CONNECTIVITY TO REDUCE YOUR ENVIRONMENTAL FOOTPRINT

DECONTACTOR™, has been developed in response to a need to limit the heating of the contacts being an excellent compensation of the thermal cycle thanks to the butt-contact technology. The quality of the materials used and especially the silver-nickel tips on the end of our contacts guarantee little contact resistance and excellent environmental performances in extreme environments.

Investing in MARECHAL ELECTRIC's solutions is therefore the guarantee of a measurable return on investment at all stages of the life cycle of the products :

- **investment:** the DECONTACTOR™ is an industrial socket with an integrated switch, it is not a simple plug.
- **installation :** our 5 A to 250 A DECONTACTOR™ break under load, hence do not require a contactor-fed pilot.,
- **use:** the DECONTACTOR™ with its silver-nickel butt-contact technology reduces heat dissipation compared with pins and sleeves solutions, generating less energy consumption,
- **maintenance:** spare parts are available for repairing damaged components, thus avoiding waste and pollution.

MARECHAL ELECTRIC products are internationally recognised for their durability which can reach more than 40 years.

## THE REPAIRABILITY INDEX



The Repairability Index\* aims to reduce obsolescence by providing information on whether a product is repairable or not at the time of purchase and thus extending its life and use. It is based on the following criteria:

availability of spare parts, availability of documentation, accessibility of after-sales service, ease of repair, price of spare parts.

\* Decree n°2020-1757 of 27 December 2020 (France).

## KEY FEATURES OF OUR DECONTACTOR™



Energy saving



Cost saving



Less cooling needed (in the data center case)



Less carbon footprint



Complementary saving dual voltage construction

SPARE PARTS CAN BE FOUND IN THE ACCESSORIES SECTION OF OUR CATALOGUE. PAGE 324





# APPLICABLE STANDARDS AND DIRECTIVES

## EUROPEAN REGULATION

Created in 1993, the European Union internal market is a single market where, among others, goods can circulate freely between the different countries of the Union. Furthermore, the safety and the protection of persons and of the environment is one of the main purposes of the European Regulation.

For this reason any manufacturer of potentially risky products for the end user has to affix the CE marking (meaning "European Conformity") previously to place the product on the single market complying with the requirements of the applicable European Regulation.

For the products intended to be used in potentially explosive atmospheres, the ATEX Directive 2014/34/UE is applicable.

For products intended for industrial purposes, the Low Voltage Directive (LVD) 2014/35/UE is applicable.

The ATEX and LVD directives require that a product complies with the essential safety requirements:

"Electrical equipment may be made available on the Union market only if, [...] it does not endanger the health and safety of persons [...] or property."

To reach this aim, the manufacturer can use the applicable harmonized European standards (EN standards) conferring a presumption of conformity of the product regarding the requirements of the applicable European Directive. Then the manufacturer can affix the CE marking on the product and place it on the single market .

In the case MARECHAL® devices would be associated with devices or spare parts other than from MARECHAL®, MARECHAL ELECTRIC S.A.S.'s responsibility cannot be engaged, and the **CE** marking is invalidated.

**All MARECHAL® appliances are consistent with the LVD and are manufactured within the framework of an ISO 9001 quality control system.**

Compliance with the French Labour Code, article R.4226-12, in accordance with the decree Royal Spanish 842/2002 REBT, ITC- BT-19, in conformity with the American standard NFPA70E

**MINISTERIAL  
DECREE DATED  
20/12/2011**

## Order relating to removable electrical devices and their conditions of connection and use.

This Order was published in the Official Journal on 27 January 2012. It stipulates:

Art. 6. - The joining or separation of the two parts of power sockets, extension cords and current connectors with a rating **higher than 32 amps**, must only be able to be performed off load.

**All MARECHAL® appliances comply with this order.**

## IEC/EN INTERNATIONAL STANDARDS

MARECHAL® devices comply with the following standards:

- IEC/EN 60309-1 : power outlets for industrial uses - Part 1: General rules
- IEC/EN 60309-4 : Power outlets for industrial uses - Part 4: Switched socket-outlets and connectors with or without interlock.

The break capacity of the MARECHAL® DECONTACTOR™ is tested according to the following standard:

- IEC/EN 60947-3 : low voltage appliances - Part 3: Switches, disconnectors, switch-disconnectors and fuse-combination units.

For specific uses, the MARECHAL® appliances comply with the following standard:

- IEC/EN 61984 : connectors.

All MARECHAL products for ATEX comply with the following standard:

- IEC/EN 60079.

## UL/CSA AMERICAN STANDARDS





MARECHAL® devices comply with the following standards:

- UL 1682 (United States) and CSA C22.2 N° 182.1-07 (Canada) : power sockets and connectors.
- UL 2682 (United States) : power sockets with break capacity for motor connection.






## DEFINITIONS

|  |  |   |
|--|--|---|
|  <b>Ingress protection</b><br>according to IEC/EN 60529                       | <b>1<sup>st</sup> digit: protection against solid foreign objects</b><br>2 = protection against dangerous live parts with a finger<br>4 = protection against dangerous live parts with a wire of a diameter superior or equal to 1mm<br>5 = protection against dust<br>6 = dustproof   | <b>2<sup>nd</sup> digit: protection against ingress of water</b><br>4 = protection against water splashes<br>5 = protection against water jets<br>6 = protection against powerful water jets (fire hose)<br>7 = protection against a 30-minutes immersion up to 1m<br>8 = protection against a prolonged immersion for a determined period<br>9 = protection against high pressure water jets at high temperature |
|  <b>Index of resistance to mechanical shocks</b><br>according to IEC/EN 62262 | IK08 = withstands a shock of 1.7 kg to 30 cm (5 joules)<br>IK09 = withstands a shock of 5 kg to 20 cm (10 joules)<br>IK10 = withstands a shock of 5 kg to 40 cm (20 joules)  |   |
|  <b>Switching capacity</b><br>according to IEC/EN 60947-3                   | AC-21 = Resistive on load breaking (simple switchgear, lighting)<br>AC-22 = Mix resistive and inductive on load breaking<br>AC-23 = High inductive on load breaking (motor)<br>AC-3 = Start And Switching Off - Squirrel Cage Motors   |   |
|  <b>Pilot and auxiliary</b>   | <b>Pilot</b><br>A pilot circuit is meant to electrically control a switchgear that energizes/ de-energizes a socket-outlet after plugging, and before unplugging an apparatus, to protect the operator.<br>This switchgear is controlled: <ul style="list-style-type: none"> <li>• by means of a microswitch located inside the socket-outlet (non-crossing pilot circuit), mechanically operated by the plug;</li> <li>• by means of a contact or a pair of contacts, plug side and socket-outlet side (crossing pilot circuit), that make last and break first (LIFO: last-in/first-out), integrated in the control circuit.</li> </ul> <b>Auxiliaries</b><br>Additional to the main contacts, auxiliary contacts are located plug side and socket-outlet side, and are intended for signal, communication, thermistor, etc... |   |

## HAZARDOUS AREA CERTIFICATION

|  |   |
|--|---|
| ATEX  | Certification according to European directive 2014/34/EU on all equipments used in or related to explosive atmospheres.               |
| IECEX  | Complying with international standards for electrical and non-electrical equipment for use in potentially explosive atmosphere areas. |

| Presence of potentially explosive atmosphere | Permanent | Occasional | Rare    |
|--|-----------|------------|---------|
| Zoning for gas & vapours                     | Zone 0    | Zone 1     | Zone 2  |
| Zoning for dust & fiber                      | Zone 20   | Zone 21    | Zone 22 |

■ Performance level of MARECHAL® devices.



# DECONTACTOR™ TECHNOLOGY



## DECONTACTOR™, A ONE OF A KIND DESIGN IN THE WORLD

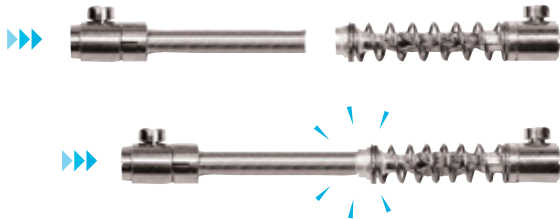
The DECONTACTOR™ is a device which combines

- the advantages of a **power socket**,
- and the performance of a **switch**.

With 70 years of research and innovation, the DECONTACTOR™ range offers a level of reliability and safety not yet equalled anywhere in the world. It allows devices to be connected and disconnected thousands of times and in the most severe environments in perfect **safety** for the user!

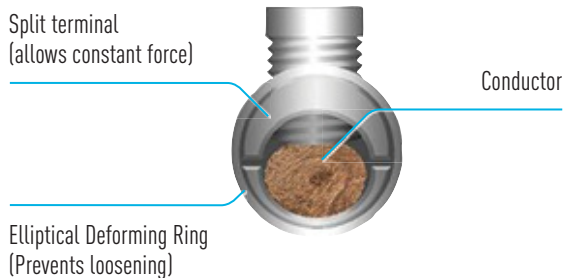
## BUTT CONTACT WITH A SILVER-NICKEL TIP

The MARECHAL® DECONTACTOR™ and connectors are all fitted **with butt contacts with silver-nickel tips**. They provide exceptional connection quality by eliminating the damage due to electric arcs and wear seen with pin and sleeve sockets. Silver is an excellent conductor of current even when oxidized. Conductivity is optimal even in the presence of vibration and temperature variation thanks to the **pressure of the springs**.



## CRIMPED BRAIDS

The MARECHAL® contact uses a **crimped braid with a spring** which provides contact performance and tolerances superior to pin and sleeve contacts. The flexibility of the braid and the spring allows the base contact tip to always be perfectly aligned with the plug contact tip. These contacts, which are silver and anti-corrosion treated, **offer very good corrosion resistance**.



## ELASTIC LOCK TERMINALS

MARECHAL® contacts are fitted with «elastic lock» connection terminals. The wire clamp is split and surrounded by an elliptical deforming ring. This method allows the tightening force on the wire to be constant. Hence despite the creep of the conductor, the variations of temperature and vibration, the conductor wire is perfectly connected to the contact terminal.



## SAFETY SHUTTER

DECONTACTOR™ sockets are fitted with an interlocked safety shutter which prevents access to live contacts. This shutter only unlocks at the time of connection of the plug into the socket which avoids any risk of electric shock.

## CASING MADE FROM ADVANCED MATERIALS

MARECHAL® range connectors and DECONTACTOR™ have casings made from **glass fibre reinforced polyester GRP**, or **metal** depending on the models. This choice of material contributes to the excellent mechanical performance and **longevity** of the socket.



## MARECHAL® TECHNOLOGY

## ADVANTAGES

|  |  |   |
|--|--|---|
| <b>DECONTACTOR™</b> ,<br>Socket-outlet with integrated switch up to 250A   |  | Saves you from buying and installing a contactor or wiring pilots. Guarantees disconnection on load.                  |
| Safety shutter   |  | No access to the live parts of the socket-outlet.   |
| Breaking capacity AC-22/AC-23  |  | Local disconnection possible, fast maintenance or repair, reduction of downtimes.                                     |
| Padlocking facility  |  | Prevents unintentional connections and disconnections while keeping the operator safe from any hazard.                |
| Automatic IP66/IP67/IP69 ingress protection, once the socket-outlet lid is shut or once the inlet has mated with the socket-outlet |  | Resistance to high pressure cleaning up to +80°C.   |
| ATEX/IECEX   |  | Disconnection and padlocking are possible in hazardous areas. This simplifies maintenance in hazardous locations.     |
| T <sub>amb</sub> -40 °C/+60 °C   |  | Materials resist harsh weather conditions.  |
| Dual voltage 230 V/400 V   |  | A 5-pole socket-outlet can be mated with 2-pole, 3-pole, 4-pole and 5-pole inlet plugs.                               |
| GRP IK09<br>Metal IK09/IK10  |  | Materials with high mechanical endurances.  |
| Butt contact with silver-nickel plated tip   |  | Better conductivity.<br>No corrosion, unlike copper or brass contacts.<br>Low resistance = lower current consumption. |
| Further certification schemes and bodies:<br>LCIE, VDE, UL, CSA, BV Marine, EAC...   |  | No hassle exporting your machines all over the world.   |
| Up to 24 keying positions  |  | Identify and secure dedicated circuits.   |
| Auxiliaries<br>Pilots  |  | Signal & control transmission.<br>Electrical Interlocking.  |

## ECONOMY OF INSTALLATION: DUAL-VOLTAGE

With a single socket-outlet base (e.g.: 3 PNE - 230/400 V) it is possible to accommodate 3 different plugs:

- a 3 PNE - 400 V plug,
- a 3 PE - 400 V plug,
- a 1 PNE - 230 V.

This compatibility provides real savings on the installation of these sockets for the user.

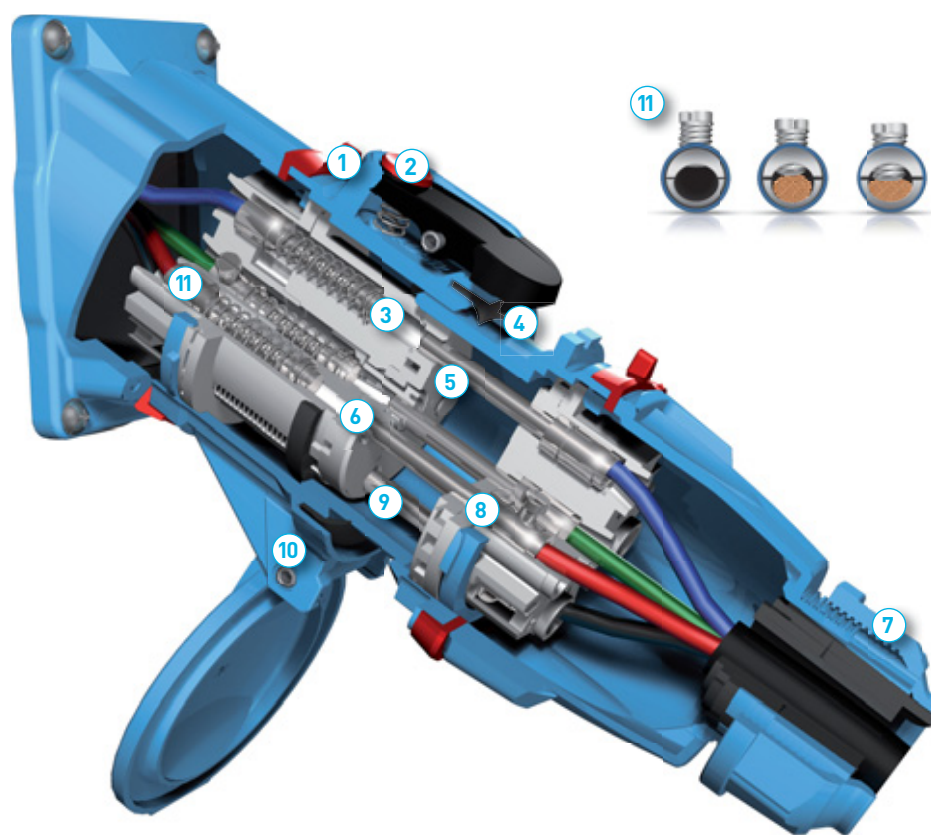




# DECONTACTOR™ TECHNOLOGY

## DESIGNED FOR EFFICIENCY AND SAFETY

The quality of the material, the design, the assembly and the inspection of each component are at the core of our know-how and the MARECHAL® technology. They each provide a precise function that optimizes the **performance, safety and sustainability** of our sockets and your installations.



**1** Gasket colour confirms voltage rating: **as per standards**

**2** Load break release button:  
**The plug ejects when acting on the latch**

**3** Arc chamber

**4** Automatic watertightness: **up to IP69**

**5** Safety shutter prevents unwanted access to contacts: **user safety (IP4X/IPXXD)**

**11** Spring-loaded terminals: **resistance to vibration and copper creep**

**6** Silver-nickel contacts:  
**excellent electrical conductivity and performance**

**7** Integral cable gland with adaptable range-take and cable anchoring: **up to IP69**

**8** Central earth contact:  
**no danger of mis-wiring**

**9** Silver-plated contacts:  
**anti-corrosion treatment**

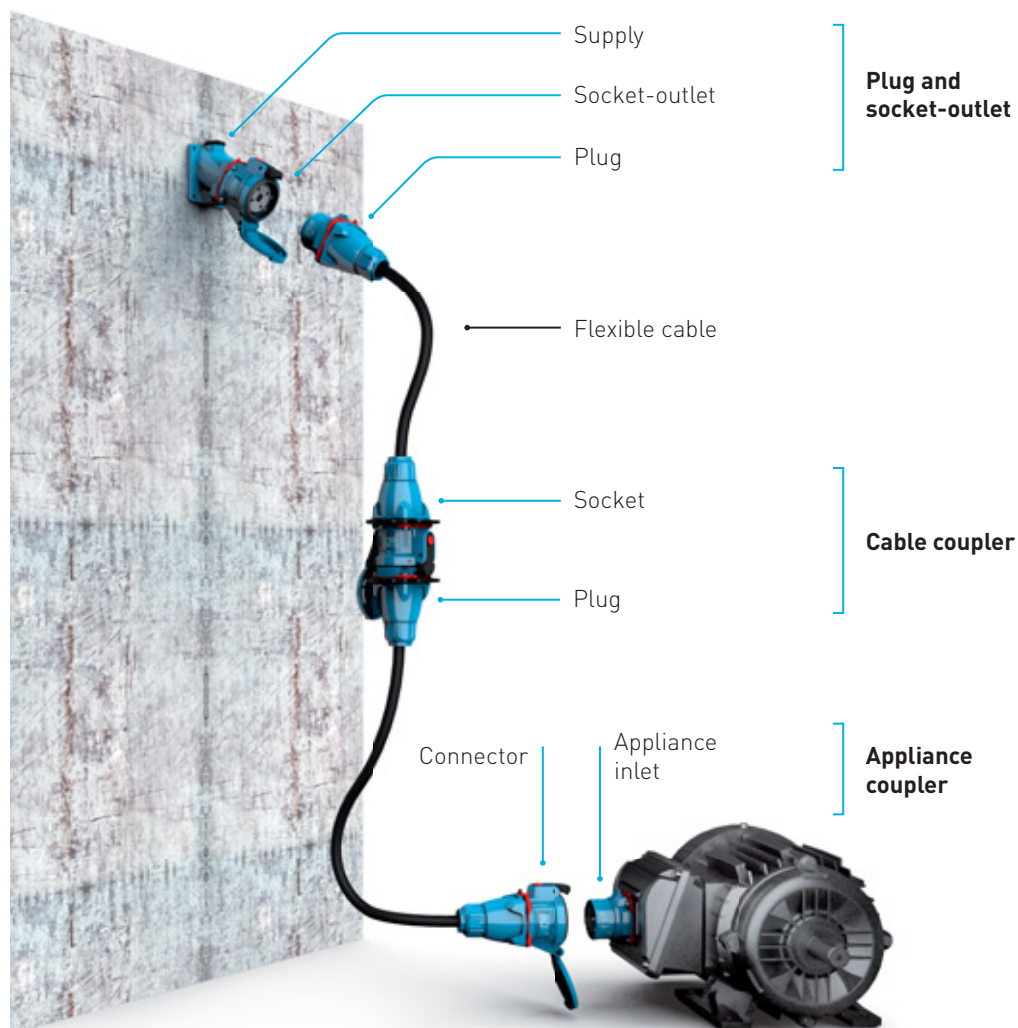
**10** Glass fibre reinforced polyester (GRP) or metal casing: **excellent mechanical strength**



## MARECHAL MODULARITY

|                      |               |                 |                      |                |                 |                 |                               |                          |
|----------------------|---------------|-----------------|----------------------|----------------|-----------------|-----------------|-------------------------------|--------------------------|
|                      |               |                 |                      |                |                 |                 |                               |                          |
|                      | Socket-outlet | Inclined socket | Wall mounting socket | Coupler socket | Plug            | Appliance inlet | Wall mounting appliance inlet | Inclined appliance inlet |
| Active part          | Socket-outlet | Socket-outlet   | Socket-outlet        | Socket-outlet  | Appliance inlet | Appliance inlet | Appliance inlet               | Appliance inlet          |
| Mounting accessories | /             | Inclined sleeve | Wall box             | Handles        | Handles         | /               | Wall box                      | Inclined sleeve          |

## IEC 60309-1 NORM TERMINOLOGY

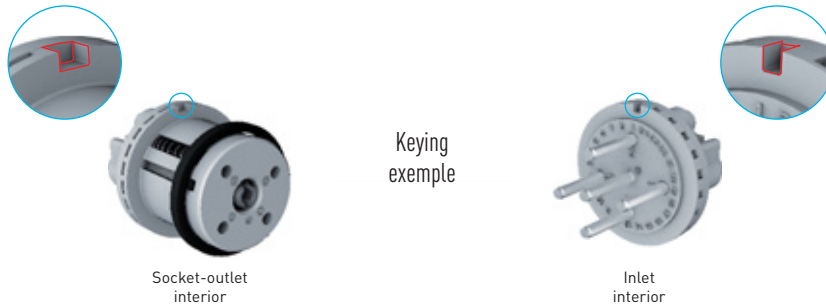




# DECONTACTOR™ TECHNOLOGY

## 24 POSSIBILITIES FOR VOLTAGE/FREQUENCY INTERLOCKING

The interlock device is associated with coding positions on the electrical connectors. It enables 24 different positions that are distinguished by voltage/frequency. This is achieved by machining the relevant 'notch' on the coding ring. The colours in the rows of the table below correspond to the international voltage standard. These are the colours of the rings and labels on the bases and connectors.



|                        |           |                     |  | Keying positions |                        |          |  |  | Keying positions |
|------------------------|-----------|---------------------|--|------------------|------------------------|----------|--|--|------------------|
| 20-24 V AC             | AC        | 2P, 2P+N<br>3P, 3+N |  | 08               | 220-250 V              | AC       | 1P+N+E   |  | 01               |
| 20-24 V AC             | AC 60 Hz  | 2P, 2P+N<br>3P, 3+N |  | 02               | 220-250 V<br>380-440 V | AC       | 2P+N+E,<br>3P+N+E                              |  | 01               |
| 25-28 V                | AC        | 2P, 2P+N<br>3P, 3+N |  | 06               | 220-250 V              | AC 60 Hz | 2P+E, 3P+E                                     |  | 07               |
| 40-48 V                | AC        | 2P, 2P+N<br>3P, 3+N |  | 13               | 220-250 V              | DC       | 2P+E   |  | 20               |
| 110-125 V              | AC 60 Hz  | 1P+N+E              |  | 07               | 255-277 V              | AC 60 Hz | 1P+N+E   |  | 04               |
| 110-125 V<br>220-250 V | AC 60 Hz  | 2P+N+E,<br>3P+N+E   |  | 07               | 255-277 V<br>440-480 V | AC 60 Hz | 2P+N+E,<br>3P+N+E                              |  | 04               |
| 110-130 V              | AC        | 1P+N+E              |  | 03               | 347 V                  | AC 60 Hz | 1P+N+E   |  | 14               |
| 110-130 V<br>190-230 V | AC        | 2P+N+E,<br>3P+N+E   |  | 03               | 347 V<br>600 V         | AC 60 Hz | 2P+N+E,<br>3P+N+E                              |  | 14               |
| 110-130 V              | DC        | 2P+E                |  | 10               | 380-400 V<br>660-690 V | AC       | 2P+N+E,<br>3P+N+E                              |  | 19               |
| 115-127 V              | AC 200 Hz | 1P+N+E              |  | 12               | 380-440 V              | AC       | 2P+E, 3P+E                                     |  | 01               |
| 115-127 V<br>200-220 V | AC 200 Hz | 2P+N+E,<br>3P+N+E   |  | 12               | 380-440 V              | AC       | 1P+N+E   |  | 19               |
| 115-127 V              | AC 400 Hz | 1P+N+E              |  | 11               | 440-480 V              | AC 60 Hz | 2P+E, 3P+E                                     |  | 04               |
| 115-127 V<br>200-220 V | AC 400 Hz | 2P+N+E,<br>3P+N+E   |  | 11               | 480-500 V              | AC       | 2P+E, 3P+E                                     |  | 09               |
| 120-127 V              | AC 60 Hz  | 1P+N+E              |  | 16               | 600 V                  | AC 60 Hz | 2P+E, 3P+E                                     |  | 14               |
| 120-127 V<br>208-220 V | AC 60 Hz  | 2P+N+E,<br>3P+N+E   |  | 16               | 660-690 V              | AC       | 2P+E, 3P+E                                     |  | 19               |
| 190-230 V              | AC        | 2P+E, 3P+E          |  | 03               | 1 000 V                | AC       | 1P+N+E,<br>2P+E,<br>2P+N+E,<br>3P+E,<br>3P+N+E |  | 22               |
| 200-220 V              | AC 200 Hz | 2P+E, 3P+E          |  | 12               |                        |          |  |  |                  |
| 200-220 V              | AC 400 Hz | 2P+E, 3P+E          |  | 11               |                        |          |  |  |                  |
| 208-220 V              | AC 60 Hz  | 2P+E, 3P+E          |  | 16               |                        |          |  |  |                  |

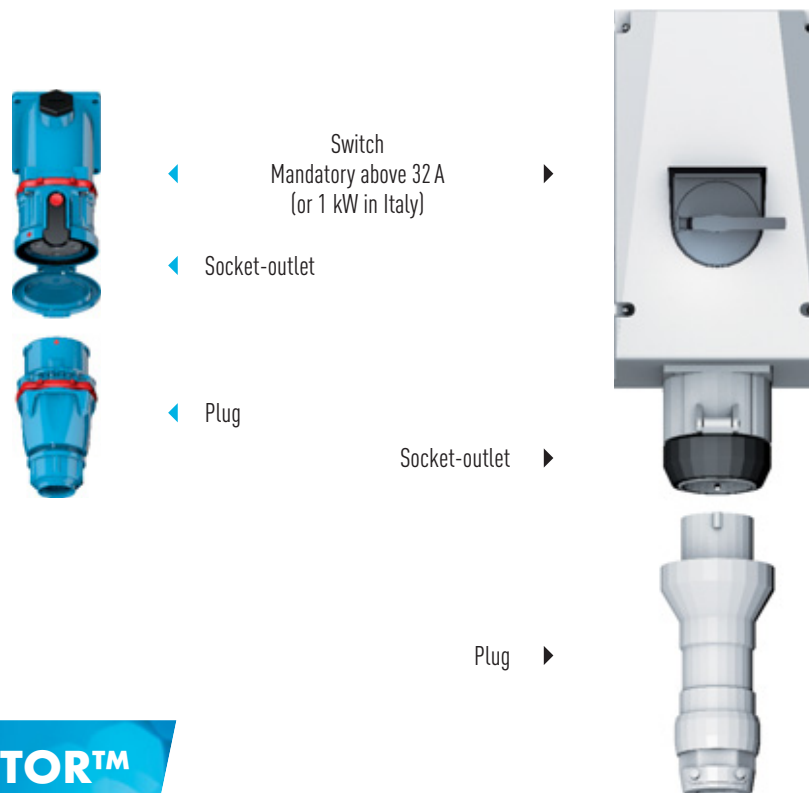
AC = 50/60 Hz



## DECONTACTOR™ socket outlet + integrated switch

## ALTERNATIVE SOLUTION Industrial socket with external switch

63 A product (identical scale)

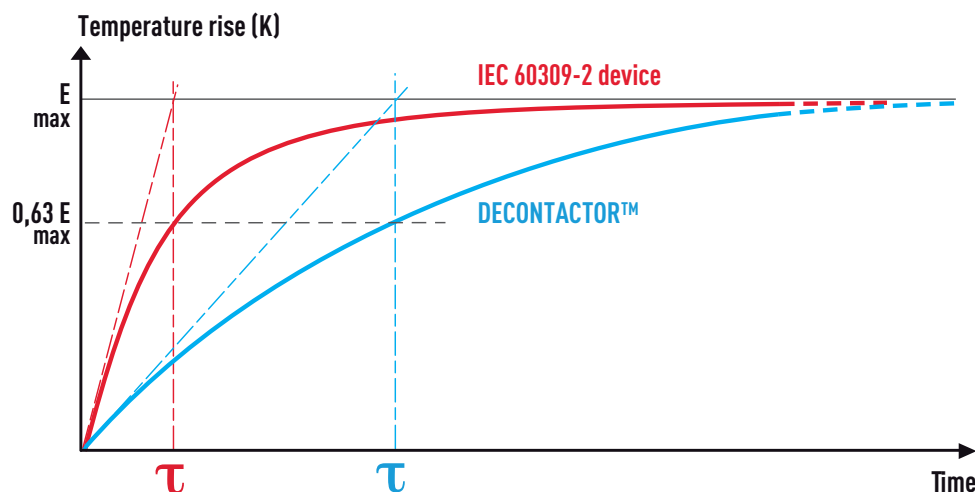


## DECONTACTOR™

### ADVANTAGES

- Ease of installation : no pilot conductor or upstream contactor.
- No compulsory switch required, even beyond 32 A.
- More compact.
- Cable extension possibility.

### COMPARATIVE HEATING CURVE

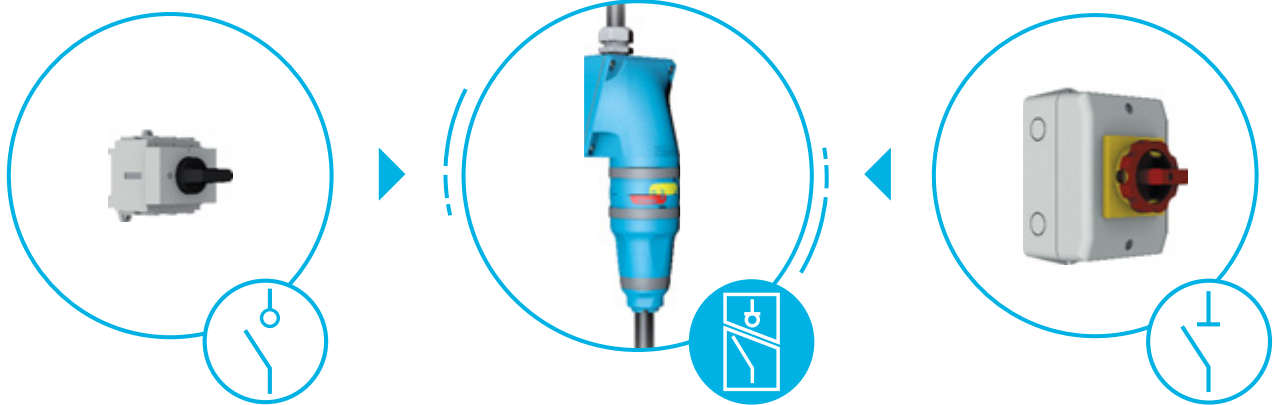


- Thanks to their low internal resistance, our DECONTACTOR have a long time constant: they slowly reach the equilibrium temperature and can withstand temporary overcurrent with no excessive heating.
- Electrical appliances which comply with IEC 60309-2 will reach critical temperature much quicker in case of overcurrent.



# EVO TECHNOLOGY

A DUAL FUNCTION FOR A SINGLE PRODUCT



SWITCH

THE FIRST  
SEPARABLE SWITCH-  
DISCONNECTOR

DISCONNECTOR

EVO

CLEAR BREAKING AND SEPARABILITY FOR 100% VISUAL ISOLATION

IP66/IP67/IP69 WATERPROOFING IN THE ON AND OFF POSITIONS

COMPACT DESIGN

STANDARD PADLOCKING

ELECTRICAL ENDURANCE > 15 000 CYCLES







## SEPARABLE SWITCH-DISCONNECTOR

Cage terminals improving conductivity and vibration resistance

Double break  
AC-22A/AC-23A (18,5 kW)  
AC-3 (11 kW)

Colour Coded terminals  
1, 2, 3, 4/N, 5, 6

Ergonomic handle  
Screwless fixings

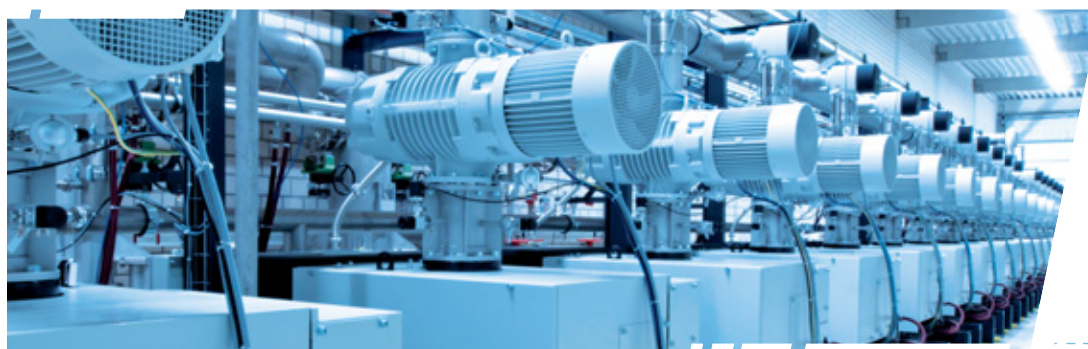
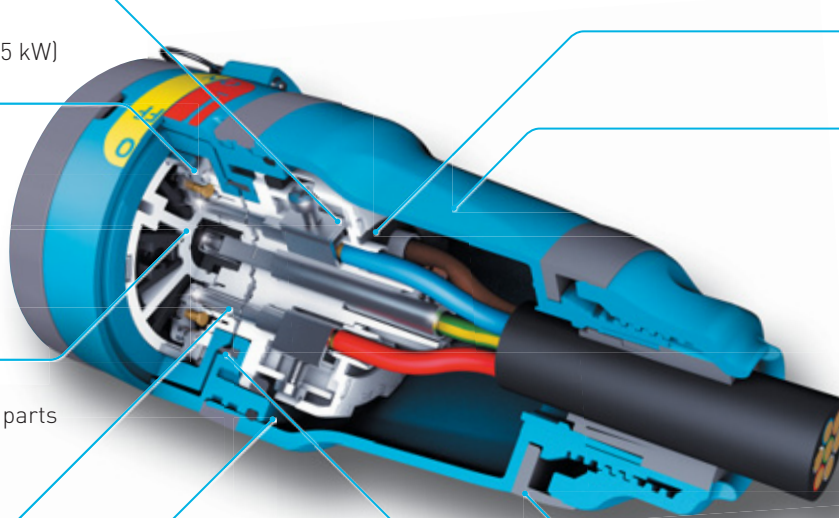
IP4X safety shutter  
Protection from live parts

Contacts on silver alloy tips  
(anti-corrosion treatment)

Protective cover

Glass reinforced poly enclosure

IP66/IP67/IP69 automatic waterproofing  
in ON and OFF positions



# STANDARDS AND TECHNOLOGY

In some environments, the occurrence of potentially explosive atmospheres may result from the presence of combustible gases, vapors, aerosols, or dusts.  
 In case of ignition, the effects can be destructive (devastating) for both workers and facilities.

## KNOW ITS ATMOSPHERE

In the workplace, explosive atmospheres may occur due to the presence of:

- gases and vapors: fuels for heating or drying installations, storage of combustible gases, vapors of flammable solvents stored or handled ;
- combustible dusts likely to form explosive clouds within the air during routine operations (loading or unloading of powdery products, dust removal from filters...) such as flour, sugar, wood dusts, cereal dusts, metal dusts...

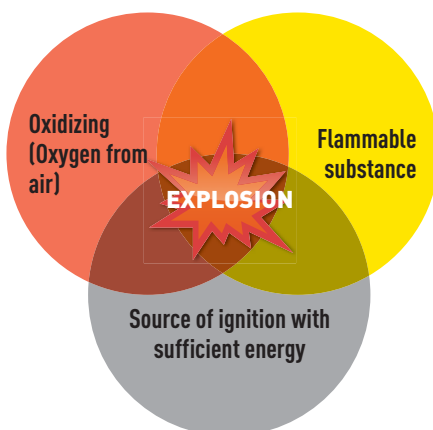
### From potentially explosive atmosphere to explosion

An explosion results from:

- a mixture of air (oxidizing),
- combustible substances in sufficient proportions (flammable substance),
- an ignition source: high temperature, electrical arcing, static electricity, lightning, flames,
- and finally ideal atmospheric conditions (pressure, temperatures, etc...).

This is how we refer to the explosion triangle.

Triangle of explosion



### Identification of Substances

The danger of an explosive atmosphere depends on its concentration of flammable substances, but also on the characteristics of these substances. It is necessary to divide these substances according to two classifications of hazardous properties:

1. gas groups and dust groups,
2. self-ignition temperature (temperature classes for gases).

The lower the energy it is necessary to ignite a substance, the more dangerous the substance is said to be.

### GAS GROUP SUBDIVISIONS

|               |           |     |
|---------------|-----------|-----|
| DANGEROUSNESS | Propane   | IIA |
|               | Ethylene  | IIB |
|               | Acetylene | IIC |
|               | Hydrogen  | IIC |

Group IIB classified devices are suitable for applications requiring Group IIA devices. Similarly, group IIC classified devices are suitable for applications requiring Group IIA or Group IIB devices.

### DUST GROUP SUBDIVISIONS

|  |      |
|--|------|
| Combustible particles suspended in the air | IIIA |
| Non-conductive dust                        | IIIB |
| Conductive dust                            | IIIC |

Group IIIB classified devices are suitable for applications requiring Group IIA devices. Similarly, group IIIC classified devices are suitable for applications requiring Group IIIA or Group IIIB devices.

The lower the ignition temperature, the more dangerous the substance is. Therefore, equipment are classified from T1 to T6 according to the **maximum surface temperature** (or temperature of the hottest point depending on the type of protection).

Equipment classified T6 is suitable for an atmosphere with an ignition temperature of T5, T4, T3, T2 or T1.

Note: the ignition temperature of a gas is not related to its danger. Even though hydrogen is an extremely explosive gas (necessary energy to ignite hydrogen atmosphere is about 10 times less than a natural gas atmosphere), it is T1 classified as its self-ignition temperature is very high (560 °C).

| MAXIMUM SURFACE TEMPERATURE |                   |                  |
|-----------------------------|-------------------|------------------|
|                             | TEMPERATURE CLASS | MAXIMUM VALUE °C |
| DANGEROUSNESS               | T1                | 450 °C           |
|                             | T2                | 300 °C           |
|                             | T3                | 200 °C           |
|                             | T4                | 135 °C           |
|                             | T5                | 100 °C           |
|                             | T6                | 85 °C            |

| EXAMPLES OF IGNITION TEMPERATURES |                       |                      |
|-----------------------------------|-----------------------|----------------------|
|                                   | FLAMMABLE SUBSTANCES  | IGNITION TEMPERATURE |
| Gaz/Vapeur                        | Hydrogène             | 560 °C (T1)          |
|                                   | Méthane               | 537 °C (T1)          |
|                                   | Ethylène              | 425 °C (T2)          |
|                                   | Acétylène             | 305 °C (T2)          |
|                                   | Kérosène              | 210 °C (T3)          |
|                                   | Ether                 | 175 °C (T4)          |
| Poussières/fibres                 | Disulphite de Carbone | 95 °C (T6)           |
|                                   | Fibre de papier       | 570 °C (T1)          |
|                                   | Aluminium             | 560 °C (T1)          |
|                                   | Blé                   | 510 °C (T1)          |
|                                   | Bois                  | 500 °C (T1)          |
|                                   | Sucre                 | 490 °C (T1)          |
|                                   | Polyéthylène          | 440 °C (T1)          |

## IDENTIFY ITS ZONES

### HAZARDOUS AREAS



Certification according the European Directive 2014/34/EU related potentially explosive atmospheres

IECEx

Certification according international standards related to equipment used in hazardous areas

| Presence of potentially explosive atmosphere | Permanent | Occasional | Rare         |
|--|-----------|------------|--------------|
| Zoning applicable to gas and vapors          | Zone 0    | Zone 1     | Zone 2       |
| Choice of equipment protection level         | Ga        | Ga - Gb    | Ga - Gb - Gc |
| Zoning applicable to dusts and fibers        | Zone 20   | Zone 21    | Zone 22      |
| Choice of equipment protection level         | Da        | Da - Db    | Da - Db - Dc |

MARECHAL® offer.

# STANDARDS AND TECHNOLOGY

## AVOID IGNITION

Products intended to operate in potentially explosive atmosphere must :

- **Prevent the formation of an arc** likely to cause an explosion or contain inflammation,
- **Resist shocks**, to a higher degree than usually is required for normal industrial products,
- **Not to be likely to accumulate electrostatic charges that may generate a spark**,
- **Have a maximum temperature below the self-ignition temperature of the surrounding atmosphere.**

From the design of the equipment, it is necessary to consider the type(s) of protection adapted to the equipment intended to be installed in potentially explosive atmospheres by acting on one of the following actions:

- **deletion of the potentially explosive atmosphere**
- **deletion of the source of ignition**,
- **non-propagation of ignition.**

The design and verification rules for these types of protection are regulated by international standards and the devices are identified by letters (see table).

| ACTION  | DESCRIPTION OF TYPE OF PROTECTION  | APPLICABLE STANDARD | IDENTIFICATION | APPLICATION     |
|---|--|---------------------|----------------|-----------------|
| DELETION OF THE POTENTIALLY EXPLOSIVE ATMOSPHERE                                  | Pressurized enclosure: a protective gas maintains a pressure higher than the one of the external atmosphere.         | EN/IEC 60079-2      | Ex pxb         | Zone 1, Zone 21 |
|   |  |                     | Ex pyb         |                 |
|   |  |                     | Ex pzc         | Zone 2, Zone 22 |
|   | Restricted breathing enclosure: in normal operation, to restrict the entry of gases, vapours and mists               | EN/IEC 60079-15     | Ex nR          | Zone 2          |
|   | Liquid immersion : explosive gas atmosphere which may be above the liquid or outside the enclosure cannot be ignited | EN/IEC 60079-6      | Ex ob          | Zone 1          |
|   |  |                     | Ex oc          | Zone 2          |
|   | Encapsulated: hazardous parts completely enclosed in a resin   | EN/IEC 60079-18     | Ex ma          | Zone 0, Zone 20 |
|   |  |                     | Ex mb          | Zone 1, Zone 21 |
|   |  |                     | Ex mc          | Zone 2, Zone 22 |
|   | Hermetically-sealed device: in normal operation, device which cannot be opened and is sealed                         | EN/IEC 60079-15     | Ex nC          | Zone 2          |
| Dust ignition protection by enclosure: limitation of dusts ingress (IP5X or IP6X) | EN/IEC 60079-31  | Ex ta               | Zone 20        |                 |
|   |  | Ex tc               | Zone 22        |                 |

| ACTION  | DESCRIPTION OF TYPE OF PROTECTION   | APPLICABLE STANDARD | IDENTIFICATION | APPLICATION     |
|---|---|---------------------|----------------|-----------------|
| DELETION OF THE SOURCE OF IGNITION  | Increased safety: measures to prevent excessive temperature and occurrence of arcs or sparks  | EN/IEC 60079-7      | Ex eb          | Zone 1          |
|   |   |                     | Ex ec          | Zone 2          |
|   | Intrinsically safe: limitation of electrical energy at a level below that which may cause ignition  | EN/IEC 60079-11     | Ex ia          | Zone 0, Zone 20 |
|   |   |                     | Ex ib          | Zone 1, Zone 21 |
|   |   |                     | Ex ic          | Zone 2, Zone 22 |
| Non-incendive component: in normal operation, component having contacts for making or breaking a specified circuit in which the mechanism is constructed so that the component is not capable of causing ignition | EN/IEC 60079-15   | Ex nC               | Zone 2         |                 |
| NON-PROPAGATION OF IGNITION   | Flameproof enclosure: the ignition can occur inside the enclosure but can be transmitted to the external atmosphere.                      | EN/IEC 60079-1      | Ex da          | Zone 0          |
|   |   |                     | Ex db          | Zone 1          |
|   |   |                     | Ex dc          | Zone 2          |
|   | Powder filling: the parts capable of igniting an explosive gas atmosphere completely surrounded by filling material (example glass beads) | EN/IEC 60079-5      | Ex q           | Zone 1          |

Other types of protection exist: Protection of equipment and transmission systems using optical radiation (op pr, op is,...), ventilated rooms (v),...  
 Non-electrical equipment can also create potential sources of ignition and to address this problem, there are types of protection for these devices

# STANDARDS AND TECHNOLOGY

## FOCUS ON MAIN TYPES OF PROTECTION

### Flameproof enclosure: Ex da, db or dc

Flameproof equipment is an enclosure in which devices/components capable of igniting an explosive gas atmosphere are enclosed.

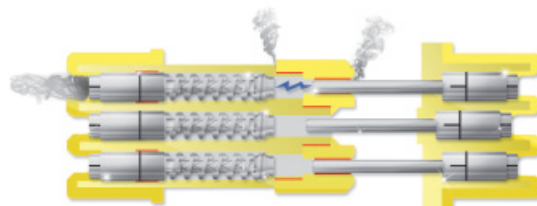
Flameproof enclosures must:

- contain an internal explosion without casing deformation (withstand of explosion pressure),
- ensure that ignition is not transmitted to the surrounding atmosphere,
- have an external temperature lower than the self-ignition temperature of the atmosphere.



The construction parameters for flameproof equipment depending on the gas group for which the equipment is intended, are essential in order to meet all three criteria:

- type of flamepath : thread, flat surface, sealed path, cylindrical,...
- the length of flamepath,
- the space between the 2 surfaces of the flamepath (=gap),
- thickness of walls.



In order to guarantee the properties of the types of protection, it is necessary to:

- check the tightness of all screws for the closing of the lids and cable entries,
- check the screwing of blanking devices, if present,
- never modify the equipment.



Example of an explosion-proof enclosure with a flat flame passage.

### Increased safety: Ex eb or ec

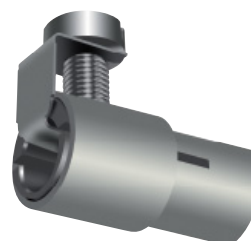
Increased safety equipment must, by design and with a high level of safety, provide the possibility of excessive temperature and occurrence of arcs or sparks during normal operation or under specified abnormal conditions.

In difference to flameproof enclosure, all devices or components installed in the increased safety enclosure must, in advance, be ATEX/IECEx certified for the appropriate application (or assessed with the enclosure) and must also be listed in the certificate.



These enclosures must be at least IP54. The electrical parameters are defined by the temperature rise and the clearances and creepage distances, which are different than the ones defined in industrial standards. The quality of the connection is essential in the protection of the increased safety equipment.

MARECHAL sockets are equipped with elastic connections terminals with thread protection tabs, in order to prevent the deterioration of the threads and to ensure a uniform pressure on the strands (heating control).



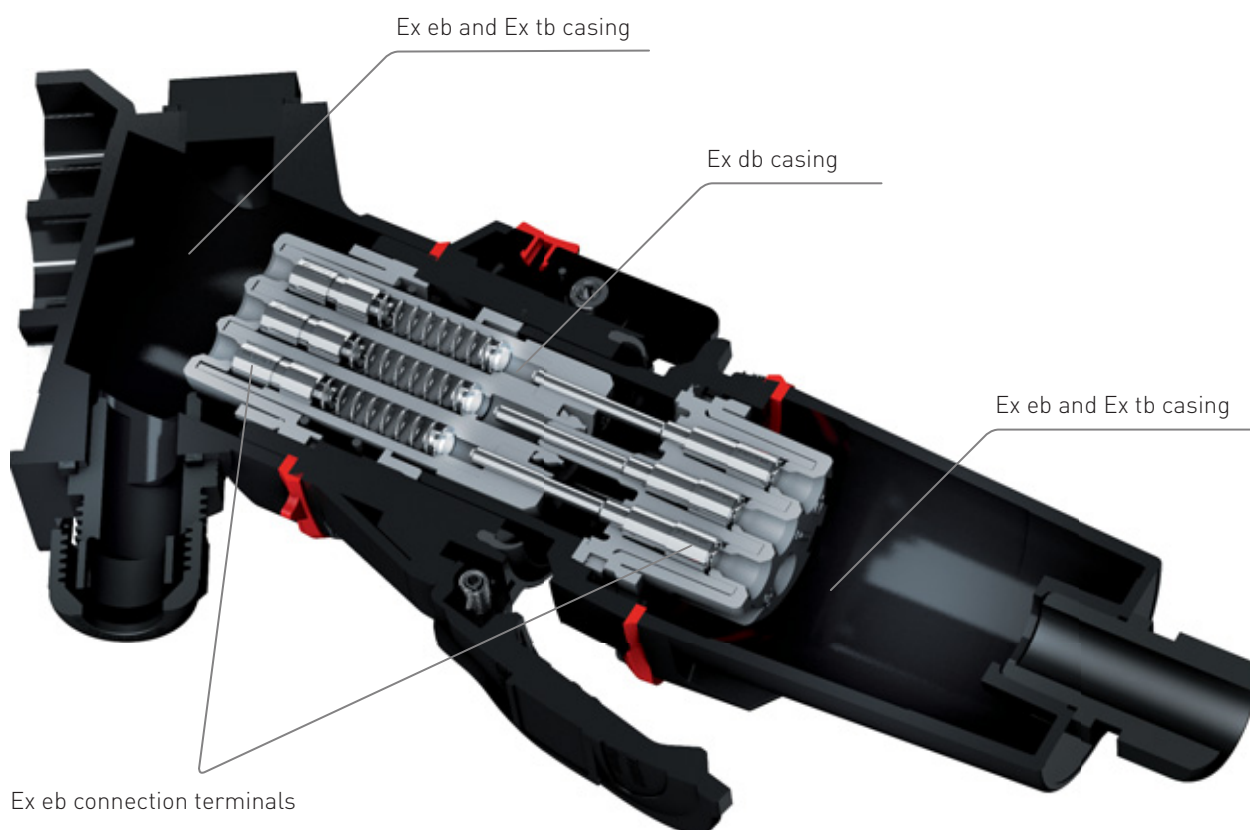
Terminals for connecting to a MARECHAL® Ex socket.

**Combinaison: Ex db eb/db eb mb**

To design safe equipment that can be installed in a potentially explosive atmosphere, it is essential to apply the most appropriate type of protection. The DECONTACTOR™ combines several modes of protection.

Example of an ATEX and IECEx certified DECONTACTOR™

⚠ II 2 G D Ex db eb IIC T6 ou T5 Gb  
Ex tb IIIC T70 °C ou T90 °C Db





# ITEM REFERENCING

## 7 DIGITS FOR BASIC PRODUCTS + 3 DIGITS FOR SPECIALS PRODUCTS

Main option combination suffixes page 317.

| 1 <sup>ST</sup> DIGIT  | 2 <sup>ND</sup> DIGIT  | 3 <sup>RD</sup> DIGIT  |
|--|--|--|
| ▼  | ▼  | ▼  |
| <b>PRODUCT LINE</b>  | <b>CASING</b>  | <b>RATING</b>  |
| <ul style="list-style-type: none"> <li>0 = PN - PNC</li> <li>1 = DN</li> <li>2 = DX - DXN - DXA</li> <li>3 = DS</li> <li>4 = PF - SP - CS- SPeX</li> <li>5 = ACCESSORIES</li> <li>6 = DSN</li> <li>8 = EVO</li> <li>9 = BOXES</li> </ul> | <ul style="list-style-type: none"> <li><b>IEC :</b> 1 = BLUE POLY</li> <li>5 = BLACK POLY</li> <li>9 = METAL</li> <li><b>UL :</b> 3 = BLUE POLY</li> <li>7 = METAL</li> <li>6 = BLACK METAL</li> </ul> | <ul style="list-style-type: none"> <li>16 A E = PNC</li> <li>30 A N/2 = PN</li> <li>20 A 8</li> <li>30 A 1</li> <li>50 A 3</li> <li>90 A 6</li> <li>30 A 1</li> <li>50 A 3</li> <li>90 A 6</li> <li>150 A 9</li> <li>250 A 2</li> <li>400 A 4</li> <li>20 A 1</li> <li>32 A 3</li> <li>63 A 6</li> <li>315 A 3</li> <li>400 A 4</li> <li>500 A 5</li> <li>600 A 6</li> <li>40 A 4 = EVO</li> <li>500 A 3 = CS1000</li> <li>680 A 4 = SPeX</li> <li>750 A 4 = SP</li> </ul> |



OUR CONFIGURATOR IS AVAILABLE ON OUR WEBSITE  
[marechal.com/configurator](http://marechal.com/configurator)



4<sup>TH</sup> DIGIT

5<sup>TH</sup> & 6<sup>TH</sup> DIGIT

7<sup>TH</sup> DIGIT

TYPE

**Male**

- 1 = Plug (with handle)
- 6 = Wall mounting appliance inlet (with box)
- 8 = Appliance inlet (male) semi-recessed
- 9 = Inclined appliance inlet (with sleeve)

**Female**

- 0 = Wall mounting socket (with box)
- 3 = Coupler socket (with handle)
- 7 = Inclined socket (with sleeve)
- 4 = Socket-outlet (female) semi-recessed

VOLTAGE

|      |                   |        |
|------|-------------------|--------|
| 08 = | 20-24 V           | AC     |
| 06 = | 25-28 V           | AC     |
| 13 = | 40-48 V           | AC     |
| 03 = | 110-130/190-230 V | AC     |
| 01 = | 220-250/380-440 V | AC     |
| 09 = | 480-500 V         | AC     |
| 19 = | 400/690 V         | AC     |
| 22 = | 1 000 V           | AC     |
| 02 = | 20-24 V           | 60 Hz  |
| 16 = | 120-208 V         | 60 Hz  |
| 07 = | 110-125/220-250 V | 60 Hz  |
| 04 = | 255-277/440-480 V | 60 Hz  |
| 14 = | 347-600 V         | 60 Hz  |
| 12 = | 115-127/200-220 V | 200 Hz |
| 11 = | 115-127/200-220 V | 400 Hz |
| 10 = | 110-130 V         | DC     |
| 20 = | 220-250 V         | DC     |
| 03 = | 220-250 V         | AC     |
| 01 = | 380-480 V         | AC     |
| 05 = | 500-690 V         | AC     |

Other voltages and frequencies are available on request, see table page 14.

POLARITY

**Alternative current (AC)**

- 5 = 1P+N+E
- 3 = 3P+E
- 4 = 4P+E (EVO)
- 7 = 3P+N+E
- D = 1P+N
- A = 2P (L1, L2)
- E = 2P (L1, L3)
- G = 2P+N
- B = 3P
- C = 3P+N
- L = 2P+2P
- H = 1P+E
- 2 = 2P+E
- 6 = 2P+N+E
- 6 = 6P+E (EVO)
- M = 2P+2P+E

**Direct current (DC)**

- 8 = 2P+E Double breaking point
- 9 = 2P+E
- J = 3P (-/+/0 V)
- K = 3P+E (-/+/0 V/T)
- N = 2P+2P
- P = 2P+2P+E
- Z = 2P

## MAIN FEATURES

40 A

# EVO SEPARABLE SWITCH-DISCONNECTOR



## KEY FEATURES

- Up to 6 poles + earth
- Smooth sleek design, no visible fastening screws
- Surface mounting dimension restricted to 120 mm
- IP4X on supply side
- IP66/IP67/IP69 tightness in ON and OFF positions when supply and load parts are connected, including when separated using plug caps
- Visible and distinctly obvious breaking
- Manœuvring speed independent of the operator's applied force
- Padlockable in OFF position

### A UNIQUE PRODUCT

**EVO40** is a manually operated separable switch-disconnector, with configurations from 2 to 6 poles + Earth.

Certified by LCIE BUREAU VERITAS to IEC/EN 60947-1 and 60947-3 standards. **EVO40** allows for frequent making and breaking on load, while ensuring safe isolation of any low voltage electrical circuit: resistive (AC-21A), mixed resistive/inductive (AC-22A) or inductive (AC-23A). **EVO40** also allows for on load making & breaking of all electric motors (AC-3), as per IEC/EN 60943-3 standard requirements.

Equipped with self-cleaning silver alloy contact tips and a unique and patented **mechanism**, our new technological concept combines the functionalities of a switch and an isolator.

The design facilitates successive double breaking pole by pole, which ensures optimal safety during any maintenance operation.

### EVO FACILITATES THE COMPLIANCE OF:

- electrical machinery to the "Machinery" European Directive on isolating device, and to standards EN 12100 and EN 60204-1,
- electrical installations to installation standards: IEC/HD 60364 and NF C 15-100 (French) or other national transposition.

Once the supply and load parts have been separated, a safety shutter prevents any risk of electric shock (IP4X/IPXXD). The **robust mechanism** allows **distinctly and visibly separated** disconnection and separation even in the event of overload currents.

Thanks to the compact design, **EVO40** can be configured to be panel-mounted or flush-mounted on a wall box with varying angles. Other standard features include: **padlockable** accessory, hidden screws, and a smooth, crevice-free design.

The quality of **EVO40** materials offers flexibility in the most demanding of applications in terms of hygiene, robustness and reliability (IP66/IP67/IP69 and IK09): Halogen-free; UL94-Standard compliant self-extinguishing materials; resistant to hot vapours (tropicalisation as per IEC 60068-2) as well as UVs (class f1), corrosion and chemical agents.

### EVO is certified by LCIE BUREAU VERITAS to standard :

- EC/EN 60947-1/-3/: Low-voltage switchgear and controlgear - Part 3: Switches, disconnectors, switch-disconnectors and fuse-combination units.



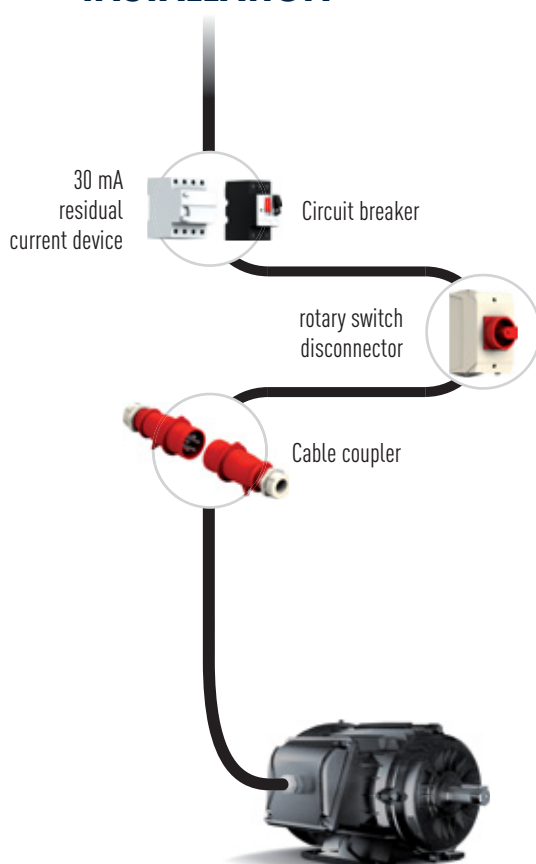
## OUR CERTIFICATIONS

EVO is a switch-disconnector with visible and fully apparent breaking. As such, it is not subject to the obligation of a 30 mA residual current device (RCD).

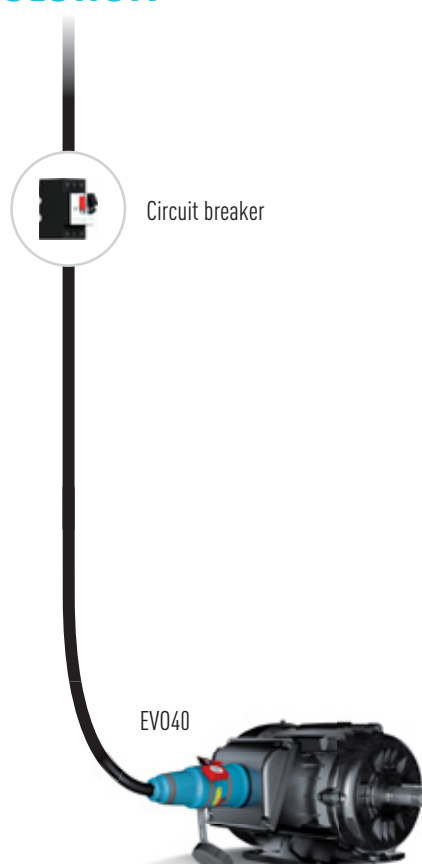
EVO allows:

- continuity of service: no unwanted tripping, no production loss;
- space saving and cost reduction;
- securing and simplifying interventions: for maintenance or replacement of an equipment, EVO can be separated in two parts, by means of a tool, and padlocked. When separated, EVO has an IP4X/IPXXD rating. It is therefore not necessary to use authorized personnel or protection procedures.

### STANDARD INSTALLATION



### EVO40 SOLUTION



## MAIN FEATURES

40 A

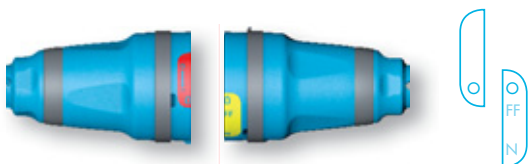
# EVO SEPARABLE SWITCH-DISCONNECTOR



## LOAD BREAK ROTARY SWITCH

- Simple operation
- Automatic IP in ON and OFF positions

### SEPARATED POSITION



### POSITION 00

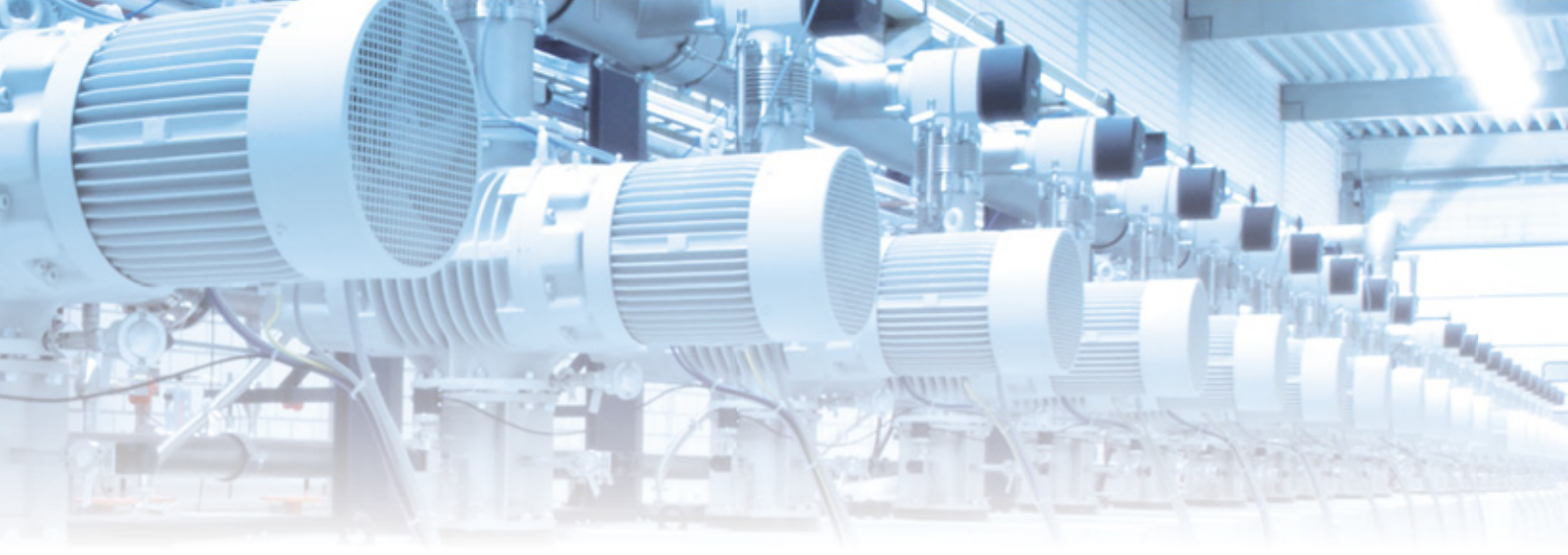


### POSITION OFF



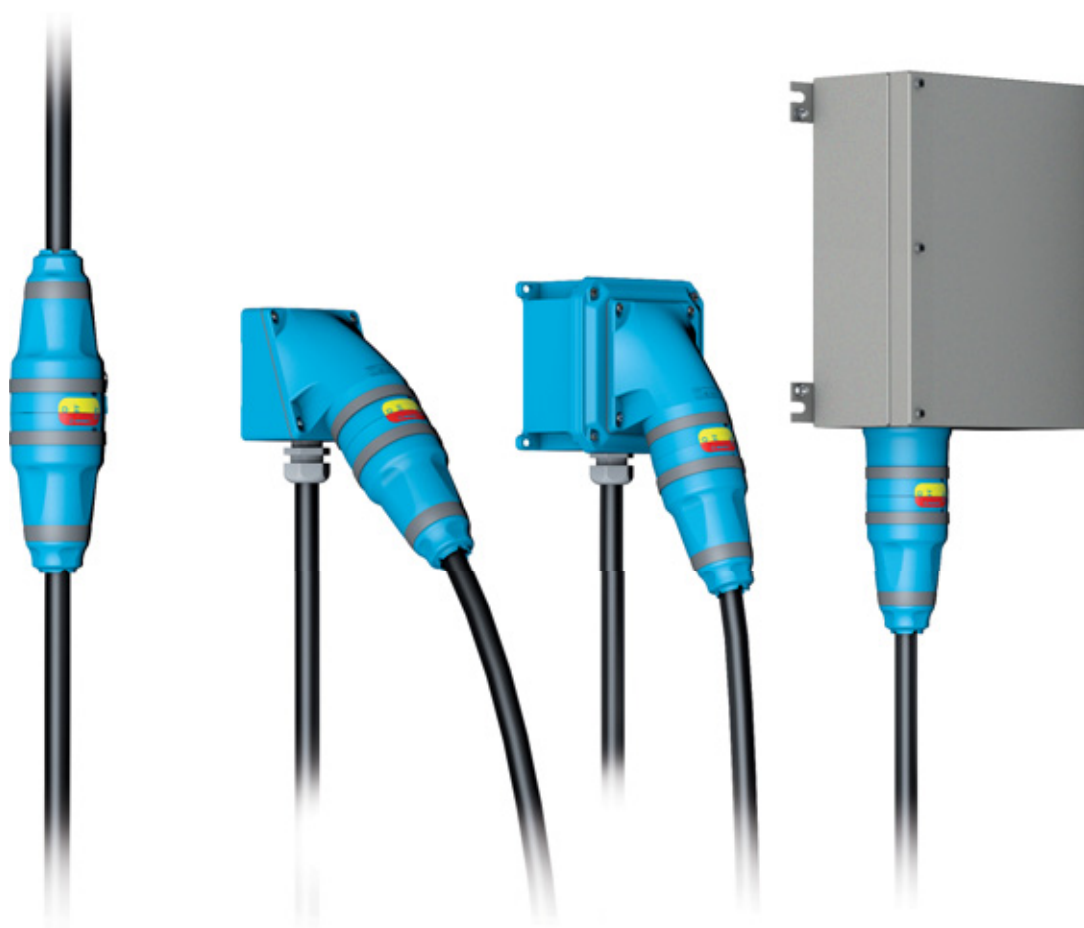
### POSITION ON





## POSSIBLE INSTALLATIONS

- Inclined sleeve or wall box
- Inclined sleeve on box
- Straight sleeve under box
- Coupler



# 6 POLES

18,5 kW

690 V  
U<sub>MAXI</sub>

## SEPARABLE SWITCH-DISCONNECTOR EVO40



IP66  
IP67/IP69



2,5-10 mm<sup>2</sup> (1)  
2,5-16 mm<sup>2</sup> (2)



GRP



IK09



-25 °C  
+60 °C



See table



60947-1/-3

(1) Flexible wiring (min.-max.).  
(2) Stranded wiring (min.-max.).



A padlock key is provided with each source

### SWITCHING CAPACITY

| kW/V            | 230 V  | 400 V   | 690 V   |
|-----------------|--------|---------|---------|
| AC-21 A/AC-22 A | 40 A   | 40 A    | 40 A    |
| AC-23 A         | 11 kW  | 18,5 kW | 18,5 kW |
| AC-3            | 7,5 kW | 11 kW   | 11 kW   |


### OTHER FEATURES

|   |                |
|---|----------------|
| Electrical Load cycles  | 15 000 cycles* |
| U <sub>i</sub> : Rated insulation voltage   | 1 000 V AC     |
| U <sub>max</sub> : Operational voltage  | 690 V          |
| I <sub>the</sub> : Conventional enclosed thermal current                                  | 40 A           |
| U <sub>imp</sub> : Rated impulse withstand voltage  | 8 kV           |
| I <sub>cc</sub> : Rated short-circuit breaking current capacity with gG fuses and aM fuse | 100 kA         |
| I <sub>cm</sub> : Rated short-circuit making current capacity                             | 1 kA           |

\* In AC-23A 690 V AC/40A service operation.

# REFERENCES



| Voltage                             | Poles    | Supply   | Load  | Straight sleeve | 70° inclined sleeve | Handle <sup>(1)</sup> | 90° wall box <sup>(2)</sup> |
|-------------------------------------|----------|----------|---|-----------------|---------------------|-----------------------|-----------------------------|
| 200-250 V AC                        | 2P+E     | 8144032  | 8148032   | 51LM0           | 51LM7               | 51LP0D21              | 51LC9000                    |
|                                     | 3P+E     | 8144033  | 8148033   |                 |                     |                       |                             |
|                                     | 4P+E     | 8144034  | 8148034   |                 |                     |                       |                             |
|                                     | 6P+E     | 8144036  | 8148036   |                 |                     |                       |                             |
| 380-480 V AC                        | 2P+E     | 8144012  | 8148012   | 51LM0           | 51LM7               | 51LP0D21              | 51LC9000                    |
|                                     | 3P+E     | 8144013  | 8148013   |                 |                     |                       |                             |
|                                     | 4P+E     | 8144014  | 8148014   |                 |                     |                       |                             |
|                                     | 6P+E     | 8144016  | 8148016   |                 |                     |                       |                             |
| 500-690 V AC                        | 2P+E     | 8144052  | 8148052   | 51LM0           | 51LM7               | 51LP0D21              | 51LC9000                    |
|                                     | 3P+E     | 8144053  | 8148053   |                 |                     |                       |                             |
|                                     | 4P+E     | 8144054  | 8148054   |                 |                     |                       |                             |
|                                     | 6P+E     | 8144056  | 8148056   |                 |                     |                       |                             |
| Umax 690 V AC                       | 2P+E     | 8144122  | 8148122   | 51LM0           | 51LM7               | 51LP0D21              | 51LC9000                    |
|                                     | 3P+E     | 8144123  | 8148123   |                 |                     |                       |                             |
|                                     | 4P+E     | 8144124  | 8148124   |                 |                     |                       |                             |
|                                     | 6P+E     | 8144126  | 8148126   |                 |                     |                       |                             |
| Load side cap IP66/IP67 padlockable | Included | 814A426G |  |                 |                     |                       |                             |

(1) Gland size 5-21 mm.

(2) Without drilling, top entry. Reversible wall box for 50° angle with bottom entry.

### ADDITIONAL PADLOCKING KEYS



Packaging = 10

814A541

### SAFETY HASP FOR UP TO 6 PADLOCKS



613A541

### PRODUCT WITH ANTI-BACTERIAL TREATMENT ●

NEW

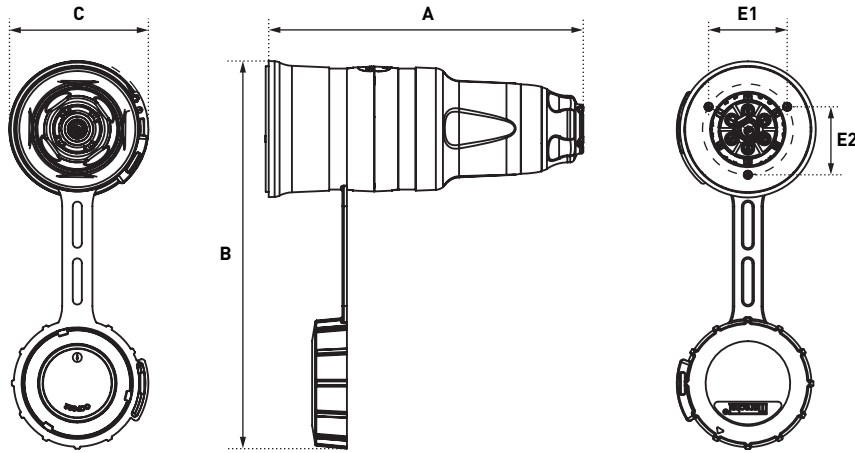
This sticker means that the product is also available with an antibacterial treatment. Add the suffix AG to the reference. For more information on antibacterial treated handles please consult us.



# DRAWINGS AND DIMENSIONS

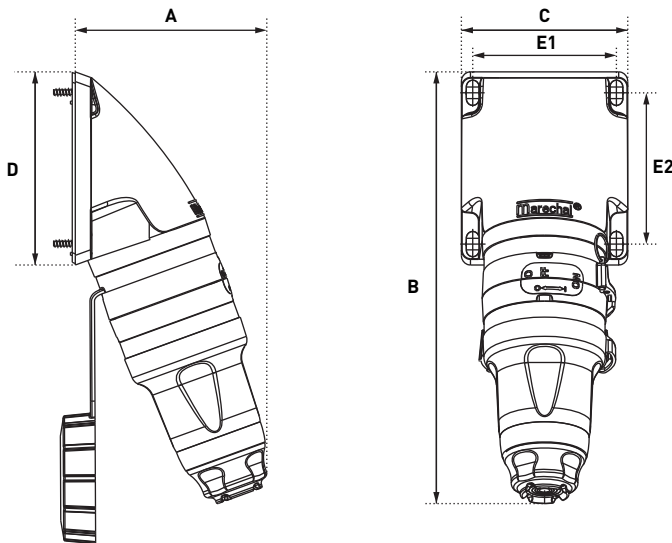
Dimensions are in millimeters.

## STRAIGHT SLEEVE



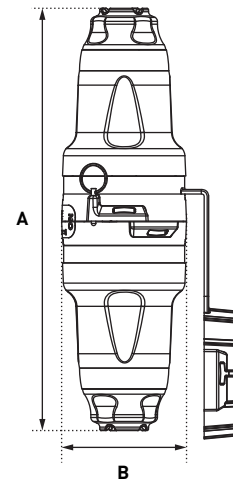
| A   | B   | C  | E1 | E2 |
|-----|-----|----|----|----|
| 209 | 256 | 94 | 52 | 45 |

## INCLINED SLEEVE 70°



| A   | B   | C   | D   | E1 | E2  |
|-----|-----|-----|-----|----|-----|
| 127 | 286 | 110 | 128 | 95 | 100 |

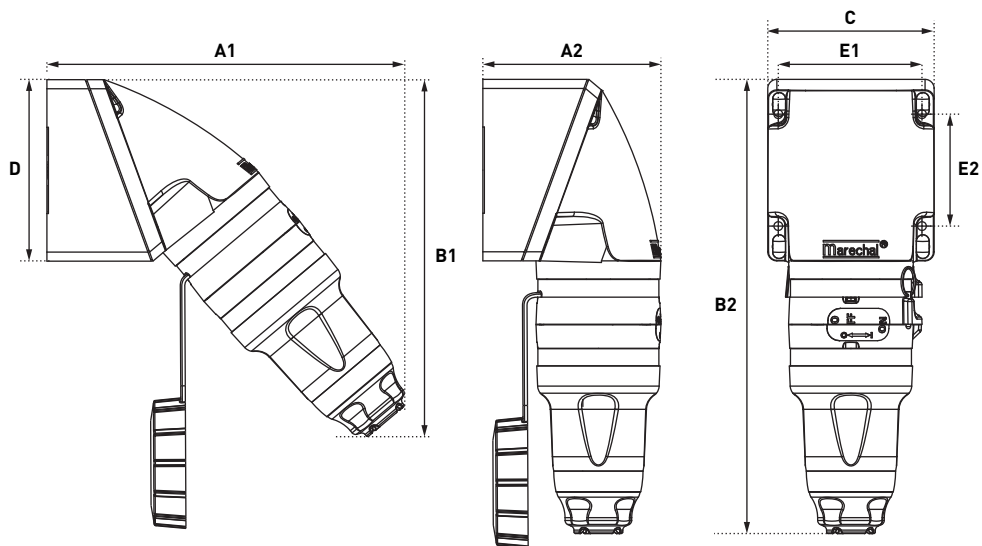
## ON FLEXIBLE CABLE



| A   | B  |
|-----|----|
| 279 | 81 |

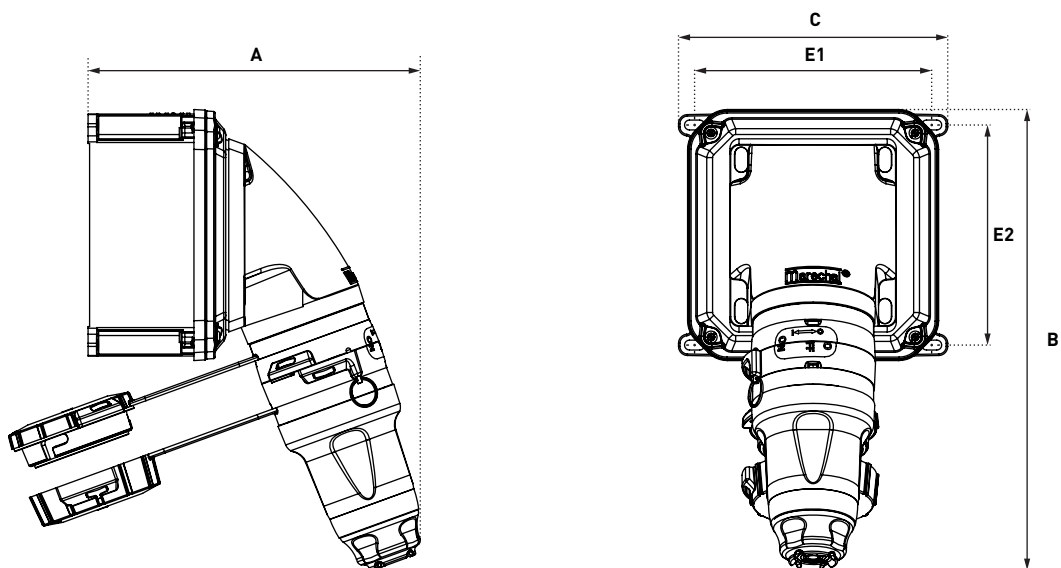


REVERSIBLE WALL BOX 50° AND 90°



| A1  | A2  | B1  | B2  | C   | D   | E1 | E2 |
|-----|-----|-----|-----|-----|-----|----|----|
| 236 | 118 | 236 | 301 | 110 | 120 | 95 | 74 |

MANCHON 70° SUR BOITIER B2



| A   | B   | C   | E1  | E2    |
|-----|-----|-----|-----|-------|
| 220 | 305 | 178 | 157 | 145,5 |

# DECONTACTOR™ & INDUSTRIAL SOCKET-OUTLET

| MODEL | CURRENT | U MAX<br>AC | MAX NB OF<br>CONTACTS | MAX NUMBER<br>OF AUX./PIL. | DECONTACTOR™<br>(BREAK: AC) |
|-------|---------|-------------|-----------------------|----------------------------|-----------------------------|
| PNC   | 16 A    | 480 V       | 4+E                   | /                          | /                           |
| DSN1  | 20 A    | 500 V       | 4+E                   | 2 PIL.                     | AC-22/AC-23                 |
| PN    | 30 A    | 500 V       | 4+E                   | /                          | /                           |
| PNHT  | 30 A    | 500 V       | 4+E                   | /                          | /                           |
| DS1   | 30 A    | 690 V       | 4+E                   | 2 AUX.                     | AC-22/AC-23                 |
| DSN3  | 32 A    | 690 V       | 4+E                   | 2 AUX.                     | AC-22/AC-23                 |
| DS3   | 50 A    | 1 000 V     | 4+E                   | 4 AUX.                     | AC-22/AC-23                 |
| FC    | 50 A    | 500 V       | 4+E                   | /                          | /                           |
| DSN6  | 63 A    | 1 000 V     | 4+E                   | 4 AUX.                     | AC-22/AC-23                 |
| DS6   | 90 A    | 1 000 V     | 4+E                   | 4 AUX.                     | AC-22/AC-23                 |
| DSHT  | 125 A   | 440 V       | 4+E                   | 2 AUX.                     | /                           |
| DS9   | 150 A   | 1 000 V     | 4+E                   | 6 AUX.                     | AC-22/AC-23                 |
| DS2   | 250 A   | 1 000 V     | 4+E                   | 6 AUX.                     | AC-22/AC-23                 |
| DS2   | 350 A   | 1 000 V     | 4+E                   | 2 PIL.                     | /                           |
| DS4   | 400 A   | 1 000 V     | 3+E                   | 2 PIL.                     | /                           |
| PFQ4  | 400 A   | 690 V       | 4+E                   | 6 AUX. + 2 PIL.            | /                           |
| PFC6  | 600 A   | 1 000 V     | 4+E                   | 2 AUX. + 2 PIL.            | /                           |

Other currents, voltages, frequencies and contacts configurations are available (see page 14).

DOWNLOAD ALL TECHNICAL SHEETS ON OUR WEBSITE **MARECHAL.COM**

## SELECTION GUIDE

DECONTACTOR™  
& INDUSTRIAL  
SOCKET-OUTLETS

| MATERIAL   | IP             | EMC         | IK        | PAGE  |
|------------|----------------|-------------|-----------|-------|
| POLY       | IP66/IP67/IP69 | /           | IK08      | 40    |
| POLY       | IP66/IP67/IP69 | /           | IK09      | 42    |
| POLY/METAL | IP66/IP67      | Yes (metal) | IK09      | 46    |
| METAL      | IP44           | /           | IK09      | 50    |
| POLY       | IP55           | /           | IK09      | 52    |
| POLY       | IP66/IP67/IP69 | /           | IK09      | 56    |
| POLY       | IP55           | /           | IK09      | 60    |
| POLY       | IP54           | /           | IK09      | 64    |
| POLY       | IP66/IP67/IP69 | /           | IK09      | 66    |
| POLY/METAL | IP66/IP67      | Yes (metal) | IK09      | 70/74 |
| METAL      | IP44           | /           | IK09      | 78    |
| POLY/METAL | IP66/IP67/IP69 | Yes (metal) | IK09/IK10 | 80/84 |
| METAL      | IP66/IP67      | Yes         | IK10      | 88    |
| METAL      | IP66/IP67      | Yes         | IK10      | 92    |
| METAL      | IP66/IP67      | Yes         | IK10      | 96    |
| METAL      | IP66/IP67      | /           | IK10      | 102   |
| METAL      | IP66/IP67      | /           | IK10      | 106   |

## MAIN FEATURES

16 A

### PNC CONNECTORS

IP66/IP67/IP69  
GRP casing

30 A

### PN INDUSTRIAL PLUG AND SOCKET-OUTLET

IP66/IP67  
GRP or metal casing

50 A

NEW

### FC FLAT CONNECTORS

IP54  
GRP casing  
For flat cables



#### PNC CONNECTORS FACILITATE THE COMPLIANCE OF ELECTRICAL INSTALLATION TO:

- the national regulations relating to the improvement of safety and health of workers at work in France, Italy, Spain, Belgium,
- the installation standards IEC/HD 60364 and NF C 15-100.

#### PNC connectors comply with :

- the European Directives Low Voltage, RoHS (affixing of CE marking), REACH European Regulation,
- the IEC/EN 61984, IEC/EN 60529, IEC/EN 62262 standards.



#### PN PLUGS AND SOCKET-OUTLETS FACILITATE THE COMPLIANCE OF:

- electrical machinery to the Machinery European Directive regarding isolation device,
- the national regulations relating to the improvement of safety and health of workers at work in France, Italy, Spain, Belgium,
- the installation standards IEC/HD 60364 and NF C 15-100.

#### PN plugs and socket-outlets comply with :

- the European Directives Low Voltage, RoHS (affixing of CE marking), REACH European Regulation,
- the IEC/EN 60309-1, IEC/EN 60309-4 standards (essential requirements) ; UL 1682 (USA) and CSA C22.2 N°182.1-07 (Canada) standards.



#### FC FLAT CONNECTORS FACILITATE THE COMPLIANCE OF ELECTRICAL INSTALLATION TO:

- the national regulations relating to the improvement of safety and health of workers at work in France, Italy, Spain, Belgium,
- the installation standards IEC/HD 60364 and NF C 15-100.

#### FC flat connectors comply with :

- the European Directives Low Voltage, RoHS (affixing of CE marking), REACH European Regulation,
- the IEC/EN 61984, IEC/EN 60529, IEC/EN 62262 standards.

20 A » 63 A

## DSN DECONTACTOR™

IP66/IP67/IP69

GRP casing

Breaking capacity AC-22 and AC-23

Up to 4 auxiliaries



30 A » 250 A

## DS DECONTACTOR™

IP54/55 (IP66/IP67 from 90 A)

GRP casing up to 150 A

Metal casing from 90 A to 250 A

Breaking capacity AC-22 and AC-23



### DECONTACTOR™ DSN AND DS FACILITATE THE COMPLIANCE OF:

- electrical machinery to the Machinery European Directive,
- electrical installation to French decree of 30 aout 2010 and 22 septembre 2010 relating to health and safety at work when using electrical installations,
- electrical installation to national regulation relating to the improvement of the safety and health of workers at work in Italy, Spain, Belgium,
- electrical installation to IEC/HD 603064, NF C 15-100 and NFPA70 standards.

### DSN and DS DECONTACTOR™ comply with :

- the European Directives Low Voltage, RoHS (affixing of CE marking), REACH European Regulation,
- IEC/EN 60309-1, IEC/EN 60309-4, IEC/EN 60947-3 (dealing with the load breaking capacities AC-22 and AC-23) standards,
- UL 1682, UL 2682 (USA), CSA C22.2 N° 182.1-07 (Canada) standards,
- BV Marine specifications (DSN series, DS9, DS2).

## OUR CERTIFICATIONS



France and  
International  
Europe



Germany



USA and  
North  
America



Canada



Australia



Russia  
and Eurasia



Marine



Military  
(Mil-S-901D)



China

## MAIN FEATURES

30 A

### PNHT HIGH TEMPERATURE PLUG AND SOCKET-OUTLET

High-temperature environment up to 240 °C  
Metal casing



#### PNHT PLUGS AND SOCKET-OUTLETS FACILITATE THE COMPLIANCE TO:

- electrical machinery to the Machinery European Directive regarding isolation device,
- electrical installation to national regulation relating to the improvement of the safety and health of workers at work in Italy, Spain, Belgium,
- electrical installation to IEC/HD 603064 and NF C 15-100 standards.

#### PNHT plugs and socket-outlets comply with:

- the European Directives Low Voltage, RoHS (affixing of CE marking), REACH European Regulation.

125 A

NEW

### DSHT HIGH TEMPERATURE PLUG AND SOCKET-OUTLET

High-temperature environment up to 150 °C  
Metal casing



#### DSHT PLUGS AND SOCKET-OUTLETS FACILITATE THE COMPLIANCE OF:

- electrical machinery to the Machinery European Directive regarding isolation device,
- electrical installation to French decree of August 30, 2010 and September 22, 2010 relating to health and safety at work when using electrical installations,
- electrical installation to national regulation relating to the improvement of the safety and health of workers at work in Italy, Spain, Belgium,
- electrical installation to IEC/HD 603064 and NF C 15-100 standards.

#### DSHT plugs and socket-outlets comply with:

- the European Directives Low Voltage, RoHS (affixing of CE marking), REACH European Regulation.

350 A » 400 A

## DS INDUSTRIAL PLUGS AND SOCKET-OUTLETS

IP66/IP67

Metal casing



### DS PLUGS AND SOCKET-OUTLETS FACILITATE THE COMPLIANCE TO:

- electrical machinery to the Machinery European Directive regarding isolation device,
- electrical installation to IEC/HD 603064 and NF C 15-100 standards.

#### DS plugs and socket-outlets comply with:

- the European Directives Low Voltage, RoHS (affixing of CE marking), REACH European Regulation.

400 A » 600 A

## PF INDUSTRIAL PLUGS AND SOCKET-OUTLETS

IP66/IP67

Plug and socket-outlet casing in painted aluminium and box in stainless steel AISI 316L



### PF PLUGS AND SOCKET-OUTLETS FACILITATE THE COMPLIANCE ELECTRICAL INSTALLATIONS TO:

- electrical installation to French decree of 30 aout 2010 and 22 septembre 2010 relating to health and safety at work when using electrical installations,
- electrical installation to IEC/HD 603064 and NF C 15-100 standards.

#### PF plugs and socket-outlets comply with:

- the European Directives Low Voltage, RoHS (affixing of CE marking), REACH European Regulation.
- UL 1682 (USA) and CSA C22.2 N° 182.1-07 (Canada) standards.

## OUR CERTIFICATIONS



USA and North America



Canada



Russia and Eurasia



Military (Mil-S-901D)

# 16 A

480 V  
U<sub>MAXI</sub>

## CONNECTOR PNC



IP66  
IP67  
IP69



0,75 mm<sup>2</sup>  
2,5 mm<sup>2</sup>



GRP



IK08



-40 °C  
+100 °C

### OTHER FEATURES

|                             |   |
|-----------------------------|---|
| Permitted current range     | 4-20 mA/16 A  |
| Impulse withstand voltage   | 5 kV  |
| Contact resistance          | < 2 mΩ  |
| Polarity                    | 4P+E  |
| Casing/insulator            | Glass reinforced thermoplastics UL94 V-0  |
| Vibrations                  | Frequency range 5-1 000 Hz, 1 g (1 h 30 on each critical frequency) according to IEC/EN 60068-2-6 |
| Load cycles                 | > 2 000 cycles  |
| IP (socket-outlet with cap) | IP66/IP67/IP69  |
| IP (connected plug)         | IP66/IP67<br>IP68 test at 10m deep during 15 days<br>(contact us for these references)<br>IP69    |
| Salt mist                   | 50 000 hours  |



## REFERENCES AND ACCESSORIES

### SOCKET-OUTLET

female  
(with M25 lock nut)  
**PNC**



**INLET** male  
(with M25 lock nut)  
**PNC**



|          |     |         |         |
|----------|-----|---------|---------|
| 480 V AC | 4+E | 01E4007 | 01E8007 |
|----------|-----|---------|---------|

### COUPLER

socket female  
**PNC**







**PLUG** male  
**PNC**



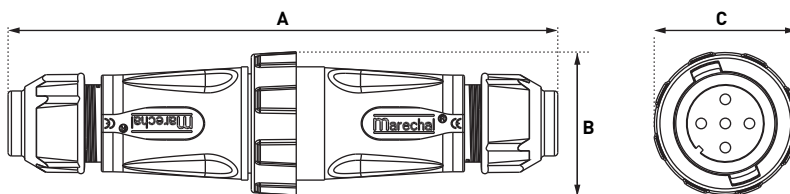
|          |     |         |         |
|----------|-----|---------|---------|
| 480 V AC | 4+E | 01E3007 | 01E1007 |
|----------|-----|---------|---------|

Cable diameter 11-15 mm (smaller diameter available according to specification).

| ACCESSORIES   |                                | Reference          |
|---|--------------------------------|--------------------|
| <b>INLET CAP</b>  |                                |                    |
|  | Socket-outlet cap<br>Inlet cap | 01EA125<br>01EA126 |
| <b>ADAPTER PLATE FOR DSN1 OR DXN1 ACCESSORIES</b>                                   |                                |                    |
|  |                                | 251A457-E          |
| <b>STRAIGHT SLEEVE</b>  |                                |                    |
|  |                                | 01EA127            |

| HANDLE  | Input/Cable outer Ø | Reference     |
|---|---------------------|---------------|
| <b>HANDLE WITHOUT CABLE GLAND</b>   |                     |               |
|  | M20                 | 01EA253417    |
| <b>CABLE GLAND</b>  |                     |               |
|  | 5-12 mm             | 9PEM20POLY+J  |
|  | 3-9 mm              | 9PEM20RNPOL+J |

## DRAWINGS AND DIMENSIONS



|          |          |          |
|----------|----------|----------|
| <b>A</b> | <b>B</b> | <b>C</b> |
| 165      | 45       | 45       |

# 20 A

500 V  
U<sub>MAXI</sub>

## DECONTACTOR™ DSN1



IP66  
IP67  
IP69



1-2,5 mm<sup>2</sup> (1)  
1,5-4 mm<sup>2</sup> (2)



GRP



IK09



-40 °C  
+60 °C



AC-22  
AC-23



60309-1  
60309-4  
60947-3



2 PIL. (3)

(1) Flexible wiring (min.-max.).  
(2) Stranded wiring (min.-max.).  
(3) Flexible wiring 0.8 mm<sup>2</sup>.



Other configurations  
on request



For a black colour  
housing replace the  
second reference  
character with 5.

### LOAD-BREAK CAPABILITY OF THE DECONTACTOR™

|   |            |
|---|------------|
| Comply with IEC/EN 60309-1 and IEC/EN 60309-4 standards | 20 A/500 V |
| Load-break capability according to IEC/EN 60947-3/AC-22 | 20 A/500 V |
| Load-break capability according to IEC/EN 60947-3/AC-23 | 20 A/500 V |
| Short-circuit current I <sub>cc</sub>                   | 10 kA      |
| Power kW AC-22/AC-23                                    | 10 kW      |

### SOCKET-OUTLET

female  
DSN1



INLET male  
DSN1



|                           |             |            |         |
|---------------------------|-------------|------------|---------|
| 20-24 V AC                | 2P          | 611408A    | 611808A |
| 220-250 V AC              | 1P+N+E      | 6114015    | 6118015 |
| 380-440 V AC              | 3P+E        | 6114013    | 6118013 |
| 220-250 V AC 380-440 V AC | 3P+N+E      | 6114017    | 6118017 |
| 480-500 V AC              | 3P+E        | 6114093    | 6118093 |
| 480-500 V AC              | 3P+N+E      | 6114097    | 6118097 |
| Pilotes 2A/250 V AC       | + 2 pilots* | Ref. + 972 | NA      |

Dual-voltage  
socket-outlet  
(see p. 11)

► Other currents, voltages, frequencies and contact configurations are available (see page 14).

\* Unlike the rest of the DSN range, DSN1 auxiliaries are located on the female side only and are shunted. Electrical continuity is only ensured when the inlet and the socket-outlet are connected and when the pilot circuit is closed.

**OPTIONS** Reference

**INDUSTRIAL/DOMESTIC ADAPTERS**

Industrial inlet MARECHAL® 1P+N+E and domestic socket-outlet 10/16 A 230 V fuse protection 10A and 16 A (with integrated fuse). All these plug adapters are available to local standards: replace D11 by D40 for UK, D30 for Germany/Netherlands/Luxembourg, D06 for Italy.



6118015D11

**LOCKING PIN FOR 2 PADLOCKS Ø 4 TO 8 mm (PADLOCK NOT SUPPLIED)**



Socket-outlet ref. +843

**SAFETY HASP FOR UP TO 6 PADLOCKS**



613A541

**LARGER RELEASE BUTTON**



Ref. socket +453

**INLET CAP IP66/IP67**



611A426

**IN-LINE CONNECTIONS (A PAIR OF FINGER DRAW PLATES TO AID CLOSING)**



611A346

**IP40 SELF RETURNING LID (MANUAL CLOSING)**



Socket-outlet ref.+R

**SELF-EJECTING**



See page 192

**PRODUCTS AVAILABLE IN BLACK ●**

The black dot means these products are also available in black color. Replace the second character of the product reference with 5

**PRODUCT WITH ANTI-BACTERIAL TREATMENT ●** NEW

This sticker means that the product is also available with an antibacterial treatment. Add the suffix AG to the reference. For more information on anti-bacterial treated handles please consult us.

**SLEEVE** Reference

**POLY SLEEVE ●**



30°

511M3



70°

511M7

**METAL SLEEVE**



0° (Straight)

591M0



30°

591M3

**BOXES** Input Reference

**POLY BOX ●**



30°

M20

511B3M20

30°

M25

511B3M25

**POLY BOX + POLY SLEEVE (BLACK VERSION SEE ACCESSORIES DXN1 PAGE 239)**

70°

Without hole

511C7000



70°

Hole Ø 20

511C7M20

Earth bar ref.: 51AA089

70°

Hole Ø 25

511C7M25

70°

Hole Ø 32

511C7M32

**METAL BOX (+ EARTHING WIRE) + POLY SLEEVE**



30°

M20

511C3M20

Cable glands are not delivered with the boxes.

**HANDLE** Input/Cable outer Ø Reference Self-ejection

**POLY HANDLE WITH GLAND ●●**



9-18 mm

511P0D18

/



5-21 mm

511P0D21

/



60°

9-18 mm

511P6D18

/

**POLY HANDLE + POLY CABLE GLAND ●●**



5-12 mm

511P020P

Ref. +443 (10-14 mm)



9-18 mm

511P025P

Ref. +443 (12-18 mm)

14-25 mm

511P032P

Ref. +443

**POLY HANDLE (WITHOUT CABLE GLAND) ●**



M20

511P0M20

/



M25

511P0M25

/

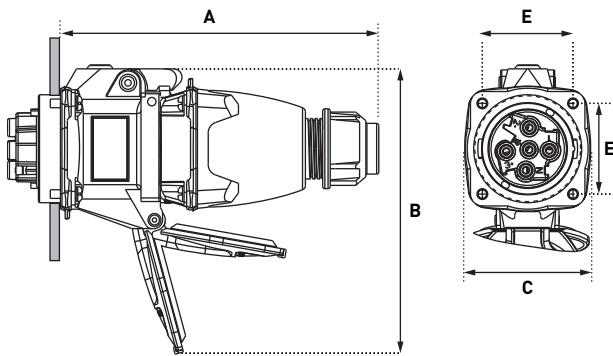
M32

511P0M32

/

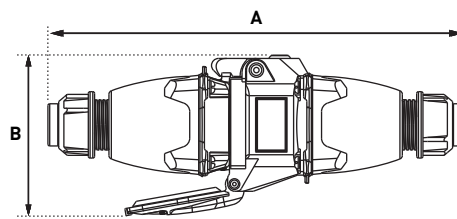
# DRAWINGS AND DIMENSIONS

PLUG ON SOCKET-OUTLET



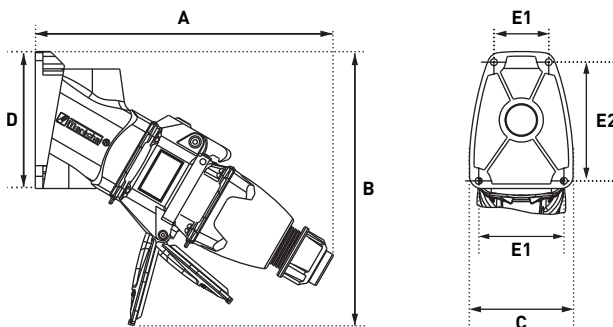
| A   | B   | C  | E  |
|-----|-----|----|----|
| 147 | 134 | 58 | 42 |

COUPLER



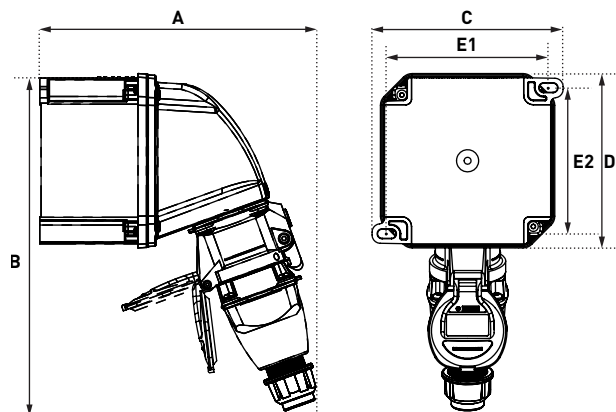
| A   | B  |
|-----|----|
| 231 | 89 |

PLUG ON 30° WALL-MOUNTED SOCKET-OUTLET



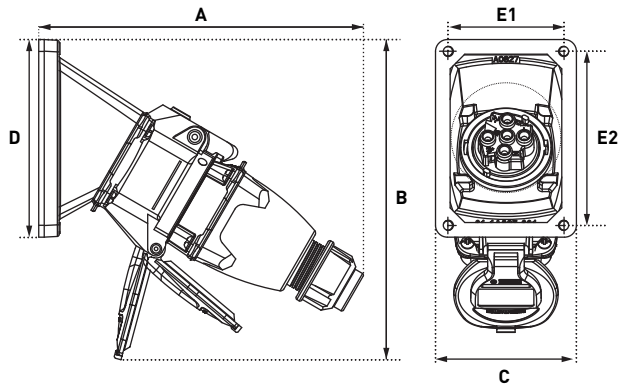
| A   | B   | C  | D  | E1    | E2 |
|-----|-----|----|----|-------|----|
| 196 | 180 | 68 | 90 | 36/56 | 78 |

PLUG ON 70° WALL-MOUNTED SOCKET-OUTLET



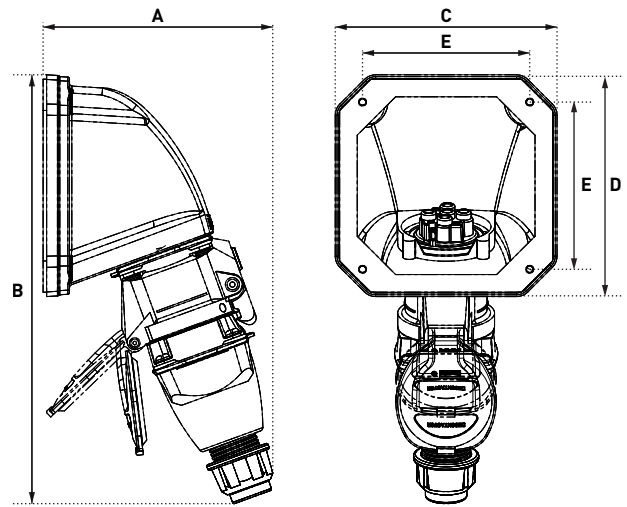
| A   | B   | C   | D   | E1  | E2  |
|-----|-----|-----|-----|-----|-----|
| 200 | 244 | 138 | 126 | 117 | 106 |

PLUG ON 30° INCLINED SOCKET-OUTLET



| A   | B   | C  | D   | E1 | E2 |
|-----|-----|----|-----|----|----|
| 177 | 175 | 77 | 108 | 64 | 95 |

PLUG ON 70° INCLINED SOCKET-OUTLET



| A   | B   | C   | D   | E  |
|-----|-----|-----|-----|----|
| 131 | 244 | 126 | 126 | 95 |



# 30 A

500 V  
U MAXI

## INDUSTRIAL PLUG PN



IP66  
IP67



1-6 mm<sup>2</sup> (1)  
1,5-10 mm<sup>2</sup> (2)



GRP  
METAL



IK09



-40 °C  
+60 °C



EMC  
METAL

(1) Flexible wiring (min.-max.).  
(2) Stranded wiring (min.-max.).



Other configurations  
on request

GRP devices are not  
compatible with metal  
devices.



For a black colour  
GRP housing replace  
the second reference  
character with 5.

Dual-voltage  
socket-outlet  
(see p. 11)



|                           |        |         |         |
|---------------------------|--------|---------|---------|
| 20-24 V AC                | 2P     | 01N408A | 01N808A |
| 220-250 V AC              | 1P+N+E | 01N4015 | 01N8015 |
| 380-440 V AC              | 3P+E   | 01N4013 | 01N8013 |
| 220-250 V AC 380-440 V AC | 3P+N+E | 01N4017 | 01N8017 |
| 480-500 V AC              | 3P+E   | 01N4093 | 01N8093 |
| 480-500 V AC              | 3P+N+E | 01N4097 | 01N8097 |

► Other currents, voltages, frequencies and contact configurations are available (see page 14).




|                           |        |         |         |
|---------------------------|--------|---------|---------|
| 20-24 V AC                | 2P     | 09N408A | 09N808A |
| 220-250 V AC              | 1P+N+E | 09N4015 | 09N8015 |
| 380-440 V AC              | 3P+E   | 09N4013 | 09N8013 |
| 220-250 V AC 380-440 V AC | 3P+N+E | 09N4017 | 09N8017 |
| 480-500 V AC              | 3P+E   | 09N4093 | 09N8093 |
| 480-500 V AC              | 3P+N+E | 09N4097 | 09N8097 |

► Other currents, voltages, frequencies and contact configurations are available (see page 14).

**OPTIONS** Reference


**INDUSTRIAL/DOMESTIC ADAPTERS**

Industrial inlet MARECHAL® 1P+N+E and domestic socket-outlet 10/16A 230 V fuse protection 10A and 16A (with integrated fuse). All these plug adapters are available to local standards: replace D11 by D40 for UK, D30 for Germany/Netherlands/Luxembourg, D06 for Italy.




01N8015D11

**LOCKING FOR 1 PADLOCK Ø 4 mm (WITHOUT SHAFT)**




Ref. + 843

**SCREW LOCKING IMPRINT BTR 2,5**



Ref. socket + 22

**REVERSED INTERIOR AND CONTACTS**



The connector is supplied with a rubber inlet cap.


Ref. conn. + 001  
Ref. socket + 001

**IP55 SOCKET-OUTLET SELF-CLOSING LID**




Replace N by S  
Ex: 400 V 3P+N+E  
poly = 01S4017

**INLET CAP IP66/IP67**



01NA426

**180° OPENING LID**



Ref. socket +10

**SELF CLOSING/SELF RETURNING LID**




Socket-outlet ref.+R

**180° OPENING + SELF-RETURNING LID**



Ref. socket +18

**ELECTROMAGNETIC COMPATIBILITY (EMC)** ● **NEW**






Please order a metal threaded accessory herewith, together with a EMC cable gland to be found on page 318.

**PRODUCTS AVAILABLE IN BLACK** ●

The black dot means these products are also available in black color. Replace the second character of the product reference with 5



**PRODUCT WITH ANTI-BACTERIAL TREATMENT** ● **NEW**

This sticker means that the product is also available with an antibacterial treatment. Add the suffix AG to the reference. For more information on anti-bacterial treated handles please consult us.


| SLEEVE  | $\angle x^\circ$ | Ref.  | EMC Option |
|---|------------------|-------|------------|
| <b>POLY SLEEVE</b> ●  |                  |       |            |
|  | 30°              | 511M3 | /          |
|  | 70°              | 511M7 | /          |
| <b>METAL SLEEVE</b> ●   |                  |       |            |
|  | 0° (Straight)    | 591M0 | Ref. +EMC  |
|  | 30°              | 591M3 | Ref. +EMC  |
|  | 45°              | 591M4 | Ref. +EMC  |

**BOXES**  $\angle x^\circ$  Input Ref.


**POLY BOX**

|   |               |     |          |
|---|---------------|-----|----------|
|  | 0° (Straight) | M20 | 511B0M20 |
|   | 0° (Straight) | M25 | 511B0M25 |
|  | 30°           | M20 | 511B3M20 |
|   | 30°           | M25 | 511B3M25 |

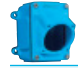
**METAL BOX (+ EARTHING WIRE)** ●

|   |               |     |          |
|---|---------------|-----|----------|
|  | 0° (Straight) | M20 | 591B0M20 |
|   | 0° (Straight) | M25 | 591B0M25 |

**POLY BOX + POLY SLEEVE**

|   |     |              |          |
|---|-----|--------------|----------|
|  | 70° | Without hole | 511C7000 |
|   | 70° | Hole Ø 20    | 511C7M20 |
| Earth bar ref. : 51AA089  | 70° | Hole Ø 25    | 511C7M25 |
|   | 70° | Hole Ø 32    | 511C7M32 |

**METAL BOX (+ EARTHING WIRE) + POLY SLEEVE** ●

|   |     |     |          |
|---|-----|-----|----------|
|  | 30° | M20 | 511C3M20 |
|---|-----|-----|----------|

**METAL BOX (+ EARTHING WIRE) + METAL SLEEVE** ●

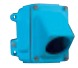



|   |     |     |          |
|---|-----|-----|----------|
|  | 45° | M20 | 591C4M20 |
|   | 45° | M25 | 591C4M25 |
|   | 45° | M32 | 591C4M32 |


Table of cable glands on page 318.

**HANDLE** Input/Cable outer Ø Ref.


**POLY HANDLE WITH GLAND** ● ●

|   |             |          |
|---|-------------|----------|
|  | 9-18 mm     | 511P0D18 |
|  | 5-21 mm     | 511P0D21 |
|  | 60° 9-18 mm | 511P6D18 |


**POLY HANDLE + POLY CABLE GLAND** ● ●

|   |          |          |
|---|----------|----------|
|  | 5-12 mm  | 511P020P |
|   | 9-18 mm  | 511P025P |
|   | 14-25 mm | 511P032P |


**METAL HANDLE WITH METAL GLAND (+ EARTHING WIRE)**

|   |          |          |
|---|----------|----------|
|  | 7-13 mm  | 591P020M |
|   | 8-16 mm  | 591P025M |
|   | 16-24 mm | 591P032M |

**POLY HANDLE (PE PAGE 318)** ●

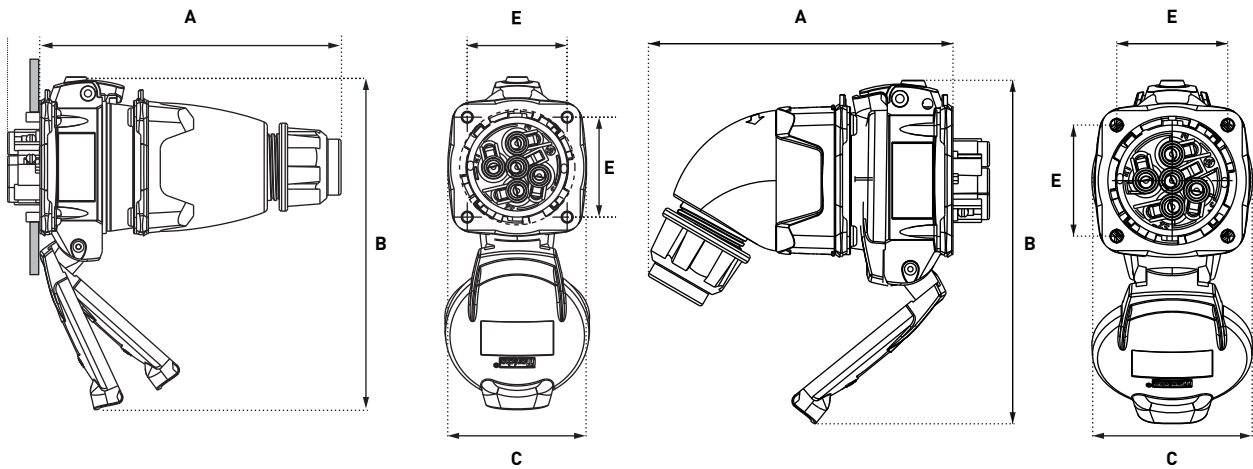
|   |     |          |
|---|-----|----------|
|  | M20 | 511P0M20 |
|   | M25 | 511P0M25 |
|   | M32 | 511P0M32 |

**METAL HANDLE METRIC THREAD ENTRY (PE PAGE 318)** ● ●

|   |     |          |
|---|-----|----------|
|  | M20 | 591P0M20 |
|   | M25 | 591P0M25 |
|   | M32 | 591P0M32 |

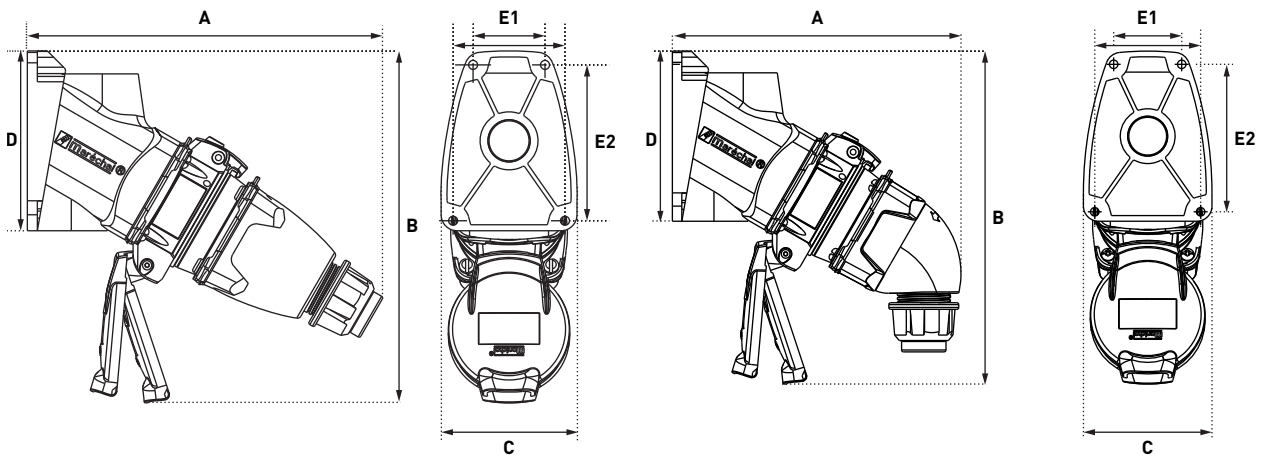
# DRAWINGS AND DIMENSIONS

## PLUG ON SOCKET-OUTLET



|                        | A   | B   | C  | E  |
|------------------------|-----|-----|----|----|
| <b>Straight handle</b> | 127 | 140 | 58 | 42 |
| <b>Angled handle</b>   | 117 | 138 | 61 | 42 |

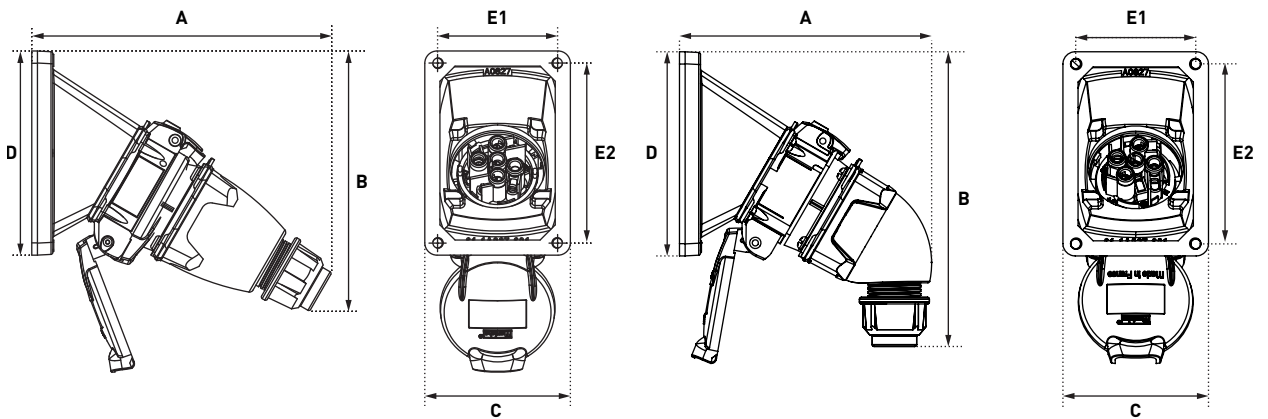
## PLUG ON 30° WALL MOUNTED SOCKET OUTLET



|                        | A   | B   | C  | D  | E1    | E2 |
|------------------------|-----|-----|----|----|-------|----|
| <b>Straight handle</b> | 178 | 176 | 68 | 90 | 36/56 | 78 |
| <b>Angled handle</b>   | 153 | 176 | 68 | 90 | 36/56 | 78 |

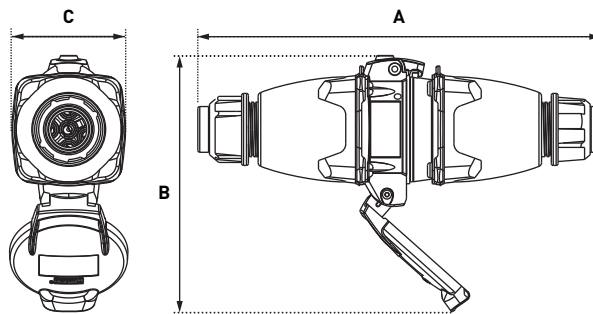


PLUG ON 30° INCLINED SOCKET-OUTLET



|                        | A   | B   | C  | D   | E1 | E2 |
|------------------------|-----|-----|----|-----|----|----|
| <b>Straight handle</b> | 160 | 170 | 77 | 108 | 64 | 95 |
| <b>Angled handle</b>   | 133 | 165 | 77 | 108 | 64 | 95 |

COUPLER



|                        | A   | B   | C  |
|------------------------|-----|-----|----|
| <b>Straight handle</b> | 208 | 132 | 58 |

# 30 A

500 V  
U MAXI

## HIGH-TEMPERATURE PLUG PNHT



# 240 °C



IP44



1-6 mm<sup>2</sup>  
1,5-10 mm<sup>2</sup>



METAL



IK09



Self-closing lid as a  
standard

### OTHER FEATURES

|                             |                        |
|-----------------------------|------------------------|
| Flexible wiring (min.-max.) | 1-6 mm <sup>2</sup>    |
| Stranded wiring (min.-max.) | 1,5-10 mm <sup>2</sup> |



**SOCKET-OUTLET**  
female  
PNHT



**INLET** male  
PNHT



|              |              |            |            |
|--------------|--------------|------------|------------|
| 20-24 V AC   | 2P           | 092408A185 | 092808A185 |
| 220-250 V AC | 1P+N+E       | 0924015185 | 0928015185 |
| 380-440 V AC | 3P+E         | 0924013185 | 0928013185 |
| 220-250 V AC | 380-440 V AC | 0924017185 | 0928017185 |

| BOXES   |               | Input | Reference   |
|---|---------------|-------|-------------|
| <b>METAL BOX (+ EARTHING WIRE)</b>                |               |       |             |
|   | 0° (Straight) | M20   | 571B0M20185 |
|   | 0° (Straight) | M25   | 571B0M25185 |
| <b>METAL BOX (+ EARTHING WIRE) + METAL SLEEVE</b> |               |       |             |
|   | 45°           | M20   | 571C4M20185 |
|   | 45°           | M25   | 571C4M25185 |
|   | 45°           | M32   | 571C4M32185 |

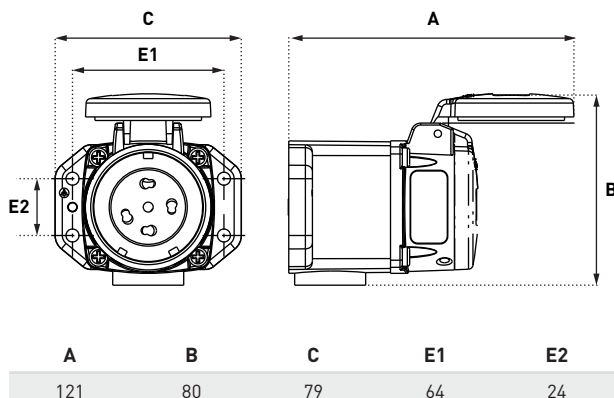
Cable glands are not delivered with the boxes.

| SLEEVE              |     | Reference |
|---------------------|-----|-----------|
| <b>METAL SLEEVE</b> |     |           |
|                     | 45° | 571M4185  |

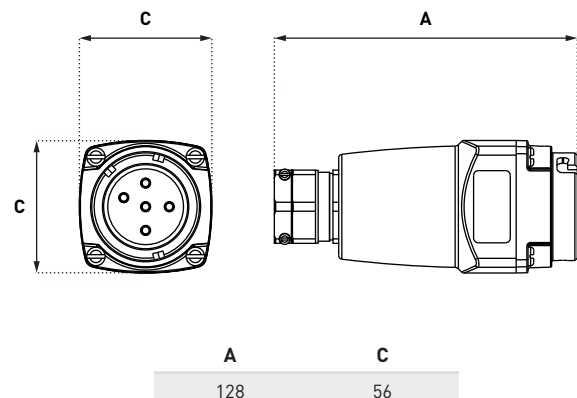
| HANDLE  | Input/<br>Cable outer Ø | Reference   |
|---|-------------------------|-------------|
| <b>METAL HANDLE WITH METAL GLAND (+ EARTHING WIRE)</b>        |                         |             |
|   | 8-13 mm                 | 571P020M185 |
|   | 12-20 mm                | 571P025M185 |
|   | 18-28 mm                | 571P032M185 |
| <b>METAL HANDLE METRIC THREAD ENTRY (WITHOUT CABLE GLAND)</b> |                         |             |
|   | M25                     | 571P0M25185 |
|   | M32                     | 571P0M32185 |

## DRAWINGS AND DIMENSIONS

SOCKET ON STRAIGHT WALL BOX



PLUG



# 30 A

# 690 V

U MAXI

## DECONTACTOR™ DS1



IP54<sup>(1)</sup>  
IP55<sup>(2)</sup>



2,5-6 mm<sup>2</sup> <sup>(3)</sup>  
2,5-10 mm<sup>2</sup> <sup>(4)</sup>



GRP



IK09



-40 °C  
+60 °C



AC-22  
AC-23



60309-1  
60309-4  
60947-3



2 AUX<sup>(5)</sup>

- [1] IP protection plug connected
- [2] IP protection lid closed
- [3] Flexible wiring (min.-max.).
- [4] Stranded wiring (min.-max.).
- [5] Flexible wiring : 2,5-6 mm<sup>2</sup>,  
stranded : 2,5-10 mm<sup>2</sup>

### LOAD-BREAK CAPABILITY OF THE DECONTACTOR™

|   |            |
|---|------------|
| Comply with IEC/EN 60309-1 and IEC/EN 60309-4 standards | 30 A/690 V |
| Load-break capability according to IEC/EN 60947-3/AC-22 | 30 A/690 V |
| Load-break capability according to IEC/EN 60947-3/AC-23 | 30 A/480 V |
| Short-circuit current I <sub>cc</sub>                   | 10 kA      |
| Power kW AC-22/AC-23                                    | 15 kW      |



Other cable sections:  
please contact us



For a black colour  
housing replace the second  
reference character with 5.

**SOCKET-  
OUTLET** female  
**DS1**



**INLET** male  
**DS1**



Dual-voltage  
socket-outlet  
(see p. 11)

|                                    |              |            |            |
|------------------------------------|--------------|------------|------------|
| 20-24 V AC                         | 2P           | 311408A    | 311808A    |
| 220-250 V AC                       | 1P+N+E       | 3114015    | 3118015    |
| 380-440 V AC                       | 3P+E         | 3114013    | 3118013    |
| 220-250 V AC 380-440 V AC          | 3P+N+E       | 3114017    | 3118017    |
| 660-690 V AC                       | 3P+E         | 3114193    | 3118193    |
| 380-400 V AC 660-690 V AC          | 3P+N+E       | 3114197    | 3118197    |
| Up to 500 V AC - Auxiliaries 30 A* | + 2 contacts | Ref. + 972 | Ref. + 972 |

► Other currents, voltages, frequencies and contact configurations are available (see page 14).

\* When ordering the auxiliary option, the maximum tolerated voltage is reduced to 500 V AC.

**OPTIONS** Reference

**INDUSTRIAL/DOMESTIC ADAPTERS**

Industrial inlet MARECHAL® 1P+N+E and domestic socket-outlet 10/16A 230 V fuse protection 10A and 16A (with integrated fuse). All these plug adapters are available to local standards: replace D11 by D40 for UK, D30 for Germany/Netherlands/Luxembourg, D06 for Italy.



3118015D11

**COUPLER FITTED WITH A DIFFERENTIAL BREAKER**

Coupler fitted with a domestic plug (IP44 - 10/16A 250V 2P+E), a mobile socket-outlet (DS1 type - IP55-230V 1P+N+E) and a differential circuit breaker (IP55-10 or 30mA - nominal current 16A) with reset button.



3114015ID3 (30 mA)

**LOCKING PIN FOR 2 PADLOCKS Ø 4 TO 8 mm (PADLOCK NOT SUPPLIED)**



Socket-outlet ref. +843

**SAFETY HASP FOR UP TO 6 PADLOCKS**



613A541

**LARGER RELEASE BUTTON**



Ref. socket +453

**INLET CAP IP66/IP67**



311A426

**IN-LINE CONNECTIONS (A PAIR OF FINGER DRAW PLATES TO AID CLOSING)**



613A346

**IP55 SELF-RETURNING LID**



Socket-outlet ref.+R

**IP55 METAL LOCKABLE SELF-CLOSING LID FOR INLET**



311A226

**SELF-EJECTING**



See page 192

**PRODUCTS AVAILABLE IN BLACK ●**

The black dot means these products are also available in black color. Replace the second character of the product reference with 5

**PRODUCT WITH ANTI-BACTERIAL TREATMENT ●**

**NEW**

This sticker means that the product is also available with an antibacterial treatment. Add the suffix AG to the reference. For more information on anti-bacterial treated handles please consult us.

**SLEEVE** Reference

**POLY SLEEVE ●**



30°

512M3



70°

512M7

**METAL SLEEVE**



0° (Straight)

592M0



30°

592M3

**BOXES** Input Reference

**POLY BOX ●**



30°

M20

512B3M20

30°

M25

512B3M25

**METAL BOX (+ EARTHING WIRE)**



20°

M20

592B2M20

20°

M25

592B2M25

**POLY BOX + POLY SLEEVE**

70°

Without hole

512C7000

70°

Hole Ø 20

512C7M20

70°

Hole Ø 25

512C7M25

Earth bar ref. : 51AA089

70°

Hole Ø 32

512C7M32

70°

Hole Ø 40

512C7M40

**METAL BOX (+ EARTHING WIRE) + POLY SLEEVE**

30°

M20

512C3M20

30°

M25

512C3M25

30°

M32

512C3M32

30°

M40

512C3M40

**METAL BOX (+ EARTHING WIRE) + METAL SLEEVE**

30°

M20

592C3M20

30°

M25

592C3M25

30°

M32

592C3M32

0° (Straight)

M20

592C0M20

0° (Straight)

M25

592C0M25

0° (Straight)

M32

592C0M32

Cable glands are not delivered with the boxes.

**HANDLE** Input/  
Cable outer Ø Reference Self-ejection

**POLY HANDLE WITH GLAND ●●**



5-21 mm

512P0D21

/

**POLY HANDLE + POLY CABLE GLAND ●●**

5-12 mm

512P020P

Ref. +443

9-18 mm

512P025P

Ref. +443

14-25 mm

512P032P

Ref. +443

18-32 mm

512P040P

Ref. +443

**POLY HANDLE (WITHOUT CABLE GLAND) ●**

M20

512P0M20

Ref. +443

M25

512P0M25

Ref. +443

M32

512P0M32

Ref. +443

M40

512P0M40

Ref. +443

**METAL HANDLE WITH METAL GLAND (+ EARTHING WIRE)**

7-13 mm

592P020M

/

8-16 mm

592P025M

/

16-24 mm

592P032M

/

**METAL HANDLE METRIC THREAD ENTRY (WITHOUT CABLE GLAND)**

M20

592P0M20

/

M25

592P0M25

/

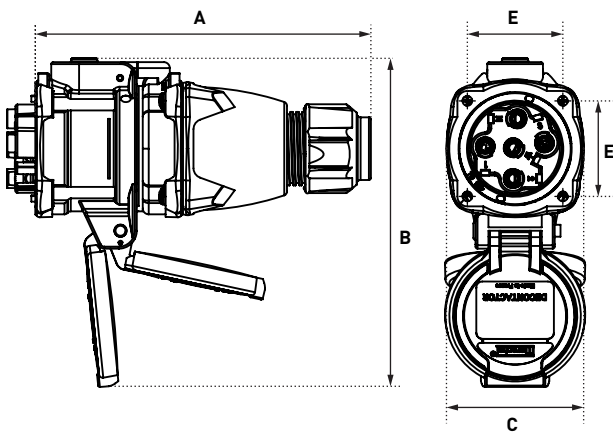
M32

592P0M32

/

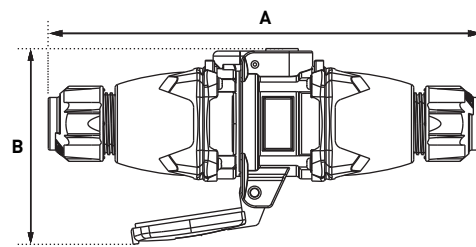
# DRAWINGS AND DIMENSIONS

PLUG ON SOCKET-OUTLET



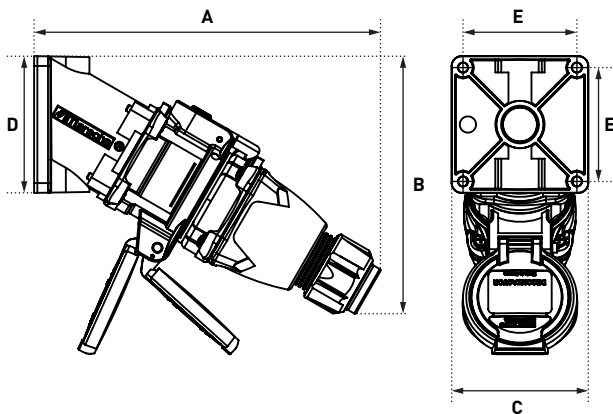
| A   | B   | C  | E  |
|-----|-----|----|----|
| 166 | 163 | 69 | 48 |

COUPLER



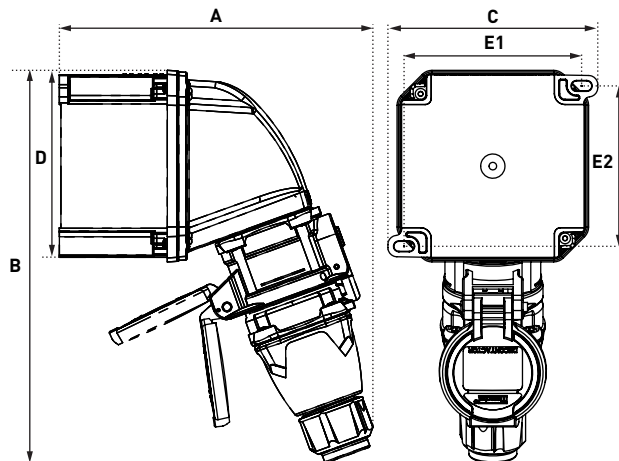
| A   | B   | C  |
|-----|-----|----|
| 259 | 117 | 69 |

PLUG ON 30° WALL MOUNTED SOCKET OUTLET



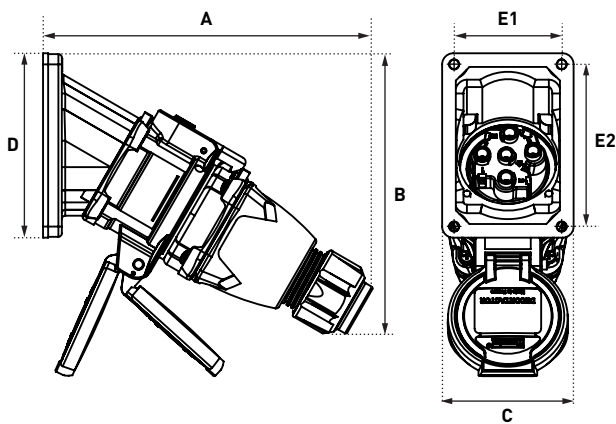
| A   | B   | C  | D  | E  |
|-----|-----|----|----|----|
| 209 | 157 | 84 | 84 | 70 |

PLUG ON 70° WALL-MOUNTED SOCKET-OUTLET



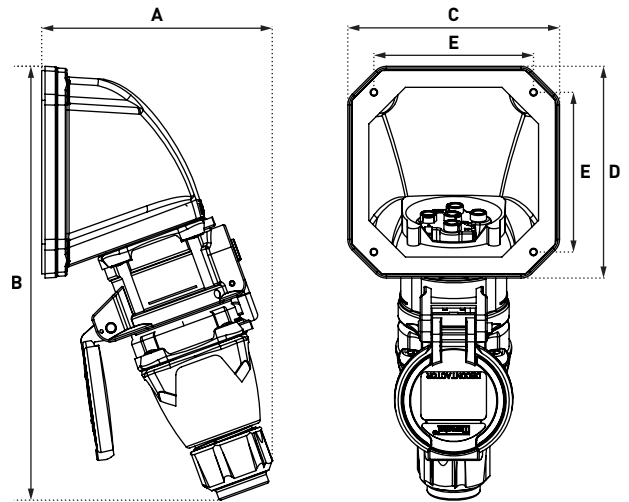
| A   | B   | C   | D   | E1  | E2  |
|-----|-----|-----|-----|-----|-----|
| 206 | 259 | 138 | 126 | 117 | 106 |

PLUG ON 30° INCLINED SOCKET-OUTLET



| A   | B   | C  | D   | E1 | E2 |
|-----|-----|----|-----|----|----|
| 193 | 200 | 77 | 108 | 63 | 95 |

PLUG ON 70° INCLINED SOCKET-OUTLET



| A   | B   | C   | D   | E  |
|-----|-----|-----|-----|----|
| 138 | 259 | 126 | 126 | 95 |



# 32 A

# 690 V

U MAXI

## DECONTACTOR™ DSN3



IP66  
IP67  
IP69



2,5-6 mm<sup>2</sup> (1)  
2,5-10 mm<sup>2</sup> (2)



GRP



IK09



-40 °C  
+60 °C



AC-22  
AC-23



60309-1  
60309-4  
60947-3



2 AUX. (3)

(1) Flexible wiring (min.-max.).  
(2) Stranded wiring (min.-max.).  
(3) Flexible wiring : 2,5-6 mm<sup>2</sup>,  
stranded : 2,5-10 mm<sup>2</sup>



**Other cable sections:  
please contact us**

### LOAD-BREAK CAPABILITY OF THE DECONTACTOR™

|   |            |
|---|------------|
| Comply with IEC/EN 60309-1 and IEC/EN 60309-4 standards | 32 A/690 V |
| Load-break capability according to IEC/EN 60947-3/AC-22 | 32 A/690 V |
| Load-break capability according to IEC/EN 60947-3/AC-23 | 32 A/480 V |
| Short-circuit current I <sub>cc</sub>                   | 10 kA      |
| Power kW AC-22/AC-23                                    | 18,5 kW    |



**For a black colour  
housing replace the second  
reference character with 5.**

**SOCKET-  
OUTLET** female  
**DSN3**



**INLET** male  
**DSN3**



**Dual-voltage  
socket-outlet  
(see p. 11)**



|                           |              |            |            |
|---------------------------|--------------|------------|------------|
| 20-24 V AC                | 2P           | 613408A    | 613808A    |
| 220-250 V AC              | 1P+N+E       | 6134015    | 6138015    |
| 380-440 V AC              | 3P+E         | 6134013    | 6138013    |
| 220-250 V AC 380-440 V AC | 3P+N+E       | 6134017    | 6138017    |
| 660-690 V AC              | 3P+E         | 6134193    | 6138193    |
| 380-400 V AC 660-690 V AC | 3P+N+E       | 6134197    | 6138197    |
| Auxiliaries 30 A/500 V AC | + 2 contacts | Ref. + 972 | Ref. + 972 |

► Other currents, voltages, frequencies and contact configurations are available (see page 14).

\* When ordering the auxiliary option, the maximum tolerated voltage is reduced to 500 V AC.



**OPTIONS** Reference

**INDUSTRIAL/DOMESTIC ADAPTERS**

Industrial inlet MARECHAL® 1P+N+E and domestic socket-outlet 10/16A 230 V fuse protection 10A and 16A (with integrated fuse).  
All these plug adapters are available to local standards: replace D11 by D40 for UK, D30 for Germany/Netherlands/Luxembourg, D06 for Italy.



6138015D11

**LOCKING PIN FOR 2 PADLOCKS Ø 4 TO 8 mm (PADLOCK NOT SUPPLIED)**



Socket-outlet ref. +843

**SAFETY HASP FOR UP TO 6 PADLOCKS**



613A541

**LARGER RELEASE BUTTON**



Ref. socket +453

**INLET CAP IP66/IP67**



613A426

**IN-LINE CONNECTIONS (A PAIR OF FINGER DRAW PLATES TO AID CLOSING)**



613A346

**IP40 SELF RETURNING LID (MANUAL CLOSING)**



Socket-outlet ref.+R

**IP55 METAL LOCKABLE SELF-CLOSING LID FOR INLET**



613A226

**SELF-EJECTION**



See page 192

**PRODUCTS AVAILABLE IN BLACK**

The black dot means these products are also available in black color. Replace the second character of the product reference with 5

**PRODUCT WITH ANTI-BACTERIAL TREATMENT** NEW

This sticker means that the product is also available with an antibacterial treatment. Add the suffix AG to the reference. For more information on anti-bacterial treated handles please consult us.

**SLEEVE** Reference

**POLY SLEEVE**



30°

512M3



70°

512M7

**METAL SLEEVE**



0° (Straight)

592M0



30°

592M3

**BOXES** Input Reference

**POLY BOX**



30°

M20

512B3M20

30°

M25

512B3M25

**METAL BOX (+ EARTHING WIRE)**



20°

M20

592B2M20

20°

M25

592B2M25

**POLY BOX + POLY SLEEVE (BLACK VERSION SEE ACCESSORIES DXN3 PAGE 253)**

70°

Without hole

512C7000

70°

Hole Ø 20

512C7M20

70°

Hole Ø 25

512C7M25

70°

Hole Ø 32

512C7M32

70°

Hole Ø 40

512C7M40

**METAL BOX (+ EARTHING WIRE) + POLY SLEEVE**

30°

M20

512C3M20

30°

M25

512C3M25

30°

M32

512C3M32

30°

M40

512C3M40

**METAL BOX (+ EARTHING WIRE) + METAL SLEEVE**

30°

M20

592C3M20

30°

M25

592C3M25

30°

M32

592C3M32

0° (Straight)

M20

592C0M20

0° (Straight)

M25

592C0M25

0° (Straight)

M32

592C0M32

Cable glands are not delivered with the boxes.

**HANDLE** Input/  
Cable outer Ø Reference Self-ejection

**POLY HANDLE WITH GLAND**



5-21 mm

512P0D21

/

**POLY HANDLE + POLY CABLE GLAND**

5-12 mm

512P020P

Ref. +443

9-18 mm

512P025P

Ref. +443

14-25 mm

512P032P

Ref. +443

18-32 mm

512P040P

Ref. +443

**METAL HANDLE WITH METAL GLAND (+ EARTHING WIRE)**

7-13 mm

592P020M

/

8-16 mm

592P025M

/

16-24 mm

592P032M

/

**POLY HANDLE (WITHOUT CABLE GLAND)**

M20

512P0M20

Ref. +443

M25

512P0M25

Ref. +443

M32

512P0M32

Ref. +443

M40

512P0M40

Ref. +443

**METAL HANDLE METRIC THREAD ENTRY (WITHOUT CABLE GLAND)**

M20

592P0M20

/

M25

592P0M25

/

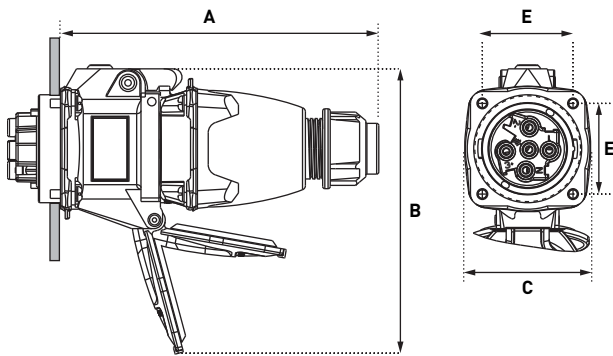
M32

592P0M32

/

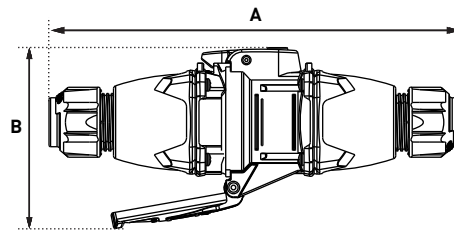
# DRAWINGS AND DIMENSIONS

PLUG ON SOCKET-OUTLET



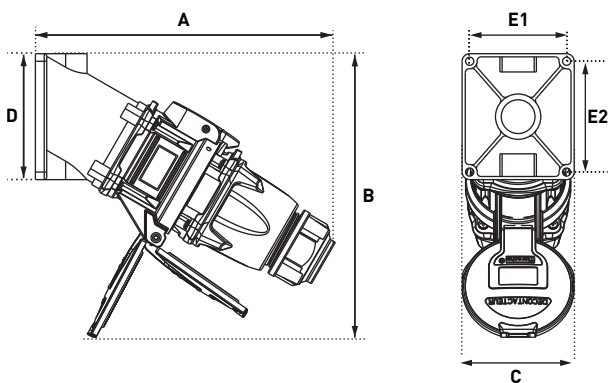
| A   | B   | C  | E  |
|-----|-----|----|----|
| 171 | 171 | 77 | 48 |

COUPLER



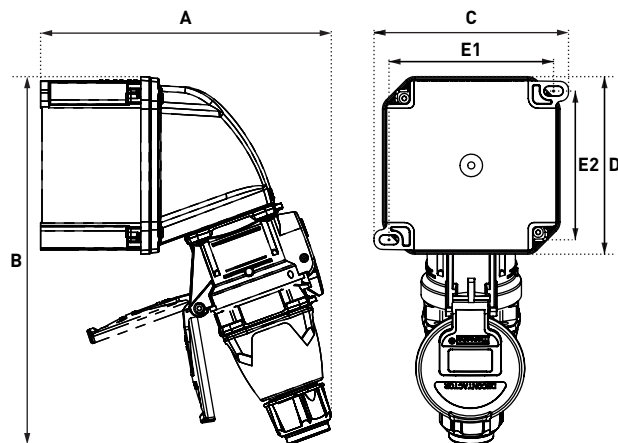
| A   | B   |
|-----|-----|
| 265 | 116 |

PLUG ON 30° WALL MOUNTED SOCKET OUTLET



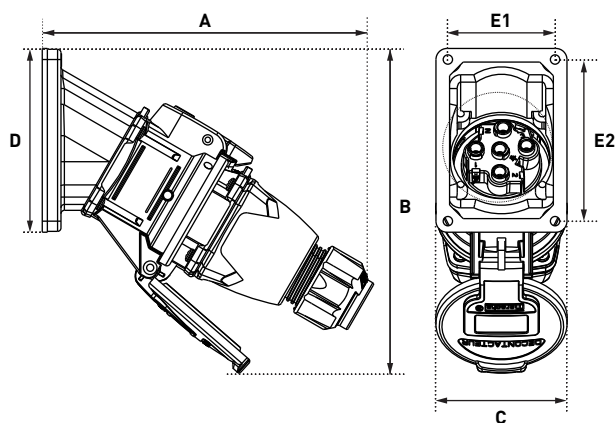
| A   | B   | C  | D  | E1 | E2 |
|-----|-----|----|----|----|----|
| 213 | 191 | 84 | 84 | 70 | 70 |

PLUG ON 70° WALL-MOUNTED SOCKET-OUTLET



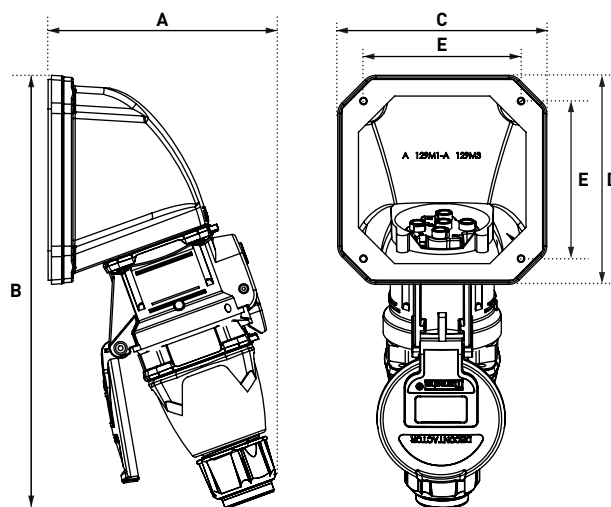
| A   | B   | C   | D   | E1  | E2    |
|-----|-----|-----|-----|-----|-------|
| 207 | 262 | 138 | 126 | 117 | 105.5 |

PLUG ON 30° INCLINED SOCKET-OUTLET



| A   | B   | C  | D   | E1 | E2 |
|-----|-----|----|-----|----|----|
| 195 | 165 | 77 | 191 | 63 | 95 |

PLUG ON 70° INCLINED SOCKET-OUTLET



| A   | B   | C   | D   | E  |
|-----|-----|-----|-----|----|
| 138 | 262 | 126 | 126 | 95 |



# 50 A

# 1 000 V

U MAXI

## DECONTACTOR™ DS3



IP54<sup>(1)</sup>  
IP55<sup>(2)</sup>



6-16 mm<sup>2</sup> <sup>(3)</sup>  
10-25 mm<sup>2</sup> <sup>(4)</sup>



GRP



IK09



-40 °C  
+60 °C



AC-22  
AC-23



60309-1  
60309-4  
60947-3



4 AUX. <sup>(5)</sup>

- (1) IP protection plug connected
- (2) IP protection lid closed
- (3) Flexible wiring (min.-max.).
- (4) Stranded wiring (min.-max.).
- (5) Flexible wiring : 1-2,5 mm<sup>2</sup>, stranded : 1,5-4mm<sup>2</sup>



**Other cable sections:  
please contact us**



**For a black colour  
housing replace the second  
reference character with 5.**

### LOAD-BREAK CAPABILITY OF THE DECONTACTOR™

|   |                               |
|---|-------------------------------|
| Comply with IEC/EN 60309-1 and IEC/EN 60309-4 standards | (50 A/690 V) or (45 A/1000 V) |
| Load-break capability according to IEC/EN 60947-3/AC-22 | 40 A/690 V                    |
| Load-break capability according to IEC/EN 60947-3/AC-23 | 50 A/400 V                    |
| Short-circuit current I <sub>cc</sub>                   | 10 kA                         |
| Power kW AC-22/AC-23                                    | 30 kW                         |

### SOCKET-OUTLET

female  
**DS3**



**INLET** male  
**DS3**












**Dual-voltage  
socket-outlet  
(see p. 11)**





|                           |              |            |            |
|---------------------------|--------------|------------|------------|
| 20-24 V AC                | 2P           | 313408A    | 313808A    |
| 220-250 V AC              | 1P+N+E       | 3134015    | 3138015    |
| 380-440 V AC              | 3P+E         | 3134013    | 3138013    |
| 220-250 V AC 380-440 V AC | 3P+N+E       | 3134017    | 3138017    |
| 660-690 V AC              | 3P+E         | 3134193    | 3138193    |
| 380-400 V AC 660-690 V AC | 3P+N+E       | 3134197    | 3138197    |
| 1 000 V AC                | 3P+E         | 3134223    | 3138223    |
| Auxiliaries 16 A/400 V AC | + 2 contacts | Ref. + 972 | Ref. + 972 |
| Auxiliaries 16 A/400 V AC | + 4 contacts | Ref. + 264 | Ref. + 264 |






▶ Other currents, voltages, frequencies and contact configurations are available (see page 14).

| OPTIONS  | Reference               |
|--|-------------------------|
| <b>LOCKING PIN FOR 2 PADLOCKS Ø 4 TO 8 mm (PADLOCK NOT SUPPLIED)</b>   |                         |
|   | Socket-outlet ref. +843 |
| <b>SAFETY HASP FOR UP TO 6 PADLOCKS</b>  |                         |
|   | 613A541                 |
| <b>LARGER RELEASE BUTTON</b>   |                         |
|   | Ref. socket +453        |
| <b>INLET CAP IP66/IP67</b>   |                         |
|   | 313A426                 |
| <b>IN-LINE CONNECTIONS (A PAIR OF FINGER DRAW PLATES TO AID CLOSING)</b>   |                         |
|   | 616A346                 |
| <b>IP55 SELF-RETURNING LID</b>   |                         |
|   | Socket-outlet ref.+R    |
| <b>IP55 METAL LOCKABLE SELF-CLOSING LID FOR INLET</b>  |                         |
|   | 313A226                 |
| <b>SELF-EJECTING</b>   |                         |
|    | See page 192            |
| <b>PRODUCTS AVAILABLE IN BLACK ●</b>   |                         |
| The black dot means these products are also available in black color. Replace the second character of the product reference with 5   |                         |
| <b>PRODUCT WITH ANTI-BACTERIAL TREATMENT ●</b>   | <b>NEW</b>              |
| This sticker means that the product is also available with an antibacterial treatment. Add the suffix AG to the reference. For more information on anti-bacterial treated handles please consult us. |                         |

| HANDLE  | Input/<br>Cable outer Ø | Reference | Self-ejection |
|---|-------------------------|-----------|---------------|
| <b>POLY HANDLE WITH GLAND ●●</b>  |                         |           |               |
|  | 10-30 mm                | 513P0D30  | /             |
| <b>POLY HANDLE + POLY CABLE GLAND ●●</b>  |                         |           |               |
|  | 9-18 mm                 | 513P025P  | Ref. +443     |
|   | 14-25 mm                | 513P032P  | Ref. +443     |
|   | 18-32 mm                | 513P040P  | Ref. +443     |
| <b>POLY HANDLE (WITHOUT CABLE GLAND) ●</b>  |                         |           |               |
|  | M20                     | 513P0M20  | Ref. +443     |
|   | M25                     | 513P0M25  | Ref. +443     |
|   | M32                     | 513P0M32  | Ref. +443     |
|   | M40                     | 513P0M40  | Ref. +443     |
| <b>METAL HANDLE WITH METAL GLAND (+ EARTHING WIRE)</b>                              |                         |           |               |
|  | 7-13 mm                 | 593P020M  | /             |
|   | 8-16 mm                 | 593P025M  | /             |
|   | 16-24 mm                | 593P032M  | /             |
|   | 22-32 mm                | 593P040M  | /             |
| <b>METAL HANDLE METRIC THREAD ENTRY (WITHOUT CABLE GLAND)</b>                       |                         |           |               |
|  | M20                     | 593P0M20  | /             |
|   | M25                     | 593P0M25  | /             |
|   | M32                     | 593P0M32  | /             |
|   | M40                     | 593P0M40  | /             |

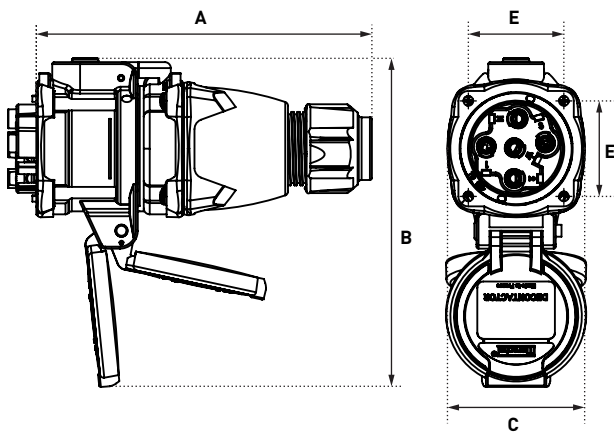
| BOXES   | ∠x°           | Input        | Reference |
|---|---------------|--------------|-----------|
| <b>POLY BOX ●</b>   |               |              |           |
|    | 30°           | M25          | 513B3M25  |
| <b>METAL BOX (+ EARTHING WIRE)</b>  |               |              |           |
|    | 20°           | M20          | 593B2M20  |
|   | 20°           | M25          | 593B2M25  |
|   | 20°           | M32          | 593B2M32  |
| <b>POLY BOX + POLY SLEEVE</b>   |               |              |           |
|    | 70°           | Without hole | 513C7000  |
|   | 70°           | Hole Ø 25    | 513C7M25  |
|   | 70°           | Hole Ø 32    | 513C7M32  |
|   | 70°           | Hole Ø 40    | 513C7M40  |
| Earth bar ref. : 51AA089  |               |              |           |
| <b>METAL BOX (+ EARTHING WIRE) + POLY SLEEVE</b>                                    |               |              |           |
|    | 30°           | M20          | 513C3M20  |
|   | 30°           | M25          | 513C3M25  |
|   | 30°           | M32          | 513C3M32  |
|   | 30°           | M40          | 513C3M40  |
| <b>METAL BOX (+ EARTHING WIRE) + METAL SLEEVE</b>                                   |               |              |           |
|  | 30°           | M20          | 593C3M20  |
|   | 30°           | M25          | 593C3M25  |
|   | 30°           | M32          | 593C3M32  |
|   | 30°           | M40          | 593C3M40  |
|   | 0° (Straight) | M20          | 593C0M20  |
|   | 0° (Straight) | M25          | 593C0M25  |
|   | 0° (Straight) | M32          | 593C0M32  |
|   | 0° (Straight) | M40          | 593C0M40  |
|   | 70°           | M20          | 593C7M20  |
|   | 70°           | M25          | 593C7M25  |
|  | 70°           | M32          | 593C7M32  |
|   | 70°           | M40          | 593C7M40  |

Cable glands are not delivered with the boxes.

| SLEEVE  | ∠x°           | Reference |
|---|---------------|-----------|
| <b>POLY SLEEVE ●</b>  |               |           |
|  | 30°           | 513M3     |
|  | 70°           | 513M7     |
| <b>METAL SLEEVE</b>   |               |           |
|  | 0° (Straight) | 593M0     |
|  | 30°           | 593M3     |
|  | 70°           | 593M7     |

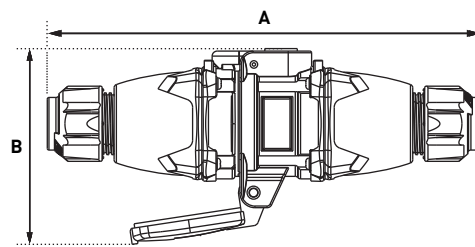
# DRAWINGS AND DIMENSIONS

PLUG ON SOCKET-OUTLET



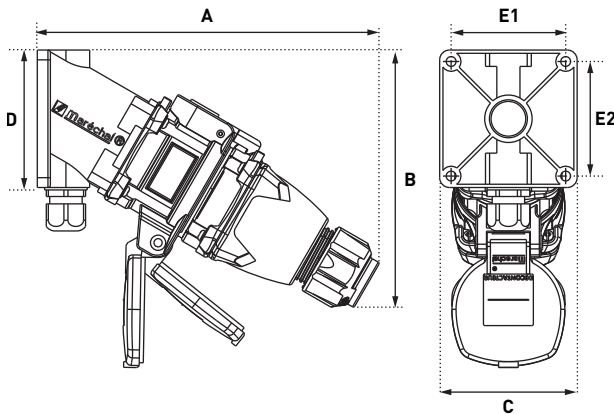
| A   | B   | C  | E  |
|-----|-----|----|----|
| 179 | 184 | 80 | 55 |

COUPLER



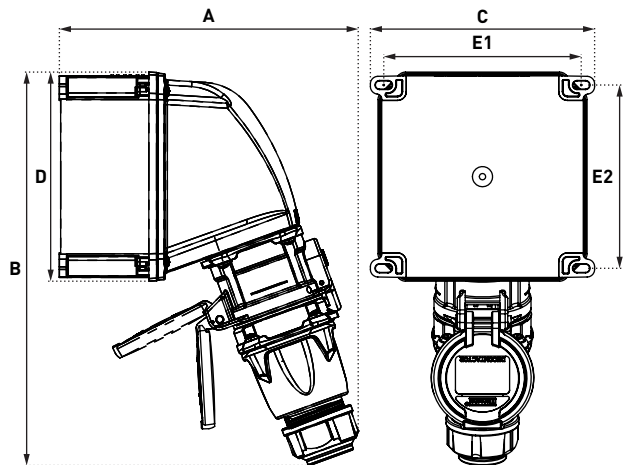
| A   | B   |
|-----|-----|
| 277 | 145 |

PLUG ON 30° WALL MOUNTED SOCKET OUTLET



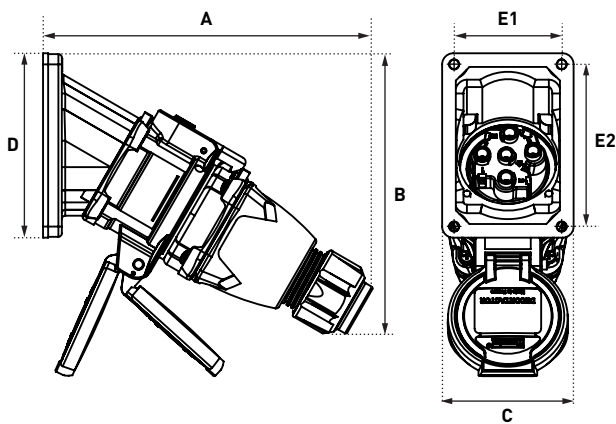
| A   | B   | C  | D   | E1 | E2 |
|-----|-----|----|-----|----|----|
| 235 | 219 | 89 | 100 | 77 | 88 |

PLUG ON 70° WALL-MOUNTED SOCKET-OUTLET



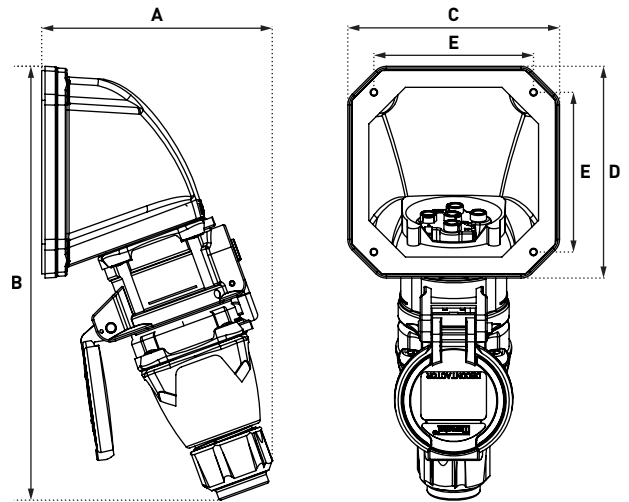
| A   | B   | C   | D   | E1  | E2  |
|-----|-----|-----|-----|-----|-----|
| 238 | 313 | 178 | 166 | 157 | 146 |

PLUG ON 30° INCLINED SOCKET-OUTLET



| A   | B   | C  | D   | E1 | E2 |
|-----|-----|----|-----|----|----|
| 208 | 214 | 77 | 108 | 63 | 95 |

PLUG ON 70° INCLINED SOCKET-OUTLET



| A   | B   | C   | D   | E   |
|-----|-----|-----|-----|-----|
| 169 | 313 | 166 | 166 | 135 |



# 50 A

500 V  
U<sub>MAXI</sub>

## FLAT CONNECTOR FC



IP54



6 - 10 mm<sup>2</sup>



GRP



IK09



-40 °C  
+60 °C

**Suitable for flat cables** with width between 26 mm and 40 mm and height between 7 mm and 11 mm

### OTHER FEATURES

|                              |                        |
|------------------------------|------------------------|
| Polarity                     | 4P+E                   |
| Flexible wiring (min.-max.)  | 6 - 10 mm <sup>2</sup> |
| Stranded wiring (min.-max.)  | 6 - 10 mm <sup>2</sup> |
| Number of operations         | 2000 cycles            |
| IP protection plug connected | IP54                   |
| IP protection disconnected   | IP2X                   |



# REFERENCES AND ACCESSORIES

**SOCKET-OUTLET** female  
**FC**



**INLET** male  
**FC**



|          |     |         |         |
|----------|-----|---------|---------|
| 500 V AC | 4+E | 05F4007 | 05F8007 |
|----------|-----|---------|---------|

## ACCESSORIES

## Reference

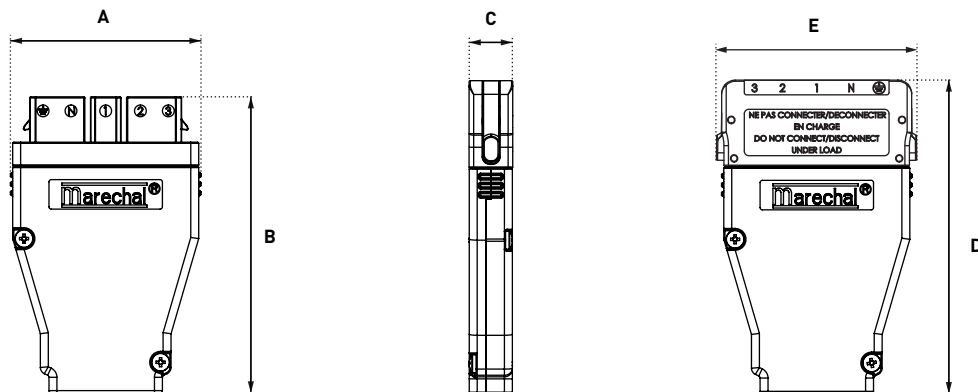
### HANDLES



01FA013

Adapter accessory for 5G6 flat cables is included.

# DRAWINGS AND DIMENSIONS



| A  | B   | C  | D   | E  |
|----|-----|----|-----|----|
| 84 | 131 | 19 | 138 | 89 |

# 63 A

1 000 V  
U MAXI

## DECONTACTOR™ DSN6



IP66  
IP67  
IP69



6-16 mm<sup>2</sup> (1)  
10-25 mm<sup>2</sup> (2)



GRP



IK09



-40 °C  
+60 °C



AC-22  
AC-23



60309-1  
60309-4  
60947-3



4 AUX. (3)

(1) Flexible wiring (min.-max.).  
(2) Stranded wiring (min.-max.).  
(3) Flexible wiring : 1-2,5 mm<sup>2</sup>,  
stranded : 1,5-4 mm<sup>2</sup>



**Other cable sections:  
please contact us**



**For a black colour  
housing replace the second  
reference character with 5.**

### LOAD-BREAK CAPABILITY OF THE DECONTACTOR™

|   |                               |
|---|-------------------------------|
| Comply with IEC/EN 60309-1 and IEC/EN 60309-4 standards | (63 A/690 V) or (45 A/1000 V) |
| Load-break capability according to IEC/EN 60947-3/AC-22 | 40 A/690 V                    |
| Load-break capability according to IEC/EN 60947-3/AC-23 | 63 A/400 V                    |
| Short-circuit current I <sub>cc</sub>                   | 10 kA                         |
| Power kW AC-22/AC-23                                    | 30 kW                         |

### SOCKET-OUTLET

female  
DSN6











INLET male  
DSN6



**Dual-voltage  
socket-outlet  
(see p. 11)**

|                           |              |            |            |
|---------------------------|--------------|------------|------------|
| 20-24 V AC                | 2P           | 616408A    | 616808A    |
| 190-230 V AC              | 3P+E         | 6164033    | 6168033    |
| 220-250 V AC              | 1P+N+E       | 6164015    | 6168015    |
| 380-440 V AC              | 3P+E         | 6164013    | 6168013    |
| 220-250 V AC 380-440 V AC | 3P+N+E       | 6164017    | 6168017    |
| 660-690 V                 | 3P+E         | 6164193    | 6168193    |
| 380-400 V 660-690 V       | 3P+N+E       | 6164197    | 6168197    |
| Auxiliaries 16 A/400 V AC | + 2 contacts | Ref. + 972 | Ref. + 972 |
| Auxiliaries 16 A/400 V AC | + 4 contacts | Ref. + 264 | Ref. + 264 |

► Other currents, voltages, frequencies and contact configurations are available (see page 14).

| OPTIONS   | Reference               |
|---|-------------------------|
| <b>LOCKING PIN FOR 2 PADLOCKS Ø 4 TO 8 mm (PADLOCK NOT SUPPLIED)</b>                |                         |
|    | Socket-outlet ref. +843 |
| <b>SAFETY HASP FOR UP TO 6 PADLOCKS</b>   |                         |
|    | 613A541                 |
| <b>LARGER RELEASE BUTTON</b>  |                         |
|    | Ref. socket +453        |
| <b>INLET CAP IP66/IP67</b>  |                         |
|    | 616A426                 |
| <b>IN-LINE CONNECTIONS (A PAIR OF FINGER DRAW PLATES TO AID CLOSING)</b>            |                         |
|    | 616A346                 |
| <b>IP40 SELF RETURNING LID (MANUAL CLOSING)</b>                                     |                         |
|    | Socket-outlet ref.+R    |
| <b>IP55 METAL LOCKABLE SELF-CLOSING LID FOR INLET</b>                               |                         |
|   | 616A226                 |
| <b>SELF-EJECTION</b>  |                         |
|  | See page 192            |






**PRODUCTS AVAILABLE IN BLACK ●**








The black dot means these products are also available in black color. Replace the second character of the product reference with 5

**PRODUCT WITH ANTI-BACTERIAL TREATMENT ●**





**NEW**

This sticker means that the product is also available with an antibacterial treatment. Add the suffix AG to the reference. For more information on anti-bacterial treated handles please consult us.

| SLEEVE  | Reference           |
|---|---------------------|
| <b>POLY SLEEVE ●</b>  |                     |
|  | 30° 513M3           |
|  | 70° 513M7           |
| <b>METAL SLEEVE</b>   |                     |
|  | 0° (Straight) 593M0 |
|  | 30° 593M3           |
|  | 70° 593M7           |

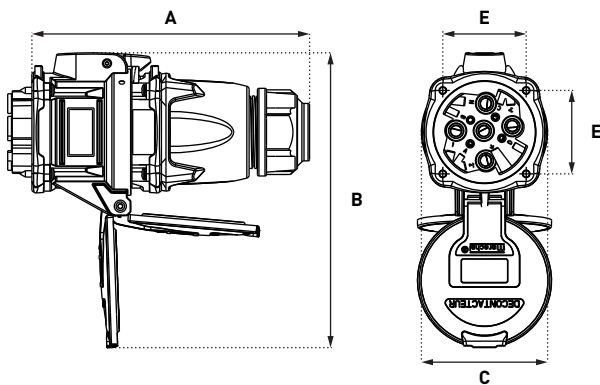
| BOXES *   | Input             | Reference |
|---|-------------------|-----------|
| <b>POLY BOX ●</b>   |                   |           |
|    | 30° M25           | 513B3M25  |
| <b>METAL BOX (+ EARTHING WIRE)</b>  |                   |           |
|    | 20° M20           | 593B2M20  |
|   | 20° M25           | 593B2M25  |
|   | 20° M32           | 593B2M32  |
| <b>POLY BOX + POLY SLEEVE (BLACK VERSION SEE ACCESSORIES DXN6 PAGE 259)</b>         |                   |           |
|    | 70° Without hole  | 513C7000  |
|   | 70° Hole Ø 25     | 513C7M25  |
|   | 70° Hole Ø 32     | 513C7M32  |
| Earth bar ref.: 51AA089   | 70° Hole Ø 40     | 513C7M40  |
| <b>METAL BOX (+ EARTHING WIRE) + POLY SLEEVE</b>                                    |                   |           |
|    | 30° M20           | 513C3M20  |
|   | 30° M25           | 513C3M25  |
|   | 30° M32           | 513C3M32  |
|   | 30° M40           | 513C3M40  |
| <b>METAL BOX (+ EARTHING WIRE) + METAL SLEEVE</b>                                   |                   |           |
|    | 30° M20           | 593C3M20  |
|   | 30° M25           | 593C3M25  |
|   | 30° M32           | 593C3M32  |
|   | 30° M40           | 593C3M40  |
|  | 0° (Straight) M20 | 593C0M20  |
|   | 0° (Straight) M25 | 593C0M25  |
|   | 0° (Straight) M32 | 593C0M32  |
|   | 0° (Straight) M40 | 593C0M40  |
|  | 70° M20           | 593C7M20  |
|   | 70° M25           | 593C7M25  |
|   | 70° M32           | 593C7M32  |
|   | 70° M40           | 593C7M40  |

\* Cable glands are not delivered with the boxes.

| HANDLE  | Input/<br>Cable outer Ø | Reference | Self-ejection |
|---|-------------------------|-----------|---------------|
| <b>POLY HANDLE WITH GLAND ●●</b>  |                         |           |               |
|  | 10-30 mm                | 513P0D30  | /             |
| <b>POLY HANDLE + POLY CABLE GLAND ●●</b>  |                         |           |               |
|  | 5-12 mm                 | 513P020P  | Ref. +443     |
|   | 9-18 mm                 | 513P025P  | Ref. +443     |
|   | 14-25 mm                | 513P032P  | Ref. +443     |
|   | 18-32 mm                | 513P040P  | Ref. +443     |
| <b>METAL HANDLE WITH METAL GLAND (+ EARTHING WIRE)</b>                              |                         |           |               |
|  | 7-13 mm                 | 593P020M  | /             |
|   | 8-16 mm                 | 593P025M  | /             |
|   | 16-24 mm                | 593P032M  | /             |
|   | 22-32 mm                | 593P040M  | /             |
| <b>POLY HANDLE (WITHOUT CABLE GLAND) ●</b>  |                         |           |               |
|  | M20                     | 513P0M20  | Ref. +443     |
|   | M25                     | 513P0M25  | Ref. +443     |
|   | M32                     | 513P0M32  | Ref. +443     |
|   | M40                     | 513P0M40  | Ref. +443     |
| <b>METAL HANDLE METRIC THREAD ENTRY (WITHOUT CABLE GLAND)</b>                       |                         |           |               |
|  | M20                     | 593P0M20  | /             |
|   | M25                     | 593P0M25  | /             |
|   | M32                     | 593P0M32  | /             |
|   | M40                     | 593P0M40  | /             |

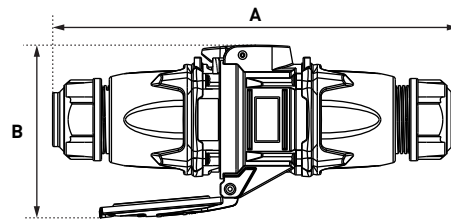
# DRAWINGS AND DIMENSIONS

PLUG ON SOCKET-OUTLET



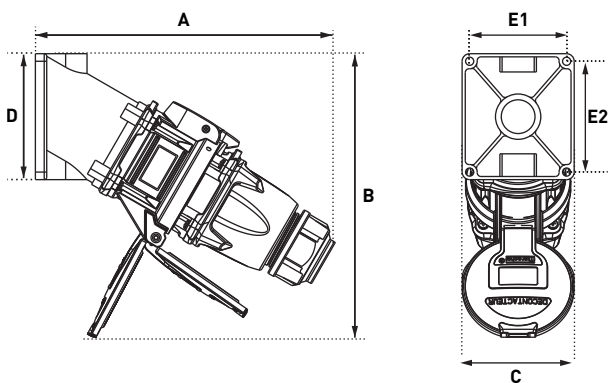
| A   | B   | C  | E  |
|-----|-----|----|----|
| 184 | 195 | 84 | 55 |

COUPLER



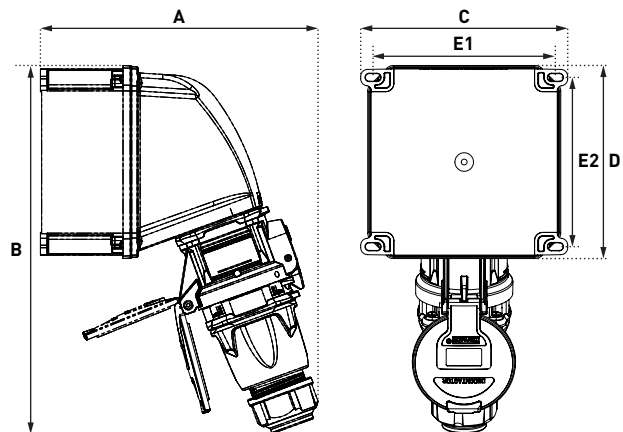
| A   | B   |
|-----|-----|
| 286 | 122 |

PLUG ON 30° WALL MOUNTED SOCKET OUTLET



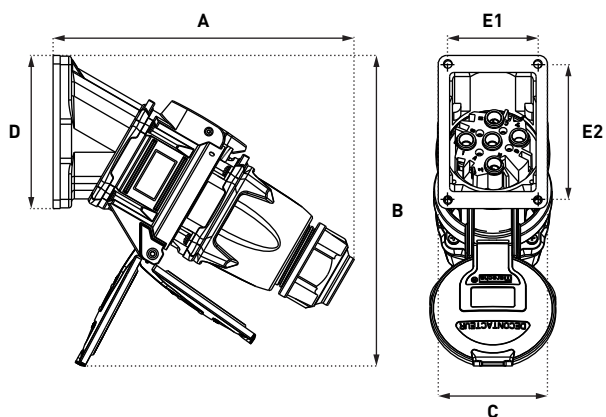
| A   | B   | C  | D   | E1 | E2 |
|-----|-----|----|-----|----|----|
| 238 | 225 | 89 | 100 | 77 | 88 |

PLUG ON 70° WALL-MOUNTED SOCKET-OUTLET

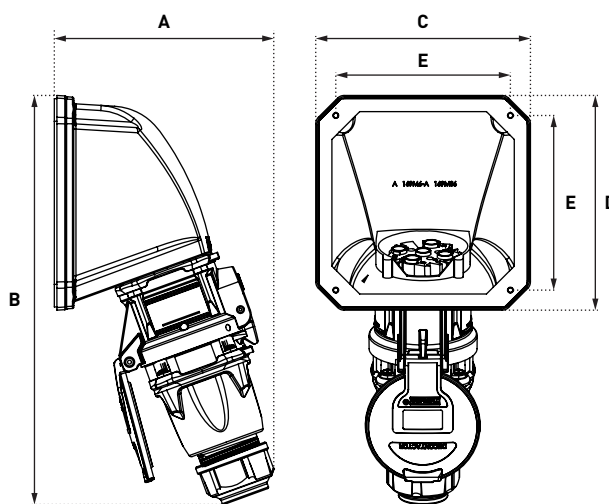


| A   | B   | C   | D   | E1  | E2  |
|-----|-----|-----|-----|-----|-----|
| 239 | 317 | 178 | 166 | 157 | 146 |

PLUG ON 30° INCLINED SOCKET-OUTLET



PLUG ON 70° INCLINED SOCKET-OUTLET



| A   | B   | C  | D   | E1 | E2 |
|-----|-----|----|-----|----|----|
| 212 | 219 | 77 | 108 | 64 | 95 |

| A   | B   | C   | D   | E   |
|-----|-----|-----|-----|-----|
| 170 | 317 | 166 | 166 | 135 |

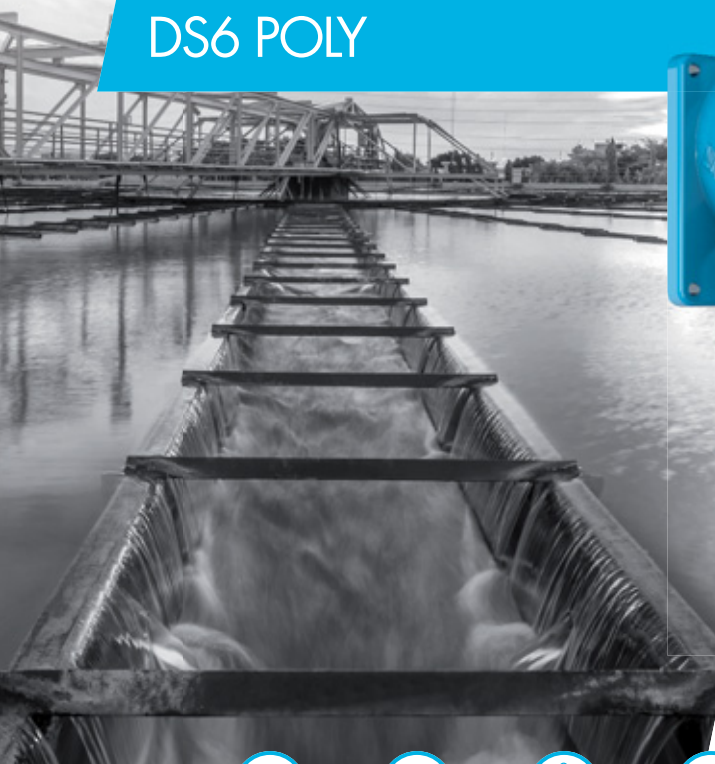


# 90 A

# 1 000 V

U MAXI

## DECONTACTOR™ DS6 POLY



IP66  
IP67



10-25 mm<sup>2</sup> (1)  
10-35 mm<sup>2</sup> (2)



GRP



IK09



-40 °C  
+60 °C



AC-22  
AC-23



60309-1  
60309-4



4 AUX. (3)

(1) Flexible wiring (min.-max.).  
(2) Stranded wiring (min.-max.).  
(3) Flexible wiring 2,2 mm<sup>2</sup>.



Other cable sections:  
please contact us

GRP devices are not  
compatible with metal  
devices.



For a black colour  
housing replace the second  
reference character with 5.

Dual-voltage  
socket-outlet  
(see p. 11)

### LOAD-BREAK CAPABILITY OF THE DECONTACTOR™

|   |                               |
|---|-------------------------------|
| Comply with IEC/EN 60309-1 and IEC/EN 60309-4 standards | (90 A/690 V) or (63 A/1000 V) |
| Load-break capability according to IEC/EN 60947-3/AC-22 | 63 A/690 V                    |
| Load-break capability according to IEC/EN 60947-3/AC-23 | 90 A/400 V                    |
| Short-circuit current I <sub>cc</sub>                   | 10 kA                         |
| Power kW AC-22/AC-23                                    | 45 kW                         |

### SOCKET-OUTLET

female  
DS6













INLET male  
DS6






|                           |              |            |            |
|---------------------------|--------------|------------|------------|
| 220-250 V AC              | 1P+N+E       | 3164015    | 3168015    |
| 380-440 V AC              | 3P+E         | 3164013    | 3168013    |
| 220-250 V AC 380-440 V AC | 3P+N+E       | 3164017    | 3168017    |
| 660-690 V AC              | 3P+E         | 3164193    | 3168193    |
| 380-400 V AC 660-690 V AC | 3P+N+E       | 3164197    | 3168197    |
| 1 000 V AC                | 3P+E         | 3164223    | 3168223    |
| Auxiliaries 5 A/500 V AC  | + 2 contacts | Ref. + 972 | Ref. + 972 |
| Auxiliaries 5 A/500 V AC  | + 4 contacts | Ref. + 264 | Ref. + 264 |


- ▶ Other currents, voltages, frequencies and contact configurations are available (see page 14).
- ▶ Existing version for 100 A is available, order Reference +228.


| OPTIONS  | Reference               |
|--|-------------------------|
| <b>LOCKING PIN FOR 2 PADLOCKS Ø 4 TO 8 mm (PADLOCKS NOT SUPPLIED)</b>  |                         |
|   | Socket-outlet ref. +843 |
| <b>SAFETY HASP FOR UP TO 6 PADLOCKS</b>  |                         |
|   | 399A541                 |
| <b>LARGER RELEASE BUTTON</b>   |                         |
|   | Ref. socket +453        |
| <b>INLET CAP IP66/IP67</b>   |                         |
|   | 316A426                 |
| <b>IN-LINE CONNECTIONS (A PAIR OF FINGER DRAW PLATES TO AID CLOSING)</b>   |                         |
|   | 316A346                 |
| <b>IP40 SELF RETURNING LID (MANUAL CLOSING)</b>  |                         |
|   | Ref. socket + R         |
| <b>IP55 METAL LOCKABLE SELF-CLOSING LID FOR INLET</b>  |                         |
|    | 316A226                 |
| <b>SELF-EJECTION</b>   |                         |
|   | See page 192            |
| <b>PRODUCTS AVAILABLE IN BLACK ●</b>   |                         |
| The black dot means these products are also available in black color. Replace the second character of the product reference with 5 |                         |



| HANDLE  | Input/<br>Cable outer Ø | Reference | Self-ejection |
|---|-------------------------|-----------|---------------|
| <b>ELASTOMER HANDLE WITH GLAND</b>  |                         |           |               |
|  | 18-25 mm                | 554P0D25L | Ref. +443     |
|   | 25-35 mm                | 554P0D35L | Ref. +443     |
|   | 35-45 mm                | 554P0D45L | Ref. +443     |
|   | 45-49 mm                | 554P0D49L | Ref. +443     |
| <b>POLY HANDLE WITH GLAND ●</b>   |                         |           |               |
|  | 13-35 mm                | 514P0D35  | /             |
| <b>POLY HANDLE + POLY CABLE GLAND ●</b>   |                         |           |               |
|  | 14-25 mm                | 514P032P  | Ref. +443     |
|   | 18-32 mm                | 514P040P  | Ref. +443     |
|   | 24-38 mm                | 514P050P  | Ref. +443     |
| <b>POLY HANDLE (WITHOUT CABLE GLAND) ●</b>  |                         |           |               |
|  | M32                     | 514P0M32  | Ref. +443     |
|   | M40                     | 514P0M40  | Ref. +443     |
|   | M50                     | 514P0M50  | /             |
| <b>METAL HANDLE METRIC THREAD ENTRY (WITHOUT CABLE GLAND)</b>                       |                         |           |               |
|  | M25                     | 594P0M25  | /             |
|   | M32                     | 594P0M32  | /             |
|   | M40                     | 594P0M40  | /             |
|   | M50                     | 594P0M50  | /             |

| HANDLE  | Input/Cable outer Ø | Reference |
|---|---------------------|-----------|
| <b>METAL HANDLE WITH METAL GLAND (+ EARTHING WIRE)</b>                            |                     |           |
|  | 8-16 mm             | 594P025M  |
|   | 16-24 mm            | 594P032M  |
|   | 22-32 mm            | 594P040M  |
|   | 34-44 mm            | 594P050M  |



| BOXES   | ∠x° | Input | Reference |
|---|-----|-------|-----------|
| <b>POLY BOX ●</b>   |     |       |           |
|  | 30° | M32   | 514B3M32  |
|   | 30° | M40   | 514B3M40  |
| <b>METAL BOX (+ EARTHING WIRE)</b>  |     |       |           |
|  | 20° | M25   | 594B2M25  |
|   | 20° | M32   | 594B2M32  |
|   | 20° | M40   | 594B2M40  |

| <b>POLY BOX + POLY SLEEVE</b>   |     |              |          |
|---|-----|--------------|----------|
|  | 70° | Without hole | 514C7000 |
|   | 70° | Hole Ø 32    | 514C7M32 |
|   | 70° | Hole Ø 40    | 514C7M40 |
| Earth bar ref. : 51AA089  |     |              |          |

| <b>METAL BOX (+ EARTHING WIRE) + POLY SLEEVE</b>                                   |     |     |          |
|--|-----|-----|----------|
|  | 30° | M25 | 514C3M25 |
|  | 30° | M32 | 514C3M32 |
|  | 30° | M40 | 514C3M40 |
|  | 30° | M50 | 514C3M50 |

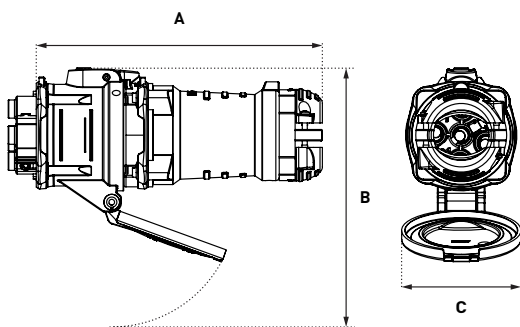
| <b>METAL BOX (+ EARTHING WIRE) + METAL SLEEVE</b>                                   |   |     |          |          |
|---|---|-----|----------|----------|
|  | 30°   | M25 | 594C3M25 |          |
|   | 30°   | M32 | 594C3M32 |          |
|   | 30°   | M40 | 594C3M40 |          |
|   | 30°   | M50 | 594C3M50 |          |
|   | 0° (Straight)   | M25 | 594C0M25 |          |
|   | 0° (Straight)   | M32 | 594C0M32 |          |
|   | 0° (Straight)   | M40 | 594C0M40 |          |
|   | 0° (Straight)   | M50 | 594C0M50 |          |
|   |  | 70° | M25      | 594C7M25 |
|   |   | 70° | M32      | 594C7M32 |
| 70°   |   | M40 | 594C7M40 |          |
|   | 70°   | M50 | 594C7M50 |          |

Cable glands are not delivered with the boxes.

| SLEEVE  | ∠x°           | Reference |
|---|---------------|-----------|
| <b>POLY SLEEVE</b>  |               |           |
|  | 30°           | 514M3     |
|   | 70°           | 514M7     |
| <b>METAL SLEEVE</b>   |               |           |
|  | 0° (Straight) | 594M0     |
|   | 30°           | 594M3     |
|   | 70°           | 594M7     |

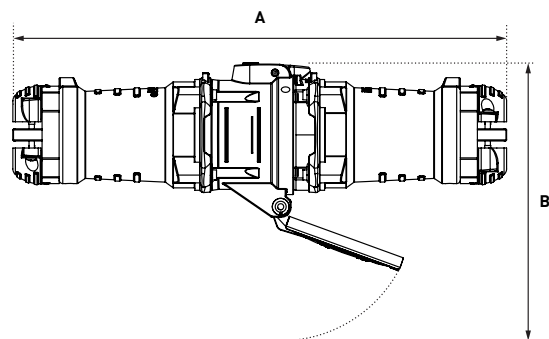
# DRAWINGS AND DIMENSIONS

PLUG ON SOCKET-OUTLET



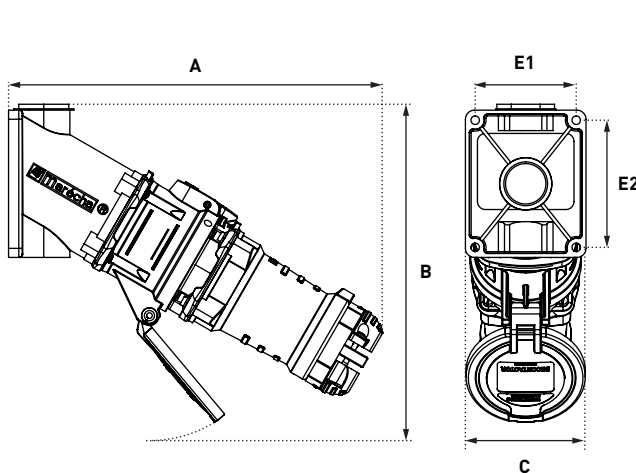
| A   | B   | C   |
|-----|-----|-----|
| 252 | 228 | 105 |

COUPLER



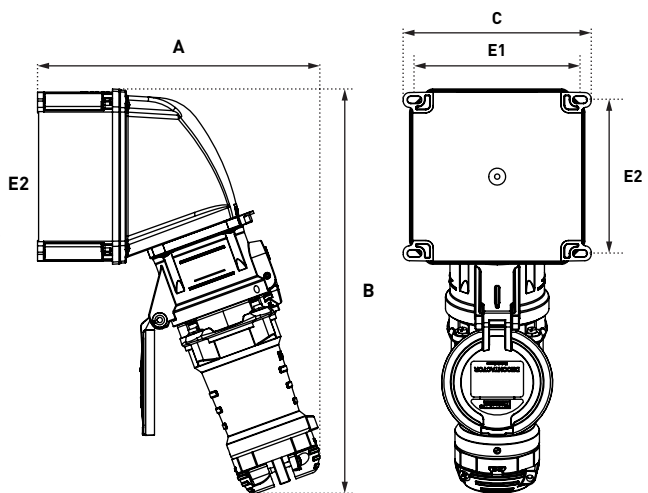
| A   | B   |
|-----|-----|
| 405 | 228 |

PLUG ON 30° WALL MOUNTED SOCKET OUTLET



| A   | B   | C   | E1 | E2  |
|-----|-----|-----|----|-----|
| 329 | 296 | 105 | 89 | 112 |

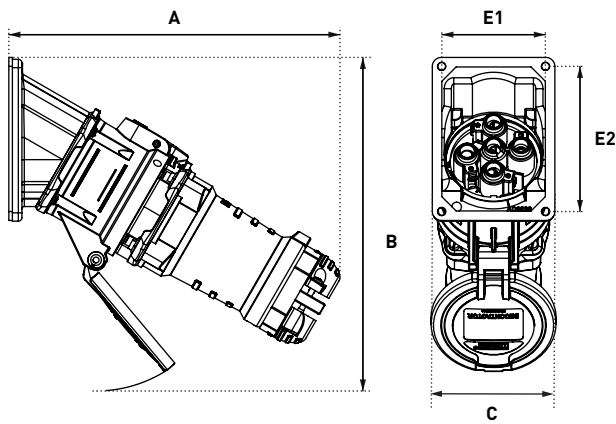
PLUG ON 70° WALL-MOUNTED SOCKET-OUTLET



| A   | B   | C   | E1  | E2  |
|-----|-----|-----|-----|-----|
| 267 | 383 | 178 | 157 | 145 |

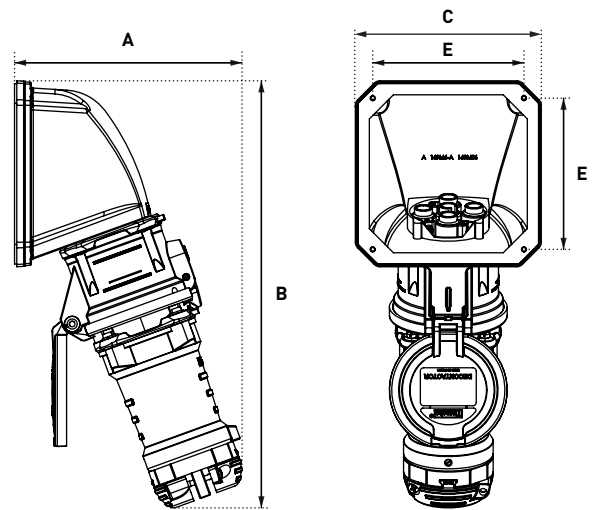


PLUG ON 30° INCLINED SOCKET-OUTLET



| A   | B   | C   | E1 | E2  |
|-----|-----|-----|----|-----|
| 278 | 280 | 105 | 87 | 122 |

PLUG ON 70° INCLINED SOCKET-OUTLET



| A   | B   | C   | E   |
|-----|-----|-----|-----|
| 203 | 381 | 166 | 135 |



# 90 A

1 000 V  
U MAXI

## DECONTACTOR™ DS6 METAL



IP66  
IP67



10-25 mm<sup>2</sup> (1)  
10-35 mm<sup>2</sup> (2)



METAL



IK09



-40 °C  
+60 °C



AC-22  
AC-23



60309-1  
60309-4  
60947-3



4 AUX. (3)



EMC

(1) Flexible wiring (min.-max.).  
(2) Stranded wiring (min.-max.).  
(3) Flexible wiring : 2,2 mm<sup>2</sup>.



Other configurations on request

GRP devices are not compatible with metal devices.

### LOAD-BREAK CAPABILITY OF THE DECONTACTOR™

|   |                               |
|---|-------------------------------|
| Comply with IEC/EN 60309-1 and IEC/EN 60309-4 standards | (90 A/690 V) or (63 A/1000 V) |
| Load-break capability according to IEC/EN 60947-3/AC-22 | 63 A/690 V                    |
| Load-break capability according to IEC/EN 60947-3/AC-23 | 90 A/400 V                    |
| Short-circuit current I <sub>cc</sub>                   | 10 kA                         |
| Power kW AC-22/AC-23                                    | 45 kW                         |

SOCKET-  
OUTLET female  
DS6



INLET male  
DS6







Dual-voltage  
socket-outlet  
(see p. 11)




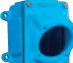



|                             |              |            |            |
|-----------------------------|--------------|------------|------------|
| 220-250 V AC                | 1P+N+E       | 3964015    | 3968015    |
| 380-440 V AC                | 3P+E         | 3964013    | 3968013    |
| 220-250 V AC / 380-440 V AC | 3P+N+E       | 3964017    | 3968017    |
| 660-690 V AC                | 3P+E         | 3964193    | 3968193    |
| 380-400 V AC / 660-690 V AC | 3P+N+E       | 3964197    | 3968197    |
| 1 000 V AC                  | 3P+E         | 3964223    | 3968223    |
| Auxiliaries 5 A/500 V AC    | + 2 contacts | Ref. + 972 | Ref. + 972 |
| Auxiliaries 5 A/500 V AC    | + 4 contacts | Ref. + 264 | Ref. + 264 |

- ▶ Other currents, voltages, frequencies and contact configurations are available (see page 14).
- ▶ Existing version for 100A is available, order Reference +228.






| OPTIONS   | Reference  |
|---|--|
| <b>LOCKING PIN FOR 2 PADLOCKS Ø 4 TO 8 mm (PADLOCKS NOT SUPPLIED)</b>               |  |
|    | Socket-outlet ref. +843  |
| <b>SAFETY HASP FOR UP TO 6 PADLOCKS</b>   |  |
|    | 399A541  |
| <b>LARGER RELEASE BUTTON</b>  |  |
|    | Ref. socket +453   |
| <b>INLET CAP IP66/IP67</b>  |  |
|    | 316A426  |
| <b>IN-LINE CONNECTIONS (A PAIR OF FINGER DRAW PLATES TO AID CLOSING)</b>            |  |
|    | 316A346  |
| <b>IP40 SELF RETURNING LID (MANUAL CLOSING)</b>                                     |  |
|    | Ref. socket + R  |
| <b>IP55 METAL LOCKABLE SELF-CLOSING LID FOR INLET</b>                               |  |
|  | 396A226  |
| <b>ELECTROMAGNETIC COMPATIBILITY (EMC)</b> ● <b>NEW</b>                             |  |
|  | Please order a metal threaded accessory herewith, together with a EMC cable gland to be found on page 318. |
| <b>SELF-EJECTION</b>  |  |
|  | See page 192   |

| HANDLE  | Input/Cable outer Ø | Reference | Self-ejection |
|---|---------------------|-----------|---------------|
| <b>ELASTOMER HANDLE WITH GLAND</b>  |                     |           |               |
|  | 18-25 mm            | 554P0D25L | Ref. +443     |
|   | 25-35 mm            | 554P0D35L | Ref. +443     |
|   | 35-45 mm            | 554P0D45L | Ref. +443     |
|   | 45-49 mm            | 554P0D49L | Ref. +443     |

| SLEEVE  | ∠ X°          | Reference |         |
|---|---------------|-----------|---------|
|   |               | POLY      | METAL ● |
|  | 0° (Straight) | /         | 594M0   |
|  | 30°           | 514M3     | 594M3   |
|  | 70°           | 514M7     | 594M7   |

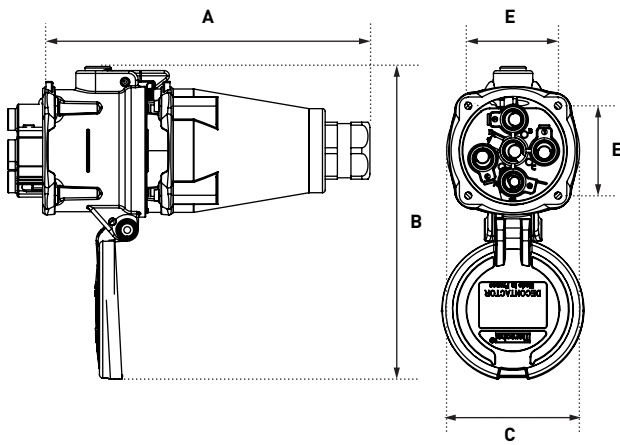
| BOXES   | ∠ X°          | Input              | Reference |
|---|---------------|--------------------|-----------|
| <b>POLY BOX</b>   |               |                    |           |
|    | 30°           | M32                | 514B3M32  |
|   | 30°           | M40                | 514B3M40  |
| <b>METAL BOX (+ EARTHING WIRE) ●</b>  |               |                    |           |
|    | 20°           | M25                | 594B2M25  |
|   | 20°           | M32                | 594B2M32  |
|   | 20°           | M40                | 594B2M40  |
| <b>POLY BOX + POLY SLEEVE</b>   |               |                    |           |
|    | 70°           | Without hole       | 514C7000  |
|   | 70°           | Ø 32 mm drill hole | 514C7M32  |
| Earth bar ref. : 51AA089  | 70°           | Ø 40 mm drill hole | 514C7M40  |
| <b>METAL BOX (+ EARTHING WIRE) + POLY SLEEVE</b>                                    |               |                    |           |
|    | 30°           | M25                | 514C3M25  |
|   | 30°           | M32                | 514C3M32  |
|   | 30°           | M40                | 514C3M40  |
|   | 30°           | M50                | 514C3M50  |
| <b>METAL BOX (+ EARTHING WIRE) + METAL SLEEVE ●</b>                                 |               |                    |           |
|    | 30°           | M25                | 594C3M25  |
|   | 30°           | M32                | 594C3M32  |
|   | 30°           | M40                | 594C3M40  |
|   | 30°           | M50                | 594C3M50  |
|   | 0° (Straight) | M25                | 594C0M25  |
|   | 0° (Straight) | M32                | 594C0M32  |
|   | 0° (Straight) | M40                | 594C0M40  |
|   | 0° (Straight) | M50                | 594C0M50  |
|  | 70°           | M25                | 594C7M25  |
|   | 70°           | M32                | 594C7M32  |
|   | 70°           | M40                | 594C7M40  |
|   | 70°           | M50                | 594C7M50  |

Cable glands are not delivered with the boxes.

| HANDLE  | Input/Cable outer Ø | Reference | Self-ejection |
|---|---------------------|-----------|---------------|
| <b>POLY HANDLE WITH GLAND</b>   |                     |           |               |
|  | 13-35 mm            | 514P0D35  | /             |
| <b>POLY HANDLE + POLY CABLE GLAND</b>   |                     |           |               |
|  | 14-25 mm            | 514P032P  | Ref. +443     |
|   | 18-32 mm            | 514P040P  | Ref. +443     |
|   | 24-38 mm            | 514P050P  | Ref. +443     |
| <b>POLY HANDLE (WITHOUT CABLE GLAND)</b>  |                     |           |               |
|  | M32                 | 514P0M32  | Ref. +443     |
|   | M40                 | 514P0M40  | Ref. +443     |
|   | M50                 | 514P0M50  | /             |
| <b>METAL HANDLE + METAL CABLE GLAND (+ EARTHING WIRE) ●</b>                         |                     |           |               |
|  | 8-16 mm             | 594P025M  | /             |
|   | 16-24 mm            | 594P032M  | /             |
|   | 22-32 mm            | 594P040M  | /             |
|   | 34-44 mm            | 594P050M  | /             |
| <b>METAL HANDLE METRIC THREAD ENTRY (WITHOUT CABLE GLAND) ●</b>                     |                     |           |               |
|  | M25                 | 594P0M25  | /             |
|   | M32                 | 594P0M32  | /             |
|   | M40                 | 594P0M40  | /             |
|   | M50                 | 594P0M50  | /             |

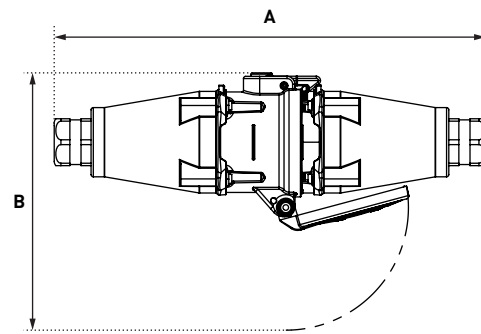
# DRAWINGS AND DIMENSIONS

PLUG ON SOCKET-OUTLET



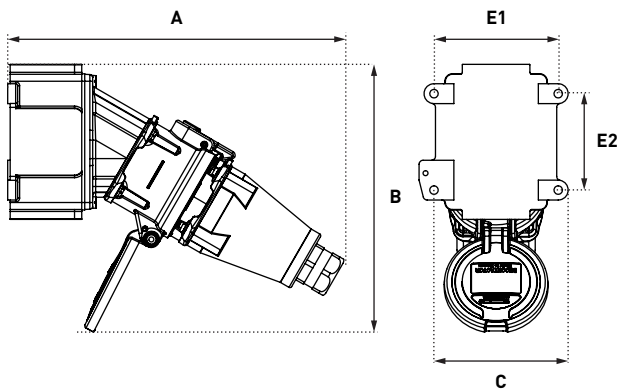
| A   | B   | C   | E  |
|-----|-----|-----|----|
| 241 | 230 | 104 | 66 |

COUPLER



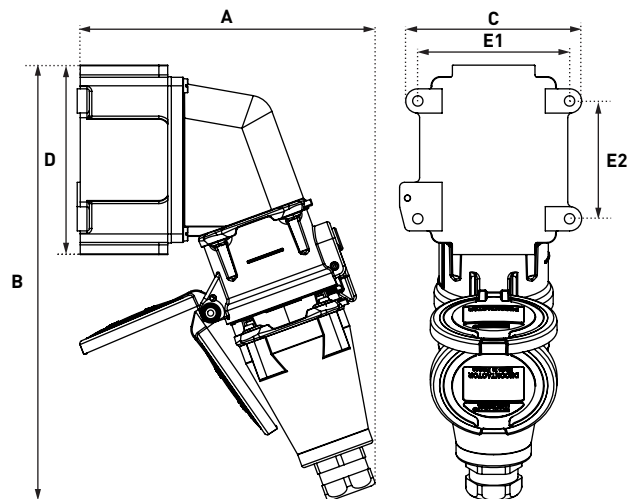
| A   | B   |
|-----|-----|
| 386 | 230 |

PLUG ON 30° WALL MOUNTED SOCKET OUTLET



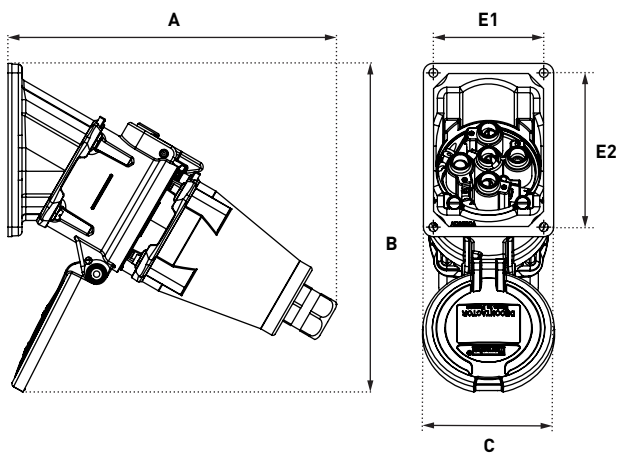
| A   | B   | C   | E1  | E2 |
|-----|-----|-----|-----|----|
| 338 | 270 | 135 | 125 | 97 |

PLUG ON 70° WALL-MOUNTED SOCKET-OUTLET



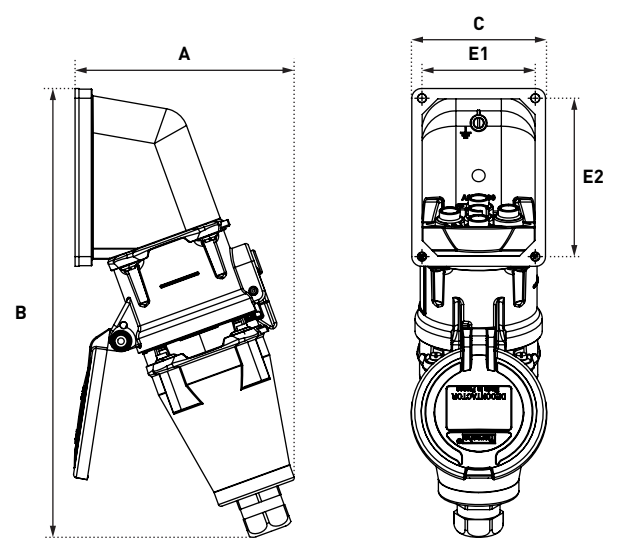
| A   | B   | C   | D   | E1  | E2 |
|-----|-----|-----|-----|-----|----|
| 246 | 357 | 145 | 166 | 125 | 97 |

PLUG ON 30° INCLINED SOCKET-OUTLET



| A   | B   | C   | D   | E1 | E2  |
|-----|-----|-----|-----|----|-----|
| 279 | 257 | 102 | 136 | 88 | 122 |

PLUG ON 70° INCLINED SOCKET-OUTLET



| A   | B   | C   | E1 | E2  |
|-----|-----|-----|----|-----|
| 169 | 346 | 104 | 88 | 122 |



# 125 A

# 440 V U MAXI

## HIGH TEMPERATURE PLUG DSHT

 150°C



IP44



10-35 mm<sup>2</sup> (1)  
10-50 mm<sup>2</sup> (2)



METAL



IK09



2 AUX.

(1) Flexible wiring (min.-max.).  
(2) Stranded wiring (min.-max.).



No breaking under load

Other configurations on request

### OTHER FEATURES

Pre-cabled auxiliaries - high-temperature cable

1.5 mm<sup>2</sup>

Earthing cable section

35 mm<sup>2</sup> max.






SOCKET-OUTLET  
DSHT





INLET  
DSHT

|                           |              |            |            |
|---------------------------|--------------|------------|------------|
| 220-250 V AC              | 1P+N+E       | 3964H15    | 3968H15    |
| 380-440 V AC              | 3P+E         | 3964H13    | 3968H13    |
| 220-250 V AC 380-440 V AC | 3P+N+E       | 3964H17    | 3968H17    |
| Auxiliaries 5 A/500 V AC  | + 2 contacts | Ref. + 972 | Ref. + 972 |

| OPTIONS   | Reference |
|---|-----------|
| <b>LOCKING PIN FOR 2 PADLOCKS Ø 4 TO 8 mm<br/>(PADLOCKS NOT SUPPLIED)</b>         |           |
|  | Réf + 843 |

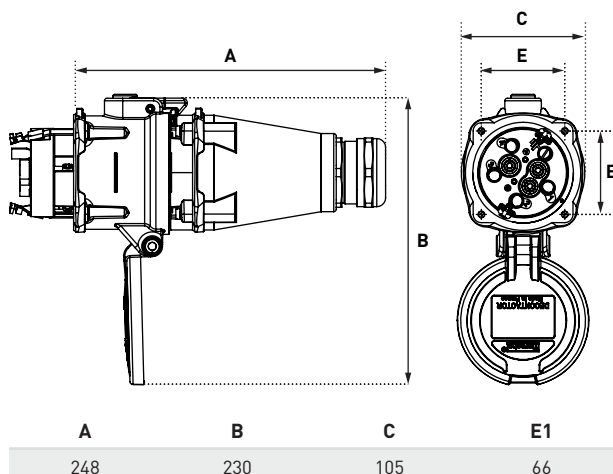
| BOXES<br>(WITHOUT CABLE GLAND)  |  | Input | Reference   |
|---|---|-------|-------------|
| <b>METAL BOX (+ EARTHING WIRE) + METAL SLEEVE</b>                                 |   |       |             |
|  | 30°   | M25   | 574C3M25185 |
|   | 30°   | M32   | 574C3M32185 |
|   | 30°   | M40   | 574C3M40185 |
|   | 30°   | M50   | 574C3M50185 |

| HANDLE<br>(WITHOUT CABLE GLAND)   | Input | Reference   |
|---|-------|-------------|
| <b>METAL HANDLE (+ EARTHING WIRE)</b>   |       |             |
|  | M25   | 574P0M25185 |
|   | M32   | 574P0M32185 |
|   | M40   | 574P0M40185 |
|   | M50   | 574P0M50185 |

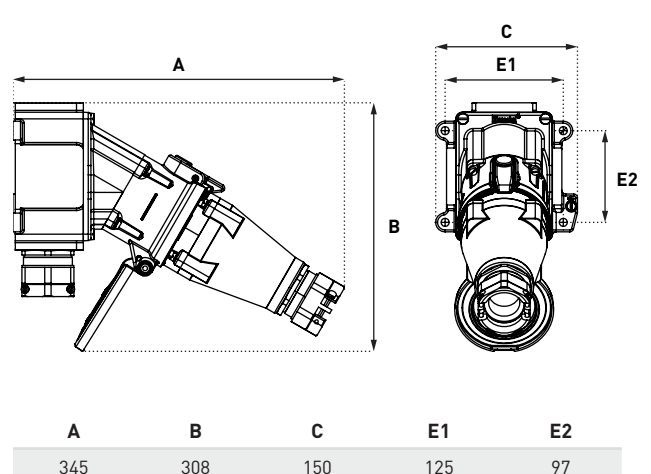
| HIGH TEMPERATURE<br>CABLE GLAND (IP2X)  | Cable outer Ø  | Input | Reference |
|---|----------------|-------|-----------|
|  | 12,0 - 20,5 mm | M25   | 9PEM25BR  |
|   | 18,0 - 27,8 mm | M32   | 9PEM32BR  |
|   | 24,0 - 33,0 mm | M40   | 9PEM40BR  |
|   | 33,0 - 42,0 mm | M50   | 9PEM50BR  |

## DRAWINGS AND DIMENSIONS

PLUG ON SOCKET OUTLET



PLUG ON 30° WALL MOUNTED SOCKET OUTLET



# 150 A

1 000 V  
U<sub>MAXI</sub>

## DECONTACTOR™ DS9 POLY



IP66  
IP67  
IP69



25-70 mm<sup>2</sup> (1)  
25-95 mm<sup>2</sup> (2)



GRP



IK09



-40 °C  
+60 °C



AC-22  
AC-23



60309-1  
60309-4  
60947-3



6 AUX. (3)

(1) Flexible wiring (min.-max.).  
(2) Stranded wiring (min.-max.).  
(3) Flexible wiring : 2,5 mm<sup>2</sup>.



Other configurations on request

GRP devices are not compatible with metal devices.



Each inlet should be connected to a wall box, a sleeve or a handle to ensure correct operation of the closing mechanism.

### LOAD-BREAK CAPABILITY OF THE DECONTACTOR™

|   |                               |
|---|-------------------------------|
| Comply with IEC/EN 60309-1 and IEC/EN 60309-4 standards | 150 A/690 V                   |
| Load-break capability according to IEC/EN 60947-3/AC-22 | (90 A/690 V) or (150 A/600 V) |
| Load-break capability according to IEC/EN 60947-3/AC-23 | 100 A/440 V                   |
| Short-circuit current I <sub>cc</sub>                   | 10 kA                         |
| Power kW AC-22/AC-23                                    | 80 kW                         |

**SOCKET-OUTLET**  
female  
DS9



**INLET** male  
DS9









|                           |              |            |            |
|---------------------------|--------------|------------|------------|
| 380-440 V AC              | 3P+E         | 3194013    | 3198013    |
| 220-250 V AC 380-440 V AC | 3P+N+E       | 3194017    | 3198017    |
| 660-690 V AC              | 3P+E         | 3194193    | 3198193    |
| 380-400 V AC 660-690 V AC | 3P+N+E       | 3194197    | 3198197    |
| 1 000 V AC*               | 3P+E         | 3194223    | 3198223    |
| Auxiliaries 10 A/400 V AC | + 2 contacts | Ref. + 262 | Ref. + 262 |
| Auxiliaries 10 A/400 V AC | + 4 contacts | Ref. + 264 | Ref. + 264 |
| Auxiliaries 10 A/400 V AC | + 6 contacts | Ref. + 976 | Ref. + 976 |


► Other currents, voltages, frequencies and contact configurations are available (see page 14).


\* Switch rating up to 125 A.





| OPTIONS   | Reference               |
|---|-------------------------|
| <b>LOCKING PIN FOR 2 PADLOCKS Ø 4 TO 8 mm (PADLOCKS NOT SUPPLIED)</b>             |                         |
|  | Socket-outlet ref. +843 |
| <b>SAFETY HASP FOR UP TO 6 PADLOCKS</b>   |                         |
|  | 399A541                 |
| <b>LARGER RELEASE BUTTON</b>  |                         |
|  | Ref. socket +453        |
| <b>INLET CAP IP66/IP67</b>  |                         |
|  | 319A426                 |
| <b>IP40 SELF RETURNING LID (MANUAL CLOSING)</b>                                   |                         |
|  | Socket-outlet ref.+R    |


| HANDLE  | Input/<br>Cable outer Ø | Reference | Self-ejection |
|---|-------------------------|-----------|---------------|
| <b>ELASTOMER HANDLE WITH GLAND</b>  |                         |           |               |
|  | 18-25 mm                | 555P0D25  | Ref. +443     |
|   | 25-35 mm                | 555P0D35  | Ref. +443     |
|   | 35-45 mm                | 555P0D45  | Ref. +443     |
|   | 45-49 mm                | 555P0D49  | Ref. +443     |

| <b>POLY HANDLE + POLY CABLE GLAND</b>   |          |          |           |
|---|----------|----------|-----------|
|  | 14-25 mm | 515P032P | Ref. +443 |
|   | 18-32 mm | 515P040P | Ref. +443 |
|   | 24-38 mm | 515P050P | Ref. +443 |
|   | 35-48 mm | 515P063P | /         |



| <b>POLY HANDLE (WITHOUT CABLE GLAND)</b>  |     |          |   |
|---|-----|----------|---|
|  | M50 | 515P0M50 | / |
|   | M63 | 515P0M63 | / |

| <b>METAL HANDLE WITH METAL GLAND (+ EARTHING WIRE)</b>                              |          |          |   |
|---|----------|----------|---|
|  | 16-24 mm | 595P032M | / |
|   | 22-32 mm | 595P040M | / |
|   | 34-44 mm | 595P050M | / |
|   | 35-48 mm | 595P063M | / |





| <b>METAL HANDLE METRIC THREAD ENTRY (WITHOUT CABLE GLAND)</b>                       |     |          |   |
|---|-----|----------|---|
|  | M32 | 595P0M32 | / |
|   | M40 | 595P0M40 | / |
|   | M50 | 595P0M50 | / |
|   | M63 | 595P0M63 | / |

| BOXES   | △ x° | Input | Reference |
|---|------|-------|-----------|
| <b>METAL BOX (+ EARTHING WIRE) + POLY SLEEVE</b>                                  |      |       |           |
|  | 30°  | M32   | 515C3M32  |
|   | 30°  | M40   | 515C3M40  |
|   | 30°  | M50   | 515C3M50  |
|   | 30°  | M63   | 515C3M63  |

| <b>METAL BOX (+ EARTHING WIRE) + METAL SLEEVE</b>                                 |               |     |          |
|---|---------------|-----|----------|
|  | 30°           | M32 | 595C3M32 |
|   | 30°           | M40 | 595C3M40 |
|   | 30°           | M50 | 595C3M50 |
|   | 30°           | M63 | 595C3M63 |
|   | 0° (Straight) | M32 | 595C0M32 |
|   | 0° (Straight) | M40 | 595C0M40 |
|   | 0° (Straight) | M50 | 595C0M50 |
|   | 0° (Straight) | M63 | 595C0M63 |
|   | 70°           | M32 | 595C7M32 |
|   | 70°           | M40 | 595C7M40 |
|   | 70°           | M50 | 595C7M50 |
|   | 70°           | M63 | 595C7M63 |

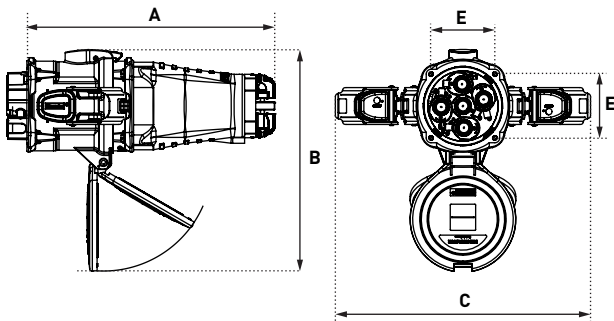
| <b>METAL BOX (+ EARTHING WIRE) + METAL SLEEVE + CORNET</b>                          |               |     |          |
|---|---------------|-----|----------|
|  | 0° (Straight) | M50 | 595E0M50 |
|   | 30°           | M50 | 595E3M50 |
|   | 30°           | M63 | 595E3M63 |
|  | 70°           | M50 | 595E7M50 |
|   | 70°           | M63 | 595E7M63 |

Cable glands are not delivered with the boxes.

| SLEEVE  | △ x°          | Reference |
|---|---------------|-----------|
| <b>POLY SLEEVE</b>  |               |           |
|  | 30°           | 515M3     |
| <b>METAL SLEEVE</b>   |               |           |
|  | 0° (Straight) | 595M0     |
|  | 30°           | 595M3     |
|  | 70°           | 595M7     |

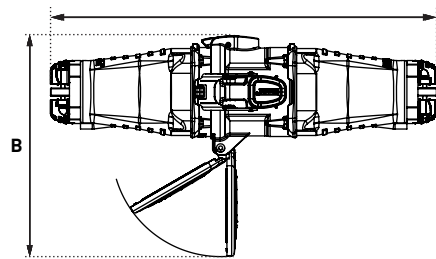
# DRAWINGS AND DIMENSIONS

PLUG ON SOCKET-OUTLET



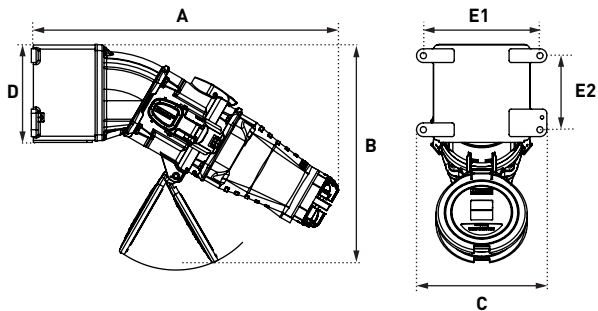
| A   | B   | C   | E  |
|-----|-----|-----|----|
| 313 | 279 | 322 | 81 |

COUPLER



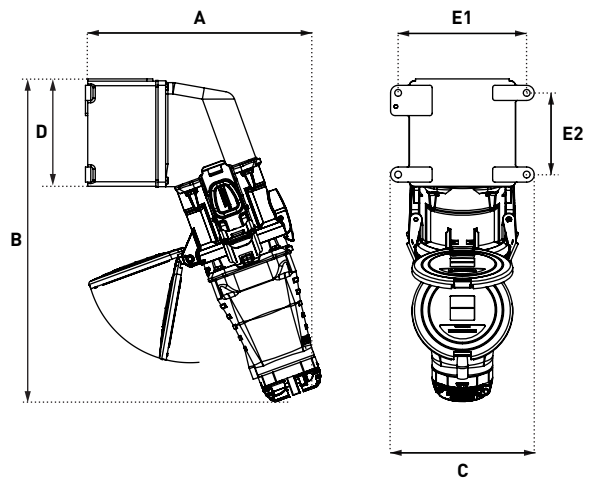
| A   | B   |
|-----|-----|
| 491 | 280 |

PLUG ON 30° WALL MOUNTED SOCKET OUTLET



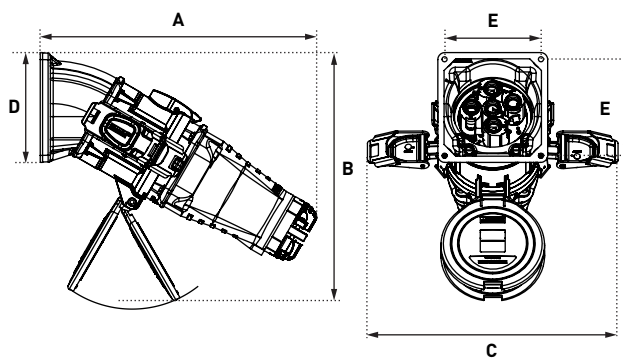
| A   | B   | C   | D   | E1  | E2  |
|-----|-----|-----|-----|-----|-----|
| 448 | 265 | 190 | 142 | 170 | 108 |

PLUG ON 70° WALL BOX MOUNTED SOCKET



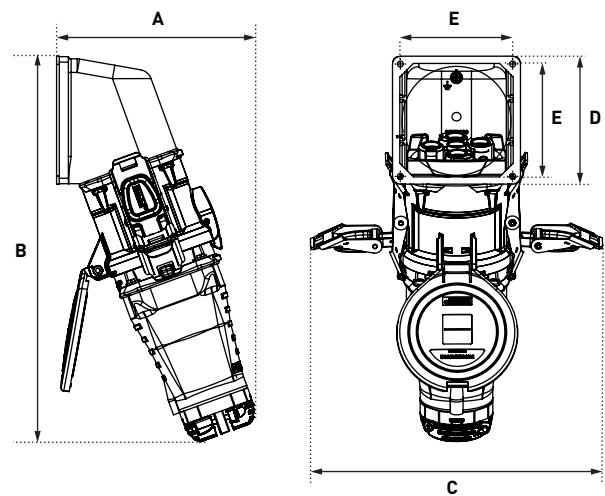
| A   | B   | C   | D   | E1  | E2  |
|-----|-----|-----|-----|-----|-----|
| 311 | 427 | 190 | 142 | 170 | 108 |

PLUG ON 30° INCLINED SOCKET-OUTLET

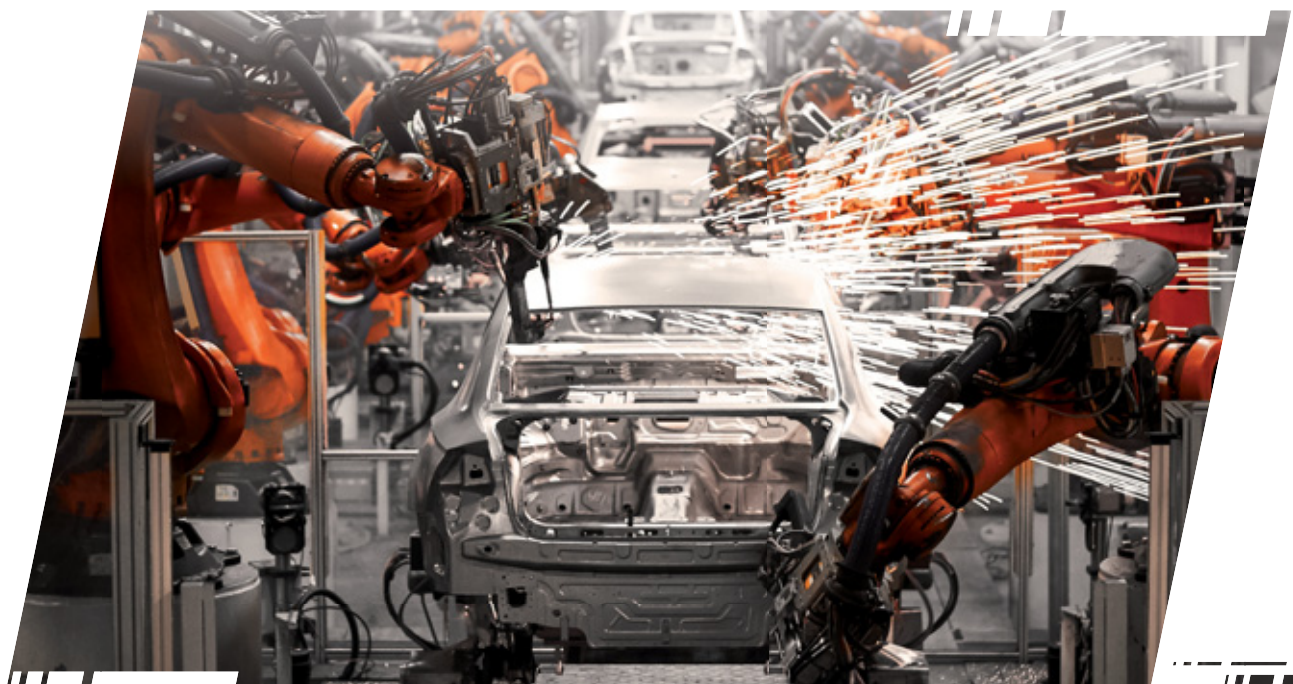


| A   | B   | C   | D   | E   |
|-----|-----|-----|-----|-----|
| 355 | 329 | 322 | 141 | 124 |

PLUG ON 70° INCLINED SOCKET-OUTLET



| A   | B   | C   | D   | E   |
|-----|-----|-----|-----|-----|
| 218 | 425 | 322 | 140 | 124 |



# 150 A

# 1 000 V U MAXI

## DECONTACTOR™ DS9 METAL



IP66  
IP67  
IP69



25-70 mm<sup>2</sup> (1)  
25-95 mm<sup>2</sup> (2)



METAL



IK10



-40 °C  
+60 °C



AC-22  
AC-23



60309-1  
60309-4  
60947-3



6 AUX. (3)



EMC

(1) Flexible wiring (min.-max.).  
(2) Stranded wiring (min.-max.).  
(3) Flexible wiring : 2,5 mm<sup>2</sup>.



Other configurations on request

GRP devices are not compatible with metal devices.



Each inlet should be connected to a wall box, a sleeve or a handle to ensure correct operation of the closing mechanism.

### LOAD-BREAK CAPABILITY OF THE DECONTACTOR™

|   |                               |
|---|-------------------------------|
| Comply with IEC/EN 60309-1 and IEC/EN 60309-4 standards | 150 A/690 V                   |
| Load-break capability according to IEC/EN 60947-3/AC-22 | (90 A/690 V) or (150 A/600 V) |
| Load-break capability according to IEC/EN 60947-3/AC-23 | 100 A/440 V                   |
| Short-circuit current I <sub>cc</sub>                   | 10 kA                         |
| Power kW AC-22/AC-23                                    | 80 kW                         |

SOCKET-OUTLET  
female  
DS9



INLET male  
DS9








|                           |              |            |            |
|---------------------------|--------------|------------|------------|
| 380-440 V AC              | 3P+E         | 3994013    | 3998013    |
| 220-250 V AC 380-440 V AC | 3P+N+E       | 3994017    | 3998017    |
| 660-690 V AC              | 3P+E         | 3994193    | 3998193    |
| 380-400 V AC 660-690 V AC | 3P+N+E       | 3994197    | 3998197    |
| 1 000 V AC*               | 3P+E         | 3994223    | 3998223    |
| Auxiliaries 10 A/400 V AC | + 2 contacts | Ref. + 262 | Ref. + 262 |
| Auxiliaries 10 A/400 V AC | + 4 contacts | Ref. + 264 | Ref. + 264 |
| Auxiliaries 10 A/400 V AC | + 6 contacts | Ref. + 976 | Ref. + 976 |

► Other currents, voltages, frequencies and contact configurations are available (see page 14).

\* Switch rating up to 125 A.

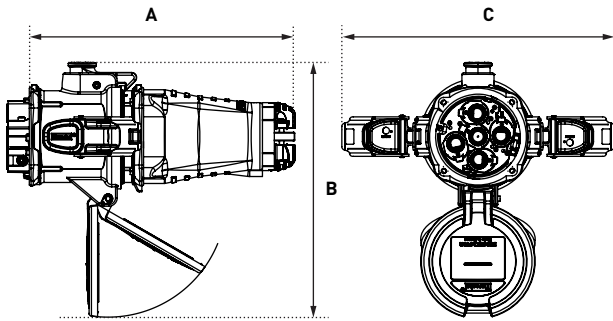
| OPTIONS  | Reference        |
|--|------------------|
| <b>LOCKING PIN FOR 2 PADLOCKS Ø 4 TO 8 mm (PADLOCKS NOT SUPPLIED)</b>  |                  |
|  Socket-outlet ref. +843  |                  |
| <b>SAFETY HASP FOR UP TO 6 PADLOCKS</b>  |                  |
|  399A541  |                  |
| <b>ALLEN-SCREW LOCKING LATCH</b>   |                  |
| Direct latch locking, no padlocking option.  | Ref. socket + 22 |
| <b>INLET CAP IP66/IP67</b>   |                  |
|  319A426  |                  |
| <b>IP40 SELF RETURNING LID (MANUAL CLOSING)</b>  |                  |
|  Socket-outlet ref.+R   |                  |
| <b>ELECTROMAGNETIC COMPATIBILITY (EMC)</b> ● <b>NEW</b>  |                  |
|  Please order a metal threaded accessory herewith, together with a EMC cable gland to be found on page 318. |                  |

| HANDLE  | Input/<br>Cable outer Ø | Reference |
|---|-------------------------|-----------|
| <b>ELASTOMER HANDLE WITH GLAND</b>  |                         |           |
|  | 18-25 mm                | 555P0D25  |
|   | 25-35 mm                | 555P0D35  |
|   | 35-45 mm                | 555P0D45  |
|   | 45-49 mm                | 555P0D49  |
| <b>POLY HANDLE + POLY CABLE GLAND</b>   |                         |           |
|  | 14-25 mm                | 515P032P  |
|   | 18-32 mm                | 515P040P  |
|   | 24-38 mm                | 515P050P  |
|   | 35-48 mm                | 515P063P  |
| <b>POLY HANDLE (WITHOUT CABLE GLAND)</b>  |                         |           |
|  | M50                     | 515P0M50  |
|   | M63                     | 515P0M63  |
| <b>METAL HANDLE WITH METAL GLAND (+ EARTHING WIRE)</b>                              |                         |           |
|  | 16-24 mm                | 595P032M  |
|   | 22-32 mm                | 595P040M  |
|   | 34-44 mm                | 595P050M  |
|   | 35-48 mm                | 595P063M  |
| <b>METAL HANDLE METRIC THREAD ENTRY (WITHOUT CABLE GLAND)</b> ●                     |                         |           |
|  | M32                     | 595P0M32  |
|   | M40                     | 595P0M40  |
|   | M50                     | 595P0M50  |
|   | M63                     | 595P0M63  |

| BOXES   | △x°   | Input         | Reference |          |
|---|---|---------------|-----------|----------|
| <b>METAL BOX (+ EARTHING WIRE) + POLY SLEEVE</b>                                    |   |               |           |          |
|    | 30°   | M32           | 515C3M32  |          |
|   | 30°   | M40           | 515C3M40  |          |
|   | 30°   | M50           | 515C3M50  |          |
|   | 30°   | M63           | 515C3M63  |          |
| <b>METAL BOX (+ EARTHING WIRE) + METAL SLEEVE</b> ●                                 |   |               |           |          |
|    | 30°   | M32           | 595C3M32  |          |
|   | 30°   | M40           | 595C3M40  |          |
|   | 30°   | M50           | 595C3M50  |          |
|   | 30°   | M63           | 595C3M63  |          |
|   | 0° (Straight)   | M32           | 595C0M32  |          |
|   | 0° (Straight)   | M40           | 595C0M40  |          |
|   | 0° (Straight)   | M50           | 595C0M50  |          |
|   | 0° (Straight)   | M63           | 595C0M63  |          |
|   | 70°   | M32           | 595C7M32  |          |
|   | 70°   | M40           | 595C7M40  |          |
|  | 70°   | M50           | 595C7M50  |          |
|   | 70°   | M63           | 595C7M63  |          |
|   | <b>METAL BOX (+ EARTHING WIRE) + METAL SLEEVE + CORNET</b> ●                        |               |           |          |
|   |  | 0° (Straight) | M50       | 595E0M50 |
| 30°   |   | M50           | 595E3M50  |          |
| 30°   |   | M63           | 595E3M63  |          |
|  |   | 70°           | M50       | 595E7M50 |
|   |   | 70°           | M63       | 595E7M63 |
| Cable glands are not delivered with the boxes.                                      |   |               |           |          |
| SLEEVE  | △x°   | Reference     |           |          |
| <b>POLY SLEEVE</b>  |   |               |           |          |
|  | 30°   | 515M3         |           |          |
| <b>METAL SLEEVE</b> ●   |   |               |           |          |
|  | 0° (Straight)   | 595M0         |           |          |
|   |  | 30°           | 595M3     |          |
|   |   | 70°           | 595M7     |          |

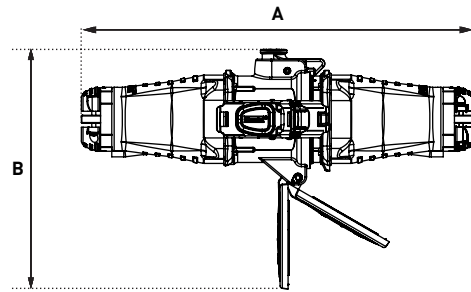
# DRAWINGS AND DIMENSIONS

PLUG ON SOCKET-OUTLET



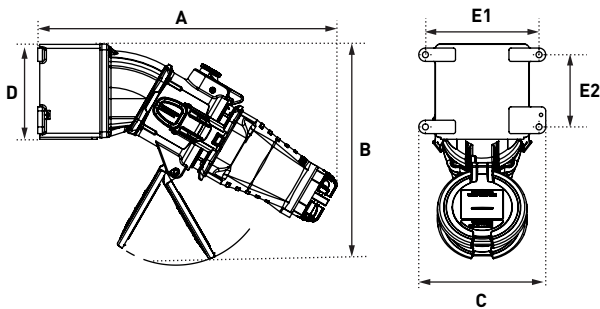
| A   | B   | C   |
|-----|-----|-----|
| 313 | 299 | 322 |

COUPLER



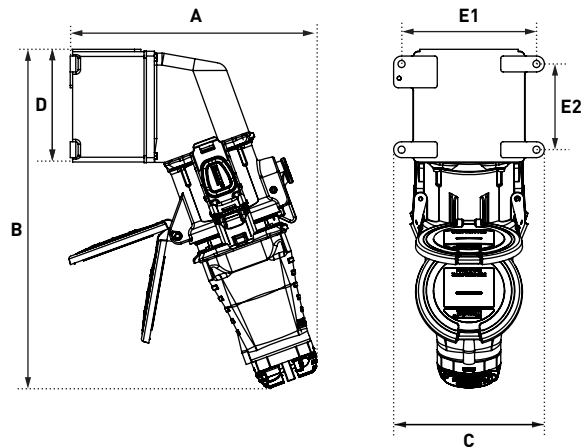
| A   | B   |
|-----|-----|
| 490 | 299 |

PLUG ON 30° WALL MOUNTED SOCKET OUTLET



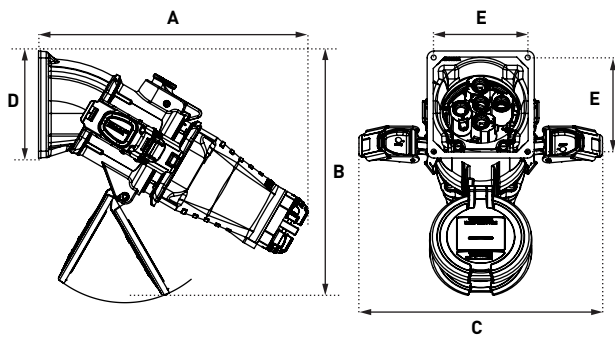
| A   | B   | C   | D   | E1  | E2  |
|-----|-----|-----|-----|-----|-----|
| 448 | 330 | 322 | 142 | 170 | 108 |

PLUG ON 70° WALL BOX MOUNTED SOCKET



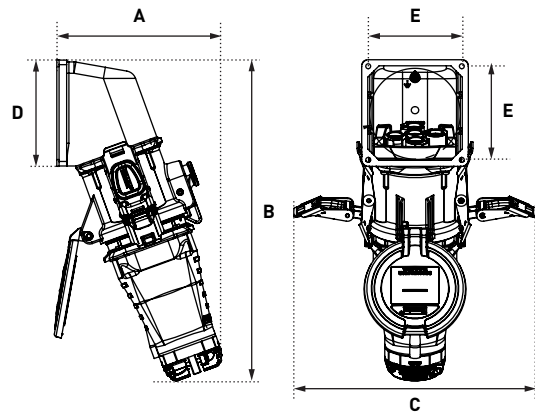
| A   | B   | C   | D   | E1  | E2  |
|-----|-----|-----|-----|-----|-----|
| 310 | 426 | 190 | 142 | 170 | 108 |

PLUG ON 30° INCLINED SOCKET-OUTLET



| A   | B   | C   | D   | E   |
|-----|-----|-----|-----|-----|
| 355 | 331 | 322 | 141 | 124 |

PLUG ON 70° INCLINED SOCKET-OUTLET



| A   | B   | C   | D   | E   |
|-----|-----|-----|-----|-----|
| 217 | 424 | 322 | 141 | 124 |



# 250 A

1 000 V  
U<sub>MAXI</sub>

## DECONTACTOR™ DS2



IP66  
IP67



70-95 mm<sup>2</sup> (1)  
70-120 mm<sup>2</sup> (2)



METAL



IK10



-40 °C  
+60 °C



AC-22  
AC-23



60309-1  
60309-4  
60947-3



6 AUX. (3)



EMC

(1) Flexible wiring (min.-max.).  
(2) Stranded wiring (min.-max.).  
(3) Flexible wiring : 2,5 mm<sup>2</sup>.

### LOAD-BREAK CAPABILITY OF THE DECONTACTOR™

|   |                                |
|---|--------------------------------|
| Comply with IEC/EN 60309-1 and IEC/EN 60309-4 standards | (250 A/500 V) or (200 A/690 V) |
| Load-break capability according to IEC/EN 60947-3/AC-22 | (250 A/400 V) or (125 A/690 V) |
| Load-break capability according to IEC/EN 60947-3/AC-23 | 160 A/440 V                    |
| Short-circuit current I <sub>cc</sub>                   | 10 kA                          |



Other configurations on request.



Each inlet should be connected to a wall box, a sleeve, a handle or a spacer to ensure correct operation of the closing mechanism.

**SOCKET-OUTLET**  
female  
DS2



**INLET** male  
DS2














|                           |               |            |            |
|---------------------------|---------------|------------|------------|
| 380-440 V AC              | 3P+E          | 3924013    | 3928013    |
| 220-250 V AC 380-440 V AC | 3P+N+E        | 3924017    | 3928017    |
| 660-690 V AC              | 3P+E          | 3924193    | 3928193    |
| 380-400 V AC 660-690 V AC | 3P+N+E        | 3924197    | 3928197    |
| 1 000 V AC**              | 3P+E          | 3924223    | 3928223    |
| Auxiliaries 5 A/400 V AC  | + 2 contacts  | Ref. + 972 | Ref. + 972 |
| Auxiliaries 5 A/400 V AC  | + 4 contacts* | Ref. + 174 | Ref. + 174 |
| Auxiliaries 5 A/400 V AC  | + 6 contacts* | Ref. + 976 | Ref. + 976 |




► Other currents, voltages, frequencies and contact configurations are available (see page 14).



\* These versions cannot be ordered with neutral.

\*\* Switch rating up to 150 A.










| OPTIONS   | Section de câblage   | Reference               |
|---|--|-------------------------|
| <b>LOCKING PIN FOR 2 PADLOCKS Ø 4 TO 8 mm (PADLOCKS NOT SUPPLIED)</b>               |  |                         |
|    |  | Socket-outlet ref. +843 |
| <b>SAFETY HASP FOR UP TO 6 PADLOCKS</b>   |  |                         |
|    |  | 399A541                 |
| <b>ALLEN-SCREW LOCKING LATCH</b>  |  |                         |
| Direct latch locking, no padlocking option.   |  | Ref. socket + 22        |
| <b>INLET CAP IP66/IP67</b>  |  |                         |
|    |  | 392A426                 |
| <b>IP40 SELF RETURNING LID (MANUAL CLOSING)</b>                                     |  |                         |
|    |  | Socket-outlet ref.+R    |
| <b>ELECTROMAGNETIC COMPATIBILITY (EMC) ●</b>  |  |                         |
|    | Please order a metal threaded accessory herewith, together with a EMC cable gland to be found on page 318. |                         |
| <b>CABLE AMPLIFIER LUGS</b>   |  |                         |
|   | Flexible 120 mm <sup>2</sup><br>Stranded 150 mm <sup>2</sup>   | 392A277150              |
|  | Flexible 150 mm <sup>2</sup><br>Stranded 185 mm <sup>2</sup>   | 392A277185              |
| <b>INCOMPATIBILITY ●</b>  |  |                         |
|  | Those products marked with a red dot are incompatible with for use with amplifier ends.                    |                         |
| <b>SPACERS (BETWEEN THE WALL BOX OR PANEL)</b>                                      |  |                         |
|  | Depth 68 mm  | 5K7M0-68                |
|  | Depth 115 mm   | 5K7M0-115               |
| <b>PADLOCKING/ELECTRO-MECHANICAL INTERLOCKING</b>                                   |  |                         |
|  | Socket-outlet reference+MIL.<br>Check out the details on page 312  |                         |

| SLEEVE  | ∠x°           | Reference |
|---|---------------|-----------|
| <b>METAL SLEEVE ●</b>   |               |           |
|  | 0° (Straight) | 596M0     |
|  | 60°           | 596M6     |
|  | 60°           | 597M6     |

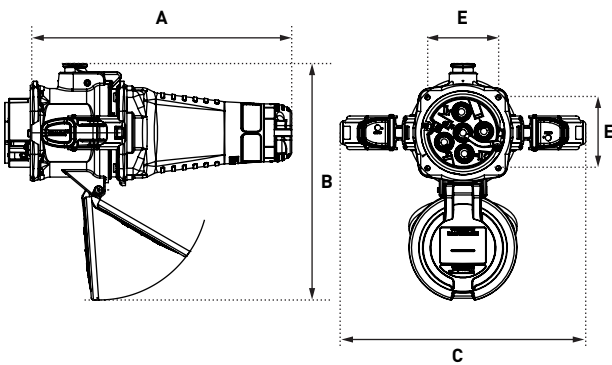
| BOXES   | ∠x° | Input | Reference |
|---|-----|-------|-----------|
| <b>METAL BOX (+ EARTHING WIRE) + METAL SLEEVE + CORNET ●●</b>                     |     |       |           |
|  | 60° | M50   | 596E6M50  |
|   | 60° | M63   | 596E6M63  |
|   | 60° | M75   | 596E6M75  |
| <b>METAL BOX (+ EARTHING WIRE) + METAL SLEEVE + CORNET ●</b>                      |     |       |           |
|  | 60° | M63   | 597E6M63  |
|   | 60° | M75   | 597E6M75  |

Cable glands are not delivered with the boxes.

| HANDLE  | Input/<br>Cable outer Ø | Reference |
|---|-------------------------|-----------|
| <b>ELASTOMER HANDLE WITH GLAND</b>  |                         |           |
|    | 25-35 mm                | 556P0D35  |
|   | 35-45 mm                | 556P0D45  |
|   | 45-49 mm                | 556P0D49  |
| <b>POLY HANDLE + POLY CABLE GLAND</b>   |                         |           |
|  | 35-48 mm                | 516P063P  |
| <b>POLY HANDLE (WITHOUT CABLE GLAND)</b>  |                         |           |
|  | M63                     | 516P0M63  |
|   | M75                     | 516P0M75  |
| <b>METAL HANDLE WITH INTEGRATED CABLE CLAMP</b>                                     |                         |           |
|  | 40-50 mm                | 5K6P0D50  |
|   | 51-60 mm                | 5K6P0D60  |
|   | 61-70 mm                | 5K6P0D70  |
|   | 71-80 mm                | 5K6P0D80  |
|   | 81-90 mm                | 5K6P0D90  |
| <b>METAL HANDLE METRIC THREAD ENTRY (WITHOUT CABLE GLAND) ●●</b>                    |                         |           |
|  | M50                     | 596P0M50  |
|   | M63                     | 596P0M63  |
|   | M75                     | 596P0M75  |
| <b>METAL HANDLE METRIC THREAD ENTRY (WITHOUT CABLE GLAND) ●</b>                     |                         |           |
|  | M40                     | 5K6P0M40L |
|   | M50                     | 5K6P0M50L |
|   | M63                     | 5K6P0M63L |
|   | M75                     | 5K6P0M75L |
| <b>METAL HANDLE METRIC THREAD ENTRY (WITHOUT CABLE GLAND) - LARGE SIZE ●</b>        |                         |           |
|  | M63                     | 796P0M63  |
|   | M75                     | 796P0M75  |

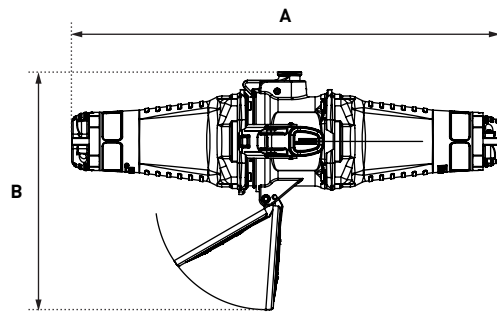
# DRAWINGS AND DIMENSIONS

PLUG ON SOCKET-OUTLET



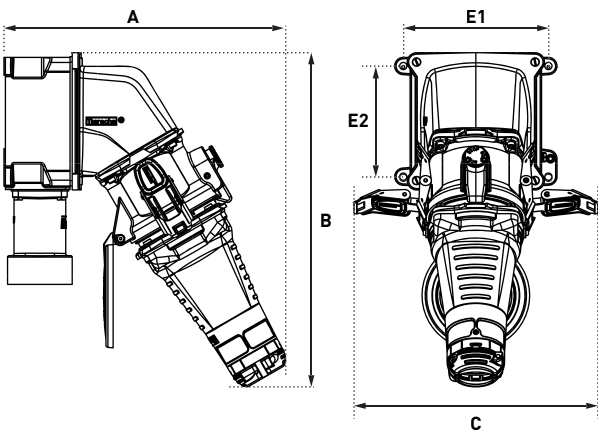
| A   | B   | C   | E  |
|-----|-----|-----|----|
| 362 | 327 | 340 | 98 |

COUPLER



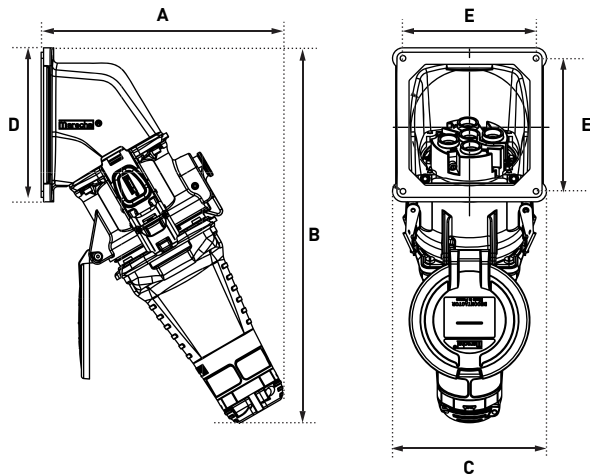
| A   | B   |
|-----|-----|
| 590 | 327 |

PLUG ON 60° WALL BOX MOUNTED SOCKET OUTLET



| A   | B   | C   | E1  | E2  |
|-----|-----|-----|-----|-----|
| 392 | 465 | 340 | 202 | 154 |

PLUG ON 60° INCLINED SOCKET OUTLET



| A   | B   | C   | D   | E   |
|-----|-----|-----|-----|-----|
| 300 | 465 | 191 | 191 | 165 |



# 350 A 1 000 V

*U MAXI*

## INDUSTRIAL SOCKET OUTLET DS2



IP66  
IP67



95 mm<sup>2</sup> <sup>(1)</sup>  
95-120 mm<sup>2</sup> <sup>(2)</sup>



METAL



IK10



-40 °C  
+60 °C



2 PIL



EMC

<sup>(1)</sup> Flexible wiring (min.-max.).  
<sup>(2)</sup> Stranded wiring (min.-max.).



**Padlocking system is standard.**

### OTHER FEATURES

Pilot wiring 2,5 mm<sup>2</sup>

\* See our cable AMPLIFIER lugs for sections bigger than 95 mm<sup>2</sup> (flexible) or 120 mm<sup>2</sup> (stranded).



**Each socket-outlet and each inlet should be connected to a wall box, a sleeve, a handle or a spacer to ensure correct operation of the closing mechanism.**

**SOCKET-OUTLET**  
female  
**DS2**













**INLET male**  
**DS2**





|              |              |                 |            |            |
|--------------|--------------|-----------------|------------|------------|
| 220-250 V AC | 380-440 V AC | 3P+N+E+2 pilots | 3924017240 | 3928017240 |
| 380-400 V AC | 660-690 V AC | 3P+N+E+2 pilots | 3924197240 | 3928197240 |


► Other currents, voltages, frequencies are available (see page 14).


| OPTIONS   | Cable section  | Reference            |
|---|--|----------------------|
| <b>SAFETY HASP FOR UP TO 6 PADLOCKS</b>   |  |                      |
|    |  | 399A541              |
| <b>ALLEN-SCREW LOCKING LATCH</b>  |  |                      |
| Direct latch locking, no padlocking option.   |  | Ref. socket + 22     |
| <b>INLET CAP IP66/IP67</b>  |  |                      |
|    |  | 392A426              |
| <b>IP40 SELF RETURNING LID (MANUAL CLOSING)</b>   |  |                      |
|    |  | Socket-outlet ref.+R |
| <b>ELECTROMAGNETIC COMPATIBILITY (EMC) ●</b> <span style="background-color: orange; color: white; padding: 2px;">NEW</span> |  |                      |
|    | Please order a metal threaded accessory herewith, together with a EMC cable gland to be found on page 318. |                      |
| <b>CABLE AMPLIFIER LUGS</b>   |  |                      |
|    | Flexible 120 mm <sup>2</sup><br>Stranded 150 mm <sup>2</sup>   | 392A277150           |
|    | Flexible 150 mm <sup>2</sup><br>Stranded 185 mm <sup>2</sup>   | 392A277185           |
| <b>SPACERS (BETWEEN THE WALL BOX OR PANEL)</b>  |  |                      |
|    | Depth 68 mm  | 5K7M0-68             |
|    | Depth 115 mm   | 5K7M0-115            |
| <b>PADLOCKING/ELECTRO-MECHANICAL INTERLOCKING</b>   |  |                      |
|    | Socket-outlet reference+MIL.<br>Check out the details on page 312  |                      |


| HANDLE  | Cable outer Ø (min./max.) | Reference |
|---|---------------------------|-----------|
| <b>METAL HANDLE WITH INTEGRATED CABLE CLAMP</b>                                   |                           |           |
|   | 40-50 mm                  | 5K6P0D50  |
|   | 51-60 mm                  | 5K6P0D60  |
|  | 61-70 mm                  | 5K6P0D70  |
|   | 71-80 mm                  | 5K6P0D80  |
|   | 81-90 mm                  | 5K6P0D90  |

| HANDLE  | Cable outer Ø (min./max.) | Reference |
|---|---------------------------|-----------|
| <b>METAL HANDLE METRIC THREAD ENTRY (WITHOUT CABLE GLAND) ●</b>                   |                           |           |
|   | M40                       | 5K6P0M40L |
|  | M50                       | 5K6P0M50L |
|   | M63                       | 5K6P0M63L |
|   | M75                       | 5K6P0M75L |

| HANDLE  | Cable outer Ø (min./max.) | Reference |
|---|---------------------------|-----------|
| <b>METAL HANDLE METRIC THREAD ENTRY (WITHOUT CABLE GLAND) - LARGE SIZE ●</b>      |                           |           |
|  | M63                       | 796P0M63  |
|   | M75                       | 796P0M75  |

| SLEEVE  | ∠ x° | Reference |
|---|------|-----------|
| <b>METAL SLEEVE ●</b>   |      |           |
|  | 60°  | 597M6     |

| BOXES   | ∠ x° | Cable outer Ø | Reference |
|---|------|---------------|-----------|
| <b>METAL BOX (+ EARTHING WIRE) + METAL SLEEVE + CORNET ●</b>                        |      |               |           |
|  | 60°  | M63           | 597E6M63  |
|   | 60°  | M75           | 597E6M75  |

| BOXES   | ∠ x° | Cable outer Ø | Reference |
|---|------|---------------|-----------|
| <b>STAINLESS STEEL (+ EARTHING WIRE) + METAL SLEEVE + METAL CABLE GLAND (+ EARTHING WIRE)</b> |      |               |           |
|            | 70°  | 35-46 mm      | 577C763M  |
|   | 70°  | 48-65 mm      | 577C775M  |

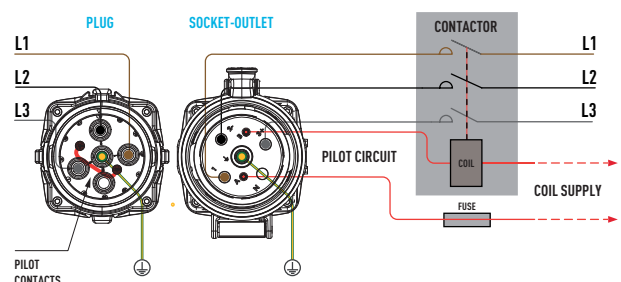
### ELECTRICAL INTERLOCKING

At this level of power, it is not possible to break directly under load. Electrical interlocking with a switch or a pilot controlled contactor is required.

Boxes with the following equipment are available upon request:

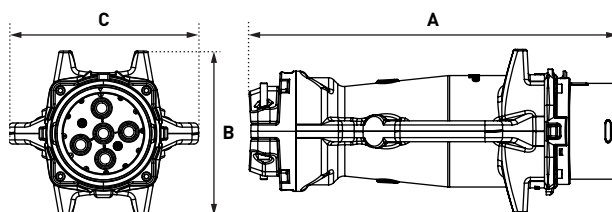
- circuit breaker or differential switch,
- contactor,
- fuses,
- loop-out enclosures,
- terminals for single pole cables...

### TYPICAL WIRING DIAGRAM OF THE DS2 CONTROL CIRCUIT



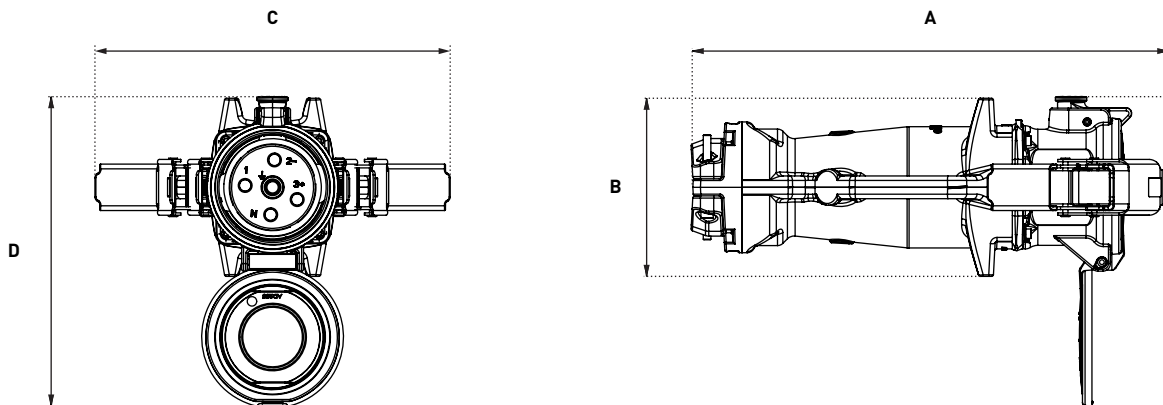
# DRAWINGS AND DIMENSIONS

## INLET



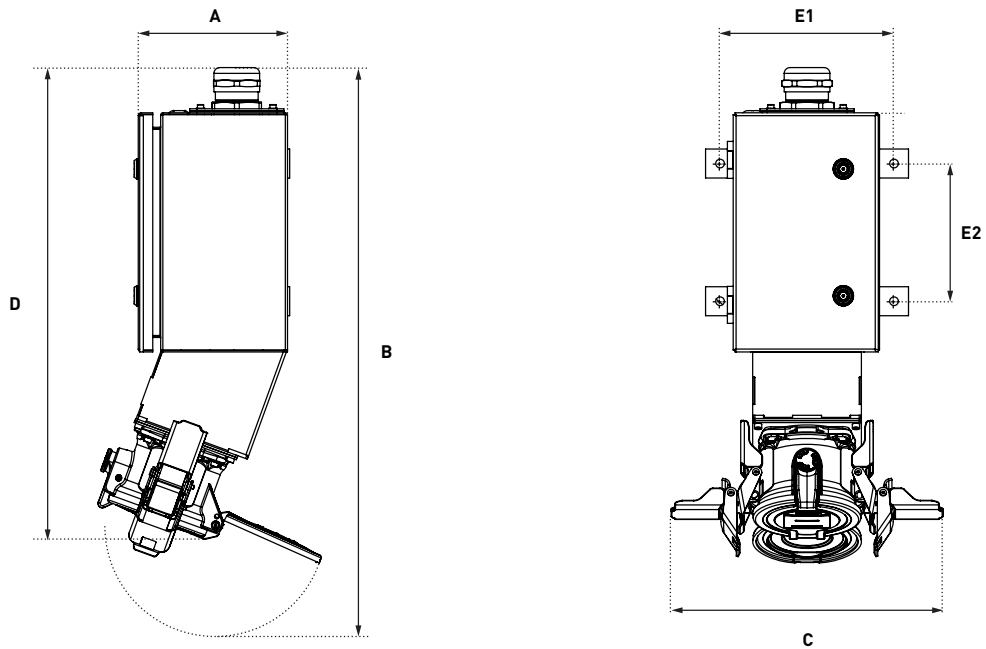
| A   | B   | C   |
|-----|-----|-----|
| 420 | 188 | 217 |

## COUPLER SOCKET



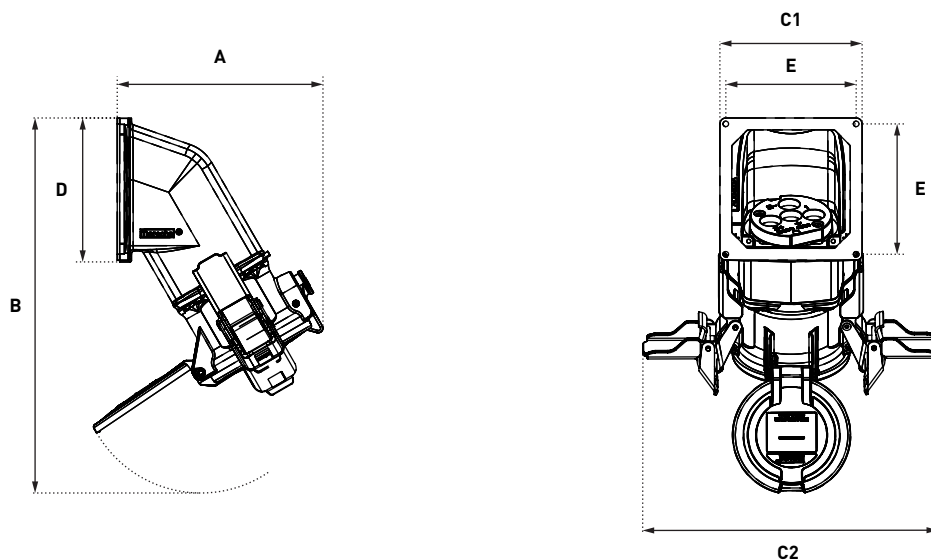
| A   | B   | C   | D   |
|-----|-----|-----|-----|
| 503 | 188 | 375 | 327 |

WALL BOX MOUNTED SOCKET-OUTLET 70°



| A   | B   | C   | D   | E1  | E2  |
|-----|-----|-----|-----|-----|-----|
| 206 | 784 | 375 | 651 | 240 | 190 |

PANEL MOUNTED SOCKET-OUTLET 60°



| A   | B   | C1  | C2  | D   | E   |
|-----|-----|-----|-----|-----|-----|
| 255 | 474 | 180 | 375 | 180 | 165 |

# 400 A $1\,000\text{ V}$

U<sub>MAXI</sub>

## INDUSTRIAL SOCKET-OUTLET DS4



IP66  
IP67



95-150 mm<sup>2</sup> (1)  
95-185 mm<sup>2</sup> (2)



METAL



IK10



-40 °C  
+60 °C



2 PIL



EMC

(1) Flexible wiring (min.-max.).  
(2) Stranded wiring (min.-max.).



Other cable sections:  
please contact us

### OTHER FEATURES

|  |                     |
|--|---------------------|
| Mechanical interlock                                 | standard            |
| Inlet closing device in stainless steel              | standard            |
| Pilot contacts 5 A/400 V AC for electrical interlock | 2                   |
| Auxiliaries wiring                                   | 2,5 mm <sup>2</sup> |



Each socket-outlet  
and each inlet should be  
connected to a wall box,  
a sleeve, a handle or a  
spacer to ensure correct  
operation of the closing  
mechanism.

### SOCKET-OUTLET

female  
DS4



INLET male  
DS4















Compatible with  
previous version using kit  
394A396

|              |                |         |         |
|--------------|----------------|---------|---------|
| 380-440 V AC | 3P+E+ 2 pilots | 3944013 | 3948013 |
| 660-690 V AC | 3P+E+ 2 pilots | 3944193 | 3948193 |
| 1 000 V AC   | 3P+E+ 2 pilots | 3944223 | 3948223 |

► Other currents, voltages, frequencies and contact configurations are available (see page 14).



| OPTIONS   | Cable section  | Reference               |
|---|--|-------------------------|
| <b>LOCKING PIN FOR 2 PADLOCKS Ø 4 TO 8 mm (PADLOCKS NOT SUPPLIED)</b>               |  |                         |
|    |  | Socket-outlet ref. +843 |
| <b>SAFETY HASP FOR UP TO 6 PADLOCKS</b>   |  |                         |
|    |  | 399A541                 |
| <b>INLET CAP IP66/IP67</b>  |  |                         |
|    |  | 392A426                 |
| <b>IP40 SELF RETURNING LID (MANUAL CLOSING)</b>                                     |  |                         |
|    |  | Socket-outlet ref.+R    |
| <b>ELECTROMAGNETIC COMPATIBILITY (EMC) ● NEW</b>                                    |  |                         |
|    | Please order a metal threaded accessory herewith, together with a EMC cable gland to be found on page 318. |                         |
| <b>CABLE AMPLIFIER LUGS</b>   |  |                         |
|    | Flexible 185 mm <sup>2</sup><br>Stranded 240 mm <sup>2</sup>   | 394A277-240             |
|   | Flexible 240 mm <sup>2</sup><br>Stranded 300 mm <sup>2</sup>   | 394A277-300             |
| <b>SPACERS (BETWEEN THE WALL BOX OR PANEL)</b>                                      |  |                         |
|  | Depth 68 mm  | 5K7M0-68                |
|  | Depth 115 mm   | 5K7M0-115               |
| <b>PADLOCKING/ELECTRO-MECHANICAL INTERLOCKING</b>                                   |  |                         |
|  | Socket-outlet reference+MIL.<br>Check out the details on page 312  |                         |

| SLEEVE  |  | Reference |
|---|---|-----------|
| <b>METAL SLEEVE <sup>(1)</sup></b>  |   |           |
|  | 60°   | 597M6     |

(1) For use with amplifier tips, it is necessary to use a spacer of 68 mm minimum.

### ELECTRICAL INTERLOCKING

With such a current, disconnection under load is just not possible. Electrical interlocking with a switch or a pilot controlled contactor is required.

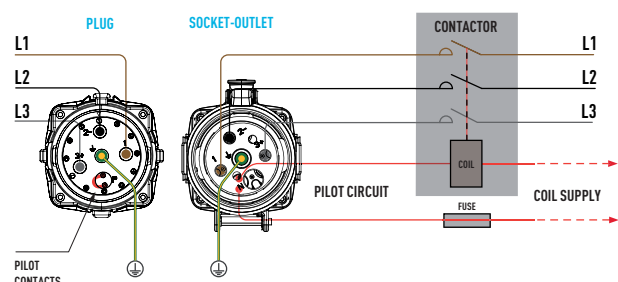
Note that we may customize the wall box with the following functions or devices:

- circuit breaker or differential switch,
- contactor,
- fuses,
- loop-in/loop-out configuration,
- Terminals fitted for single-pole cable use...

| HANDLE  | Cable outer Ø (min./max.) | Reference |
|---|---------------------------|-----------|
| <b>METAL HANDLE WITH INTEGRATED CABLE CLAMP</b>                                   |                           |           |
|   | 40-50 mm                  | 5K6P0D50  |
|   | 51-60 mm                  | 5K6P0D60  |
|  | 61-70 mm                  | 5K6P0D70  |
|   | 71-80 mm                  | 5K6P0D80  |
|   | 81-90 mm                  | 5K6P0D90  |
| <b>METAL HANDLE METRIC THREAD ENTRY (WITHOUT CABLE GLAND) ●</b>                   |                           |           |
|   | M40                       | 5K6P0M40L |
|  | M50                       | 5K6P0M50L |
|   | M63                       | 5K6P0M63L |
|   | M75                       | 5K6P0M75L |
| <b>METAL HANDLE METRIC THREAD ENTRY (WITHOUT CABLE GLAND) - LARGE SIZE ●</b>      |                           |           |
|  | M63                       | 796P0M63  |
|   | M75                       | 796P0M75  |

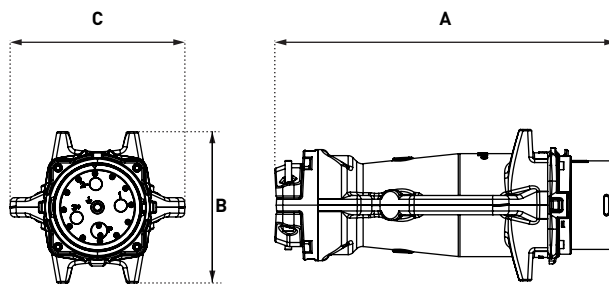
| BOXES   |  | Cable outer Ø | Reference |
|---|---|---------------|-----------|
| <b>METAL BOX (+ EARTHING WIRE) + METAL SLEEVE + CORNET <sup>(1)</sup></b>                     |   |               |           |
|            | 60°   | M63           | 597E6M63  |
|   | 60°   | M75           | 597E6M75  |
| <b>STAINLESS STEEL (+ EARTHING WIRE) + METAL SLEEVE + METAL CABLE GLAND (+ EARTHING WIRE)</b> |   |               |           |
|            | 70°   | 35-46 mm      | 577C763M  |
|   | 70°   | 48-65 mm      | 577C775M  |

### TYPICAL WIRING DIAGRAM OF THE DS4 CONTROL CIRCUIT



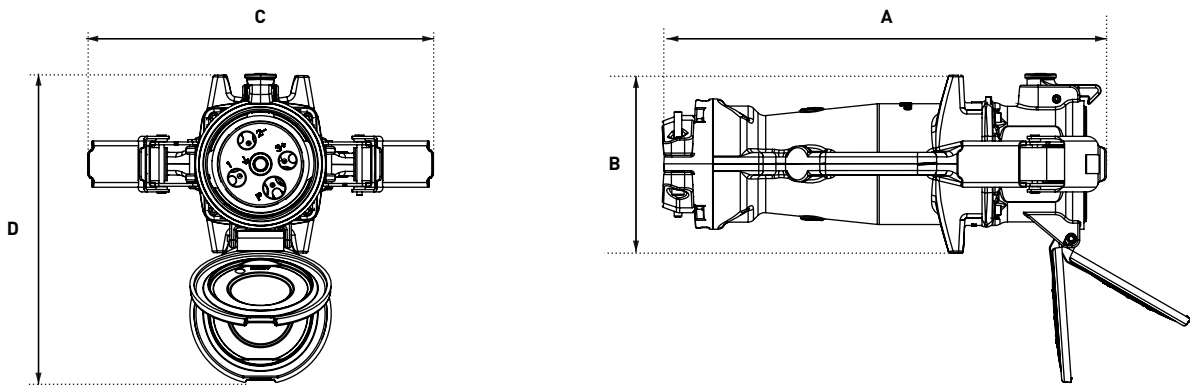
# DRAWINGS AND DIMENSIONS

## INLET



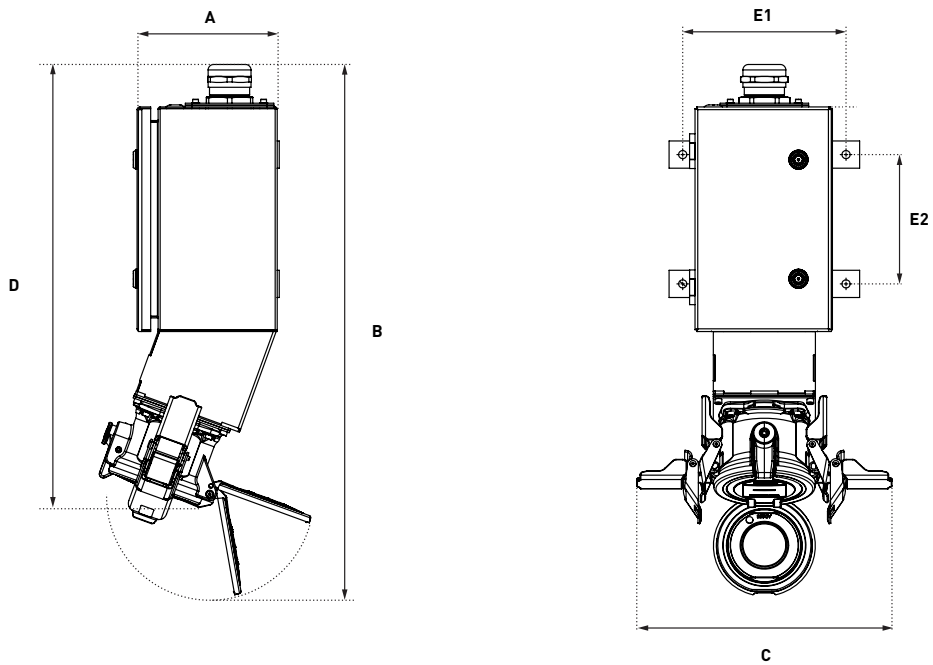
| A   | B   | C   |
|-----|-----|-----|
| 420 | 188 | 217 |

## COUPLER SOCKET



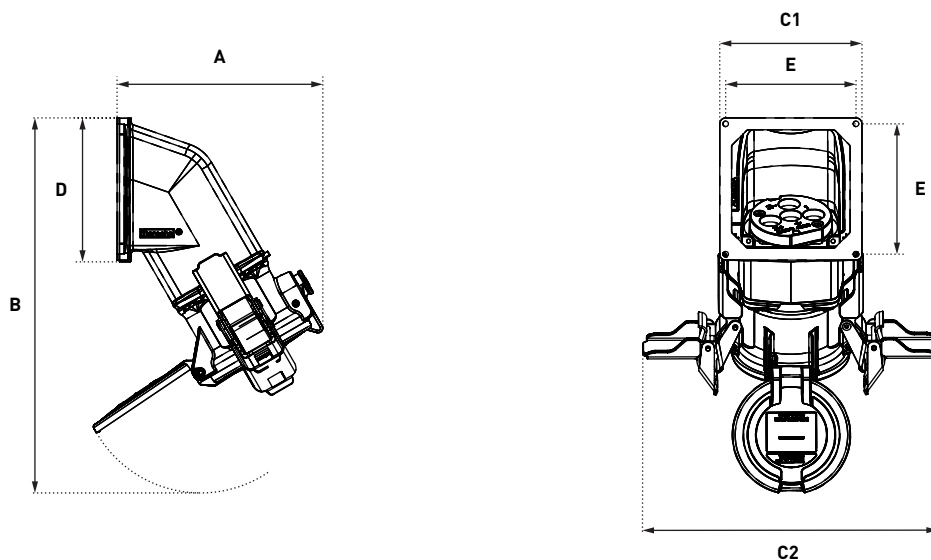
| A   | B   | C   | D   |
|-----|-----|-----|-----|
| 473 | 188 | 375 | 327 |

WALL BOX MOUNTED SOCKET-OUTLET 70°



| A   | B   | C   | D   | E1  | E2  |
|-----|-----|-----|-----|-----|-----|
| 206 | 784 | 375 | 651 | 240 | 190 |

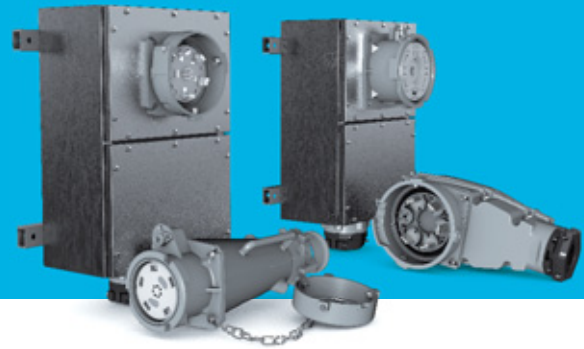
PANEL MOUNTED SOCKET-OUTLET 60°



| A   | B   | C1  | C2  | D   | E   |
|-----|-----|-----|-----|-----|-----|
| 255 | 474 | 180 | 375 | 180 | 165 |

400 A - 600 A

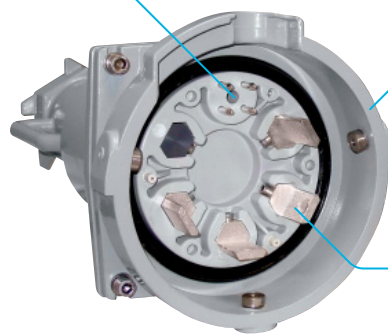
# PF INDUSTRIAL PLUGS



## MECHANICAL FEATURES

**Pilot contacts** : designed to connect after and disconnect before the phase contacts.

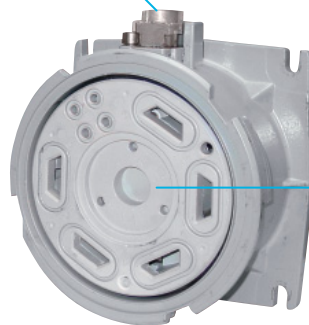
**IK10 metal casing**  
excellent resistance to shocks.



**Lateral spring-loaded silver butt-contacts**  
Silver is an excellent conductor and the plug engagement cleans contacts automatically.

### Electromechanical interlocking mechanism

The locking mechanism guarantees safe and watertight connection and engages the pilot contacts.



**Safety shutter**  
IP2X/IPXXB (PFC), IP4X/IPXXD (PFQ).

## MECHANICAL AND ELECTRICAL LOCKING



Off load engagement



The male-female connection is automatically watertight.



Locking the plug in the socket closes the pilots and connects the main circuit.

**PRESENTATION OF HIGH POWER INDUSTRIAL PLUG MOUNTING IS AVAILABLE ON OUR YOUTUBE CHANNEL**

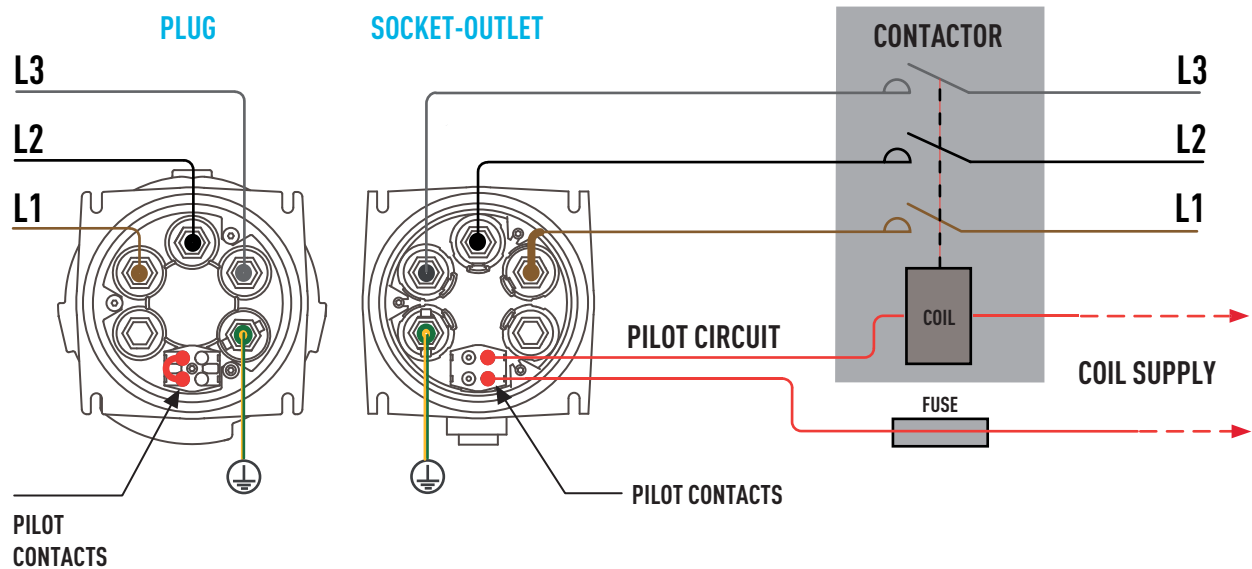


## ELECTRICAL INTERLOCKING

At this level of power, it is not possible to directly disconnect under load. Electrical interlocking with a switch or a pilot controlled contactor is required. Boxes with the following equipment are available upon request:

- circuit breaker or differential switch,
- contactor,
- fuses,
- loop-out enclosures,
- terminals for single pole cables...

## TYPICAL WIRING DIAGRAM OF THE PFC CONTROL CIRCUIT



| PILOT CONTACTS    |               |               |
|-------------------|---------------|---------------|
|                   | PFQ4          | PFC6          |
| Pilot contacts    | 2             | 2             |
| Pilot Amperage    | 10 A/400 V AC | 20 A/400 V AC |
| Interlocking Type | Mechanical    | Mechanical    |
| Terminal Type     | Solder/crimp  | Screw         |

Notes: The mechanical locking of the plug to the socket-outlet, via the rotation of a cam, closes the pilot contacts. Failure to use a pilot/relay system can create an electrical shock hazard.

# 400 A 690 V

**U<sub>MAXI</sub>**

## INDUSTRIAL PLUG PFQ4



IP66  
IP67



95-240 mm<sup>2</sup> (1)  
95-240 mm<sup>2</sup> (2)



METAL



IK10



-40 °C  
+60 °C



6 AUX. +  
2 PIL.

(1) Flexible wiring (min.-max.).  
(2) Stranded wiring (min.-max.).

### OTHER FEATURES

|  |                     |
|--|---------------------|
| Junction through mono or multi conductors cables |                     |
| Auxiliary contacts (10 A/400 V)                  | 6                   |
| Pilot contacts (10 A/400 V)                      | 2                   |
| Flexible wiring auxiliaries/pilots               | 1,5 mm <sup>2</sup> |

### SOCKET-OUTLET

female  
**PFQ4**





**INLET** male  
**PFQ4**




|              |              |        |         |         |
|--------------|--------------|--------|---------|---------|
| 220-250 V AC | 380-440 V AC | 3P+N+E | 4744017 | 4748017 |
| 380-400 V AC | 660-690 V AC | 3P+N+E | 4744197 | 4748197 |


► Other currents, voltages, frequencies are available (see page 14).

| BOXES STAINLESS STEEL 316L  | Cable outer Ø | Reference  |
|---|---------------|------------|
| <b>WIRING FROM 95 TO 150 mm<sup>2</sup> CABLE GLAND INCLUDED</b>                  |               |            |
|  | 40-50 mm      | 474A023050 |
|   | 51-60 mm      | 474A023060 |
|   | 61-70 mm      | 474A023070 |
|   | 71-80 mm      | 474A023080 |
|   | 81-90 mm      | 474A023090 |

| BOXES STAINLESS STEEL 316L  | Cable outer Ø | Reference  |
|---|---------------|------------|
| <b>WIRING FROM 150 TO 240 mm<sup>2</sup> CABLE GLAND INCLUDED</b>                 |               |            |
|  | 40-50 mm      | 474A023550 |
|   | 51-60 mm      | 474A023560 |
|   | 61-70 mm      | 474A023570 |
|   | 71-80 mm      | 474A023580 |
|   | 81-90 mm      | 474A023590 |

On request: boxes for installation in ducts, boxes equipped with circuit breaker, earth-leakage switch, contactor,...

| HANDLES   | Cable outer Ø | Reference  |
|---|---------------|------------|
| <b>STRAIGHT</b>   |               |            |
|  | 46-50 mm      | 474A013-50 |
|   | 51-55 mm      | 474A013-55 |
|   | 56-60 mm      | 474A013-60 |
|   | 61-65 mm      | 474A013-65 |
|   | 66-70 mm      | 474A013-70 |
|   | 71-75 mm      | 474A013-75 |
|   | 76-80 mm      | 474A013-80 |
|   | 81-85 mm      | 474A013-85 |
| 86-90 mm  | 474A013-90    |            |

| HANDLES   | Cable outer Ø | Reference  |
|---|---------------|------------|
| <b>ANGLED 90°</b>   |               |            |
|  | 46-50 mm      | 474A913-50 |
|   | 51-55 mm      | 474A913-55 |
|   | 56-60 mm      | 474A913-60 |
|   | 61-65 mm      | 474A913-65 |
|   | 66-70 mm      | 474A913-70 |
|   | 71-75 mm      | 474A913-75 |
|   | 76-80 mm      | 474A913-80 |
|   | 81-85 mm      | 474A913-85 |
| 86-90 mm  | 474A913-90    |            |

## INFOS +

### STRAIGHT CONNECTION

use (Ø 12) straight cable lugs and sleeves






3 cable lugs are delivered as a standard

### RIGHT ANGLE CONNECTION

Right angle connection using straight (Ø 12) cable lugs and insulation sleeves



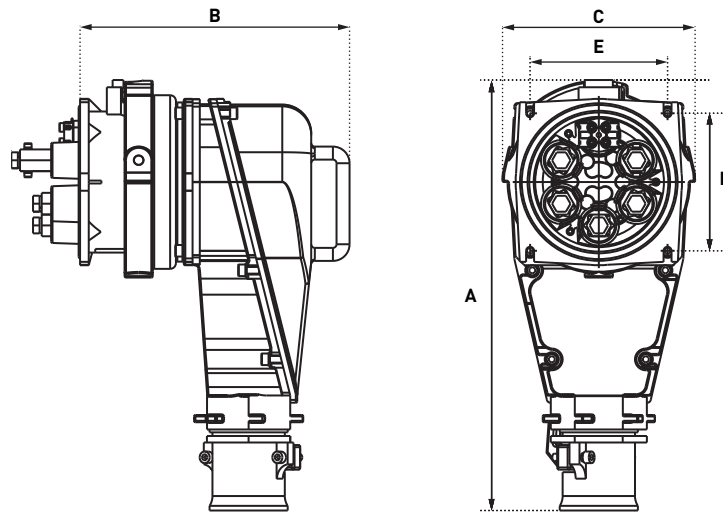
it is recommended to fit insulating sleeves to each lug.

| ACCESSORIES AND OPTIONS   | Reference |
|---|-----------|
| <b>KEY FOR LOCKING AND OPERATING PILOT CONTACTS</b>                                 |           |
|  | 473A393   |
| <b>INLET LID</b>  |           |
|  | 474A126   |
| <b>M12 CONNECTION PIECE*</b>  |           |
|  | 474A277   |

\*Wiring with straight cable lugs with terminals.

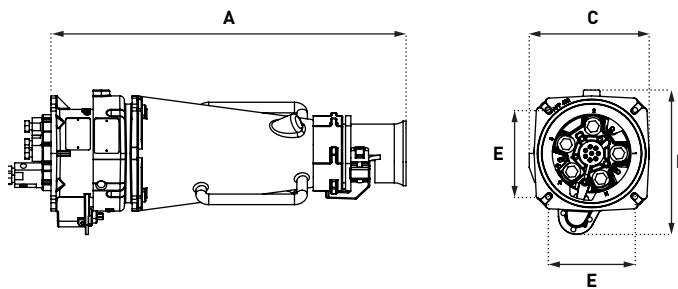
# DRAWINGS AND DIMENSIONS

## PLUG ON 90° ANGLED HANDLE ON SOCKET OUTLET



| A   | B   | C   | E   |
|-----|-----|-----|-----|
| 471 | 301 | 196 | 145 |

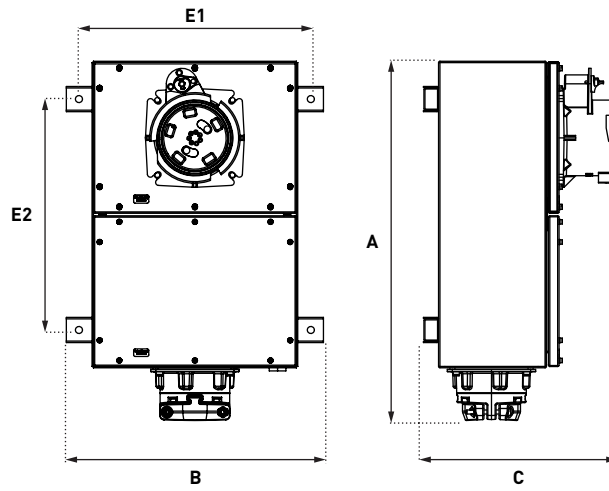
## PLUG ON STRAIGHT HANDLE ON SOCKET OUTLET



| A   | B   | C   | E   |
|-----|-----|-----|-----|
| 605 | 246 | 204 | 148 |



SOCKET OUTLET ON WALL BOX



|                         | A    | B   | C   | E1  | E2      |
|-------------------------|------|-----|-----|-----|---------|
| 95-150 mm <sup>2</sup>  | 713  | 510 | 389 | 460 | 458     |
| 150-240 mm <sup>2</sup> | 1013 | 510 | 483 | 460 | 400/800 |



# 600 A $1\,000\text{ V}$

U<sub>MAXI</sub>

## INDUSTRIAL PLUG PFC6



IP66  
IP67



95-240 mm<sup>2</sup> (1)  
95-240 mm<sup>2</sup> (2)



METAL



IK10



-40 °C  
+60 °C



2 AUX.  
+2 PIL.

(1) Flexible wiring (min.-max.).  
(2) Stranded wiring (min.-max.).

### OTHER FEATURES

|  |                   |
|--|-------------------|
| Junction through mono or multi conductors cables |                   |
| Auxiliary contacts (20 A/400 V)                  | 2                 |
| Pilot contacts (20 A/400 V)                      | 2                 |
| Flexible wiring auxiliaries/pilots               | 6 mm <sup>2</sup> |

**SOCKET-OUTLET**  
female  
**PFC6**





**INLET** male  
**PFC6**




|                           |        |         |         |
|---------------------------|--------|---------|---------|
| 380-440 V AC              | 3P+E   | 4964013 | 4968013 |
| 220-250 V AC 380-440 V AC | 3P+N+E | 4964017 | 4968017 |
| 660-690 V AC              | 3P+E   | 4964193 | 4968193 |
| 380-400 V AC 660-690 V AC | 3P+N+E | 4964197 | 4968197 |
| 1000 V AC                 | 3P+E   | 4964223 | 4968223 |


► Other currents, voltages, frequencies and contact configurations are available (see page 14).

| BOXES STAINLESS STEEL 316L  | Cable outer Ø | Reference  |
|---|---------------|------------|
| <b>WIRING FROM 95 TO 150 mm<sup>2</sup> CABLE GLAND INCLUDED</b>                  |               |            |
|  | 40-50 mm      | 496A023050 |
|   | 51-60 mm      | 496A023060 |
|   | 61-70 mm      | 496A023070 |
|   | 71-80 mm      | 496A023080 |
|   | 81-90 mm      | 496A023090 |

| BOXES STAINLESS STEEL 316L  | Cable outer Ø | Reference  |
|---|---------------|------------|
| <b>WIRING FROM 150 TO 240 mm<sup>2</sup> CABLE GLAND INCLUDED</b>                 |               |            |
|  | 40-50 mm      | 496A023550 |
|   | 51-60 mm      | 496A023560 |
|   | 61-70 mm      | 496A023570 |
|   | 71-80 mm      | 496A023580 |
|   | 81-90 mm      | 496A023590 |

On request: boxes for installation in ducts, boxes equipped with circuit breaker, earth-leakage switch, contactor,...

| HANDLES   | Cable outer Ø | Reference  |
|---|---------------|------------|
| <b>STRAIGHT</b>   |               |            |
|  | 46-50 mm      | 496A013-50 |
|   | 51-55 mm      | 496A013-55 |
|   | 56-60 mm      | 496A013-60 |
|   | 61-65 mm      | 496A013-65 |
|   | 66-70 mm      | 496A013-70 |
|   | 71-75 mm      | 496A013-75 |
|   | 76-80 mm      | 496A013-80 |
|   | 81-85 mm      | 496A013-85 |
| 86-90 mm  | 496A013-90    |            |

| HANDLES   | Cable outer Ø | Reference  |
|---|---------------|------------|
| <b>ANGLED 90°</b>   |               |            |
|  | 40-50 mm      | 496A913-50 |
|   | 51-60 mm      | 496A913-60 |
|   | 61-70 mm      | 496A913-70 |
|   | 71-80 mm      | 496A913-80 |
|   | 81-90 mm      | 496A913-90 |

## INFOS +

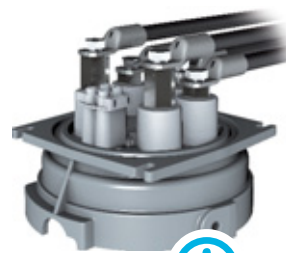
### STRAIGHT CONNECTION

A right angled cable lug (Ø 14) with insulated sleeve.





### RIGHT ANGLE CONNECTION

Straight cable lug (Ø 14) with insulated sleeve.

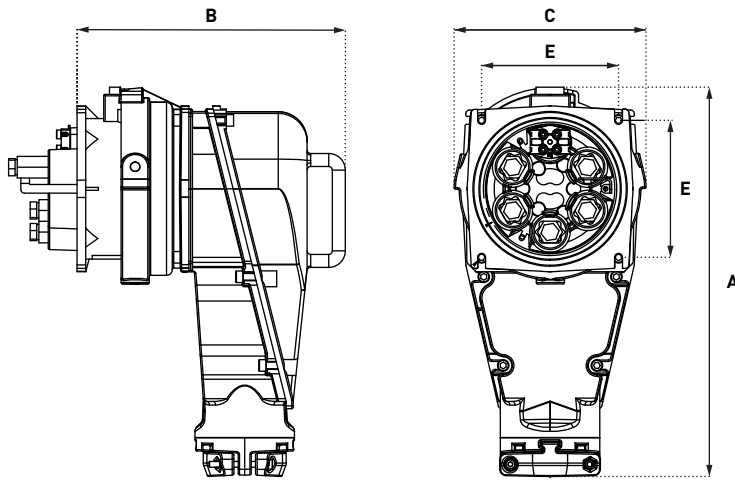


it is recommended to fit insulating sleeves to each lug.

| ACCESSORIES AND OPTIONS   | Reference |
|---|-----------|
| <b>LOCKING KEY</b>  |           |
|  | 496A393   |
| <b>INLET LID</b>  |           |
|  | 496A126   |

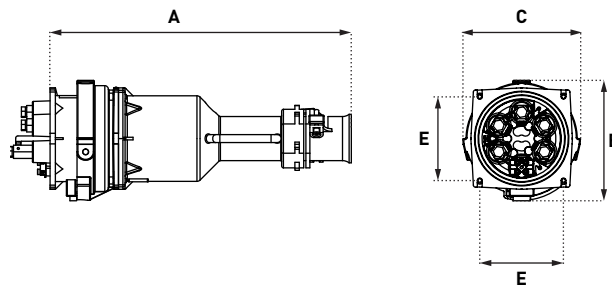
# DRAWINGS AND DIMENSIONS

## PLUG ON 90° ANGLED HANDLE ON SOCKET OUTLET



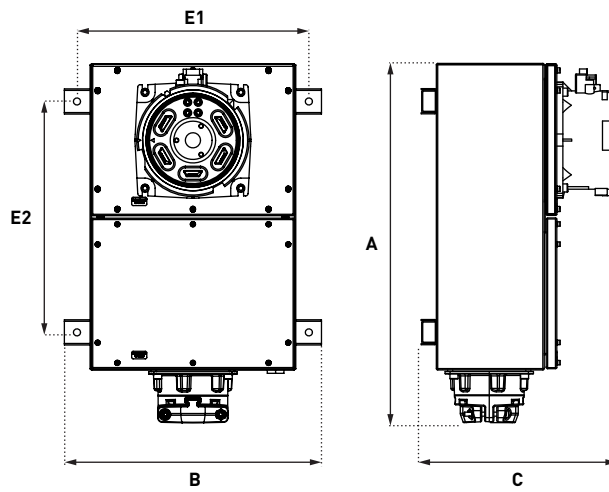
| A   | B   | C   | E   |
|-----|-----|-----|-----|
| 540 | 373 | 266 | 190 |

## PLUG ON STRAIGHT HANDLE ON SOCKET OUTLET



| A   | B   | C   | E   |
|-----|-----|-----|-----|
| 683 | 273 | 266 | 190 |

SOCKET OUTLET ON WALL BOX



|                         | A    | B   | C   | E1  | E2      |
|-------------------------|------|-----|-----|-----|---------|
| 95-150 mm <sup>2</sup>  | 713  | 510 | 390 | 460 | 458     |
| 150-240 mm <sup>2</sup> | 1013 | 510 | 479 | 460 | 400/800 |



# SINGLE POLE CONNECTORS

75 A » 250 A

## CS

Bayonet contact system  
Self-cleaning contacts  
GRP casing

400 A

## DSP400

IP66/IP67  
GRP or metal casing

500 A

## CS1000

IP66/IP67  
Visual and mechanical coding  
Padlocking ring  
GRP casing



| MODEL   | CURRENT | U MAX AC        | MAX. NUM. AUX./PIL. |
|---------|---------|-----------------|---------------------|
| CS2     | 150A    | 50 V (Extra LV) | /                   |
| CS3     | 250A    | 50 V (Extra LV) | /                   |
| DSP400  | 400 A   | 500 V           | 2 PIL.              |
| CS1000  | 500 A   | 1 000 V         | /                   |
| SP      | 750 A   | 1 000 V         | 2 PIL.              |
| DSP1250 | 1250 A  | 1 000 V         | 2 PIL.              |

750 A

## SP

IP66/IP67  
Visual and mechanical coding  
Electromechanical interlocking system  
Overmoulded GRP on metal casing



1250 A

## DSP1250

IP66/IP67  
Metal casing



SINGLE POLE

DOWNLOAD ALL TECHNICAL SHEETS ON OUR  
WEBSITE [MARECHAL.COM](http://MARECHAL.COM)

### SELECTION GUIDE

| MATERIAL      | IP        | IK   | PAGE |
|---------------|-----------|------|------|
| POLY          | NA        | IK08 | 112  |
| POLY          | NA        | IK08 | 112  |
| POLY<br>METAL | IP66/IP67 | IK09 | 116  |
| POLY          | IP66/IP67 | IK08 | 124  |
| POLY          | IP66/IP67 | IK08 | 130  |
| METAL         | IP66/IP67 | IK10 | 132  |

# 75 A → 250 A

50 V (EXTRA LV)  
U MAXI

## SINGLE POLE POWER CONNECTOR CS



See below



GRP



IK08



-20° C  
+60° C

### OTHER FEATURES

| Type CS | Wire cross-section (mm <sup>2</sup> ) | In rated current (A) | I max welding cycle (A) (A) |      |
|---------|---------------------------------------|----------------------|-----------------------------|------|
|         |                                       |                      | 60 %                        | 30 % |
| CS2     | 16                                    | 75                   | 100                         | 150  |
|         | 25                                    | 100                  | 125                         | 200  |
|         | 35                                    | 125                  | 150                         | 250  |
|         | 50                                    | 150                  | 200                         | 300  |
| CS3     | 50                                    | 150                  | 200                         | 300  |
|         | 70                                    | 200                  | 250                         | 350  |
|         | 95                                    | 250                  | 300                         | 400  |

\* Definition of 30% welding cycle: on a 5 min cycle, 30% of the time working (i.e. 1 min 30 s) and 70% off (i.e. 3 min 30 s).



**INLET**  
male with lug



**PLUG**  
male with lug



CS2

CS3

CS2

CS3

Wire cross-section (mm<sup>2</sup>)

|            |            |            |            |            |
|------------|------------|------------|------------|------------|
| 16         | 4 2901 016 |            | 4 0201 016 |            |
| 25         | 4 2901 030 |            | 4 0201 030 |            |
| 35         | 4 2901 040 |            | 4 0201 040 |            |
| 50         | 4 2901 050 | 4 3901 050 | 4 0201 050 | 4 0301 050 |
| 70         |            | 4 3901 075 |            | 4 0301 075 |
| 95         |            | 4 3901 100 |            | 4 0301 100 |
| Screw type | 4 2901 121 | 4 3901 121 |            |            |

**SOCKET-OUTLET**  
female with lug



**COUPLER SOCKET**  
female with lug



CS2

CS3

CS2

CS3

Wire cross-section (mm<sup>2</sup>)

|            |            |            |            |            |
|------------|------------|------------|------------|------------|
| 16         | 4 2401 016 |            | 4 2301 016 |            |
| 25         | 4 2401 030 |            | 4 2301 030 |            |
| 35         | 4 2401 040 |            | 4 2301 040 |            |
| 50         | 4 2401 050 | 4 3401 050 | 4 2301 050 | 4 3301 050 |
| 70         |            | 4 3401 075 |            | 4 3301 075 |
| 95         |            | 4 3401 100 |            | 4 3301 100 |
| Screw type | 4 2401 121 | 4 3401 121 |            |            |

## ADDITIONAL COPPER LUGS

**Lug choice depends on the cable :** the cross-section of the flexible cable mentioned in the table below is for information only. Please check dimensions as these may vary according to cable types and manufacturers.



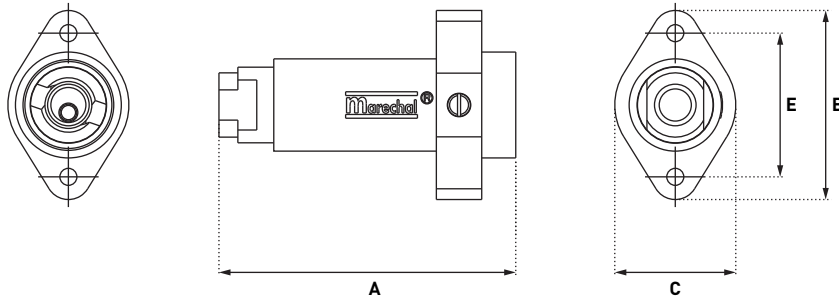
| Wiring (mm <sup>2</sup> ) |          | Straight threaded M10* | Straight threaded M12*           | Straight threaded M14*    | Internal diameter (mm) | External diameter (mm)** |
|---------------------------|----------|------------------------|----------------------------------|---------------------------|------------------------|--------------------------|
| Flexible                  | Stranded | CS2                    | CS3<br>socket and coupler socket | CS3<br>connector and plug |                        |                          |
| 16                        | 25       | 4 2301 416             |                                  |                           | 6,6                    | 9,5                      |
| 25                        | 35       | 4 2301 430             |                                  |                           | 7,9                    | 11                       |
| 35                        | 50       | 4 2301 440             |                                  |                           | 9,2                    | 12,5                     |
| 50                        | 70       | 4 2301 450             | 454A50D                          | 4 3301 450                | 11                     | 15                       |
| 70                        | 95       |                        | 454A70D                          | 4 3301 475                | 13,1                   | 18                       |
| 95                        | 120      |                        | 454A95D                          | 4 3301 400                | 14,5                   | 19                       |

\* Wiring with crimping lugs, according to NF C20-130 standard (for VDE 0220 standard, please contact us). Crimping: double hexagonal crimping is recommended.

\*\*Choose the crimping tool according to the external diameter of your lug.

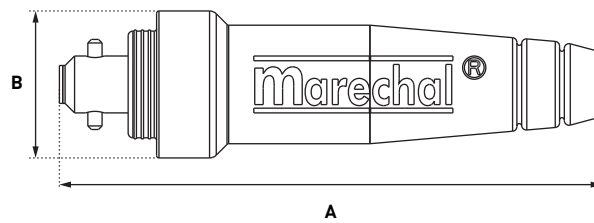
# DRAWINGS AND DIMENSIONS

## SOCKET OUTLET



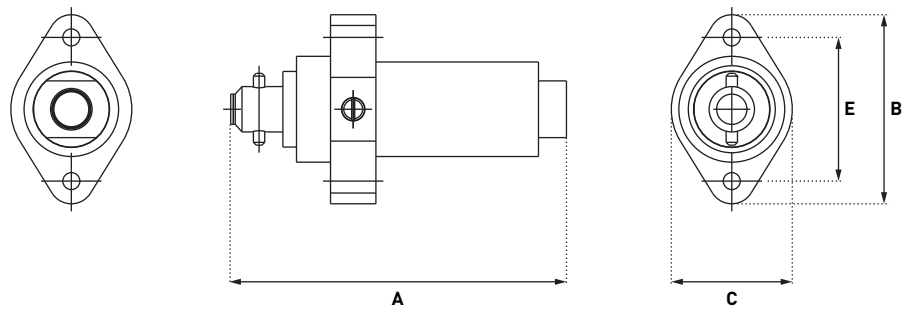
|     | A   | B  | C  | E  |
|-----|-----|----|----|----|
| CS2 | 79  | 50 | 32 | 38 |
| CS3 | 103 | 60 | 44 | 44 |

## PLUG



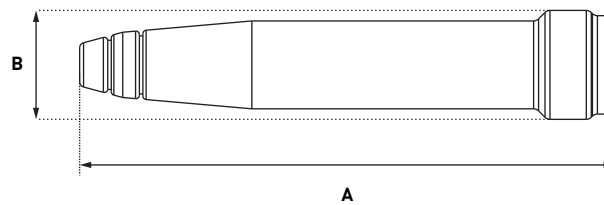
|     | A   | B  |
|-----|-----|----|
| CS2 | 115 | 31 |
| CS3 | 157 | 38 |

CONNECTOR



|     | A   | B  | C  | E  |
|-----|-----|----|----|----|
| CS2 | 89  | 50 | 32 | 38 |
| CS3 | 146 | 60 | 44 | 44 |

COUPLER SOCKET



|     | A   | B  |
|-----|-----|----|
| CS2 | 152 | 31 |
| CS3 | 204 | 38 |

400 A

# DSP400 SINGLE POLE CONNECTOR



## DSP400

- are single pole connectors which are safe, reliable and provide a high level of performance for all permanent high current applications. They withstand frequent overloads up to 400 A.
- Are robust connectors with outstanding durability.
- Are fitted with two pilot contacts for electrical interlocking.

## DSP400 SINGLE POLE CONNECTORS COMPLY WITH:

- the European Directives Low Voltage, RoHS (affixing of CE marking), REACH European Regulation.

## THE HIGHEST POSSIBLE SAFETY

- IP4X/IPXXD (1 mm thread) socket to prevent any hazardous contact.
- Automatic IP66/IP67 watertightness.
- Two pilot contacts for electrical interlocking with an appropriate contactor.

## AN EASILY OPERABLE CONNECTOR

- Mechanical fool-proofing system between phases, neutral and earth.
- Visual identification by standard colours.
- Connection with terminal or threaded crimping lugs.

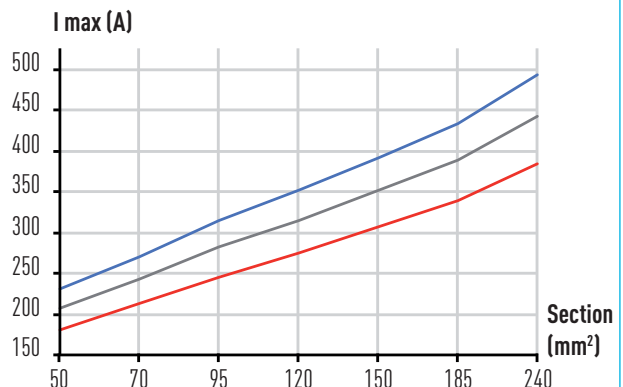
## PERFORMANCES

- Thanks to the butt-contact technology, DSP400 withstands permanent current up to 400 A with 500 V AC or 750 V DC (600 kW).

## DSP400 CHARACTERISATION

Permanent and non-intermittent on-load current permitted for a new DSP400, wired with an appropriate H 07 RN-F cable, and at a defined maximal ambient temperature.

- Tamb maxi : 60°C.
- Tamb maxi : 45°C.
- Tamb maxi : 30°C.



Up to 400 A/500 V

IP66/IP67

Temperature rating -40 °C to +60 °C



# 400 A 500 V

*U MAXI*

## SINGLE POLE POWER CONNECTOR DSP400

**NEW**

GRP OR METAL



500 V AC  
750 V DC



IP66  
IP67



50 - 240 mm<sup>2</sup> (1)  
70 - 300 mm<sup>2</sup> (2)



GRP  
METAL



IK09



-40 °C  
+60 °C



+2 PIL.



EMC  
METAL

(1) Flexible wiring (min.-max.).  
(2) Stranded wiring (min.-max.).  
300 mm<sup>2</sup> = 600 MCM.

### OTHER FEATURES

|  |                          |
|--|--------------------------|
| Pre-wired pilot circuit (4 mm <sup>2</sup> ) | 10 A/400 V               |
| Live part protection                         | IP4X                     |
| Keying positions                             | 7, mechanical and visual |

### REFERENCES (UP TO 500 V AC)



**SOCKET-OUTLET metal DSP400 WITHOUT LUG**



**CONNECTOR metal DSP400 WITHOUT LUG**



**SOCKET-OUTLET GRP DSP400 WITHOUT LUG**



**CONNECTOR GRP DSP400 WITHOUT LUG**

| Type   | COLOR coding |            |            |            |            |
|--|--------------|------------|------------|------------|------------|
|  | Europe*      |            |            |            |            |
| L1   | Brown        | 3964001    | 3968001    | 3164001    | 3168001    |
| L2   | Black        | 3964002    | 3968002    | 3164002    | 3168002    |
| L3   | Grey         | 3964003    | 3968003    | 3164003    | 3168003    |
| Neutral  | Blue         | 396400N    | 396800N    | 316400N    | 316800N    |
| Earth  | Green        | 396400T    | 396800T    | 316400T    | 316800T    |
| Positive                                       | Red          | 396400P    | 396800P    | 316400P    | 316800P    |
| Negative                                       | Black        | 396400M    | 396800M    | 316400M    | 316800M    |
| <b>For products above 500 V (up to 1000 V)</b> |              | contact us | contact us | contact us | contact us |

\* The indicated references are valid for Europe and Japan. For other countries: add the suffix P80 for the USA/P67 for Australia and New Zealand/P40 for UK and South-Africa.

## COPPER LUGS

**Lug choice depends on the cable:** the cross-section of the flexible cable mentioned in the table below is for information only. Please check dimensions as these may vary according to cable types and manufacturers.






| Wiring (mm²) |          | Straight with hole | Straight threaded M12 | Internal diameter (mm) | External diameter (mm)* |
|--------------|----------|--------------------|-----------------------|------------------------|-------------------------|
| Flexible     | Stranded | Reference          | Reference             |                        |                         |
| 50           | 70       | 454A50C            | 454A50D               | 11                     | 15                      |
| 70           | 95       | 454A70C            | 454A70D               | 13,1                   | 18                      |
| 95           | 120      | 45AA95C            | 454A95D               | 14,5                   | 19                      |
| 120          | 150      | 454A12C            | 454A12D               | 16,2                   | 21                      |
| 150          | 185      | 454A15C            | 454A15D               | 18                     | 24                      |
| 185          | 240      | 454A18C            | 454A18D               | 20.6                   | 26                      |
| 240          | 300      | 454A24C            | 454A24D               | 23.1                   | 29                      |

For male contact, wiring with crimping lugs, according to NF C20-130 standard (for VDE 0220 standard, please contact us). Crimping: double hexagonal crimping is recommended.







\*Choose the crimping tool according to the external diameter of your lug.

| OPTIONS   | Reference  |
|---|--|
| <b>LOCKING PIN FOR 2 PADLOCKS Ø 4 TO 8 mm (PADLOCKS NOT SUPPLIED)</b>               |  |
|   | Socket-outlet ref. +843  |
| <b>SAFETY HASP FOR UP TO 6 PADLOCKS</b>   |  |
|  | 399A541  |
| <b>INLET CAP IP66/IP67</b>  |  |
|  | 316A426  |
| <b>IN-LINE CONNECTIONS (A PAIR OF FINGER DRAW PLATES TO AID CLOSING)</b>            |  |
|  | 316A346  |
| <b>IP40 SELF RETURNING LID (MANUAL CLOSING)</b>                                     |  |
|  | Ref. socket poly + R   |
| <b>ELECTROMAGNETIC COMPATIBILITY (EMC) ●</b>  | <b>NEW</b>   |
|  | Please order a metal threaded accessory herewith, together with a EMC cable gland to be found on page 318. |
| <b>SPACER</b>   |  |
|  | Depth 20 mm 594M0-20   |

| HANDLE  | Input/<br>Cable outer Ø | Reference |
|---|-------------------------|-----------|
| <b>POLY HANDLE + POLY CABLE GLAND <sup>(1)</sup></b>                                |                         |           |
|   | 14-25 mm                | 514P032P  |
|   | 18-32 mm                | 514P040P  |
|   | 24-38 mm                | 514P050P  |
| <b>POLY HANDLE (WITHOUT CABLE GLAND) <sup>(1)</sup></b>                             |                         |           |
|  | M32                     | 514P0M32  |
|   | M40                     | 514P0M40  |
|   | M50                     | 514P0M50  |
| <b>METAL HANDLE METRIC THREAD ENTRY (WITHOUT CABLE GLAND) ● <sup>(2)</sup></b>      |                         |           |
|   | M25                     | 594P0M25  |
|  | M32                     | 594P0M32  |
|   | M40                     | 594P0M40  |
|   | M50                     | 594P0M50  |

(1) Compatible for use with M12 straight threaded lugs up to reference 454A12D.

(2) Compatible for use with M12 straight threaded lugs. From reference 454A18D, a 20 mm spacer should be used.

| SLEEVE  |  | Reference            |
|---|---|----------------------|
| <b>POLY SLEEVE</b>  |   |                      |
|  | 30°   | 514M3 <sup>(3)</sup> |
|  | 70°   | 514M7 <sup>(4)</sup> |
| <b>METAL SLEEVE ●</b>   |   |                      |
|  | 0° (Straight)   | 594M0 <sup>(5)</sup> |
|  | 30°   | 594M3 <sup>(3)</sup> |
|  | 70°   | 594M7 <sup>(4)</sup> |

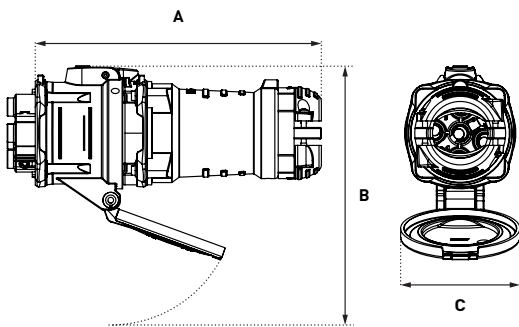
(3) Compatible for use with all M12 straight threaded lugs.

(4) Compatible for use with all terminal lugs.

(5) Compatible for use with all lugs.

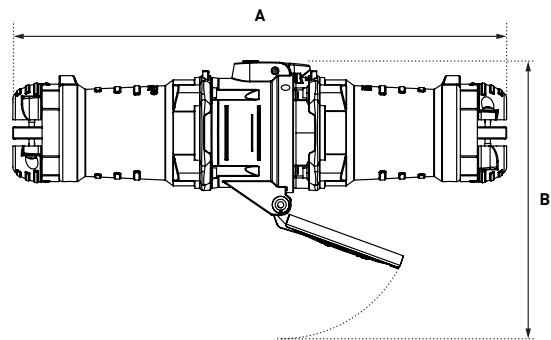
# DRAWINGS AND DIMENSIONS

PLUG ON SOCKET-OUTLET



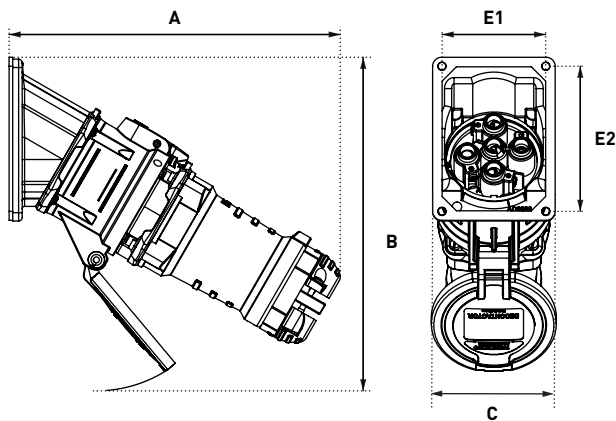
| A   | B   | C   |
|-----|-----|-----|
| 252 | 228 | 105 |

COUPLER



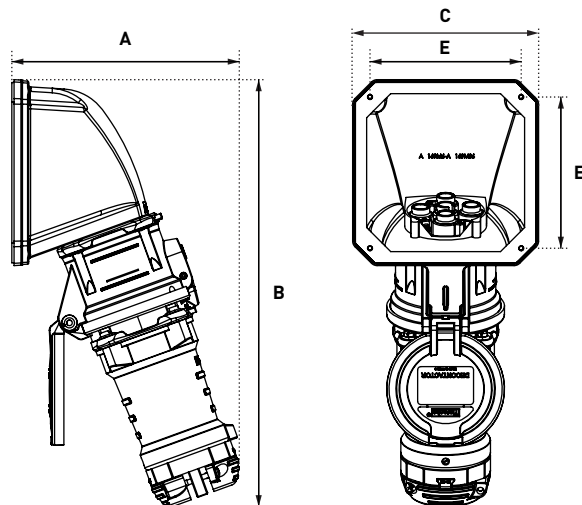
| A   | B   |
|-----|-----|
| 405 | 228 |

PLUG ON 30° INCLINED SOCKET-OUTLET



| A   | B   | C   | E1 | E2  |
|-----|-----|-----|----|-----|
| 278 | 280 | 105 | 87 | 122 |

PLUG ON 70° INCLINED SOCKET-OUTLET

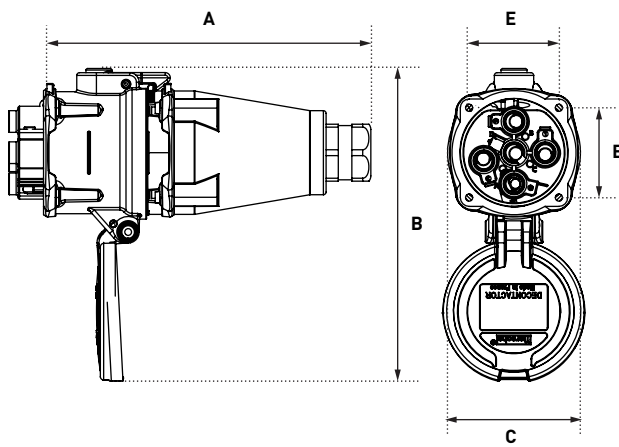


| A   | B   | C   | E   |
|-----|-----|-----|-----|
| 203 | 381 | 166 | 135 |



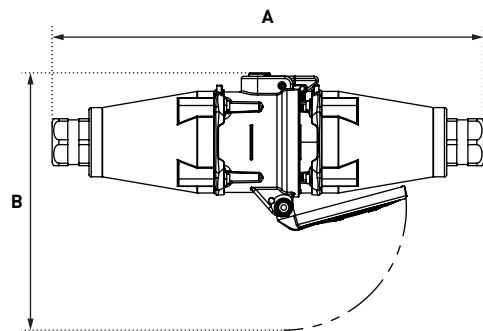
# DRAWINGS AND DIMENSIONS

PLUG ON SOCKET-OUTLET



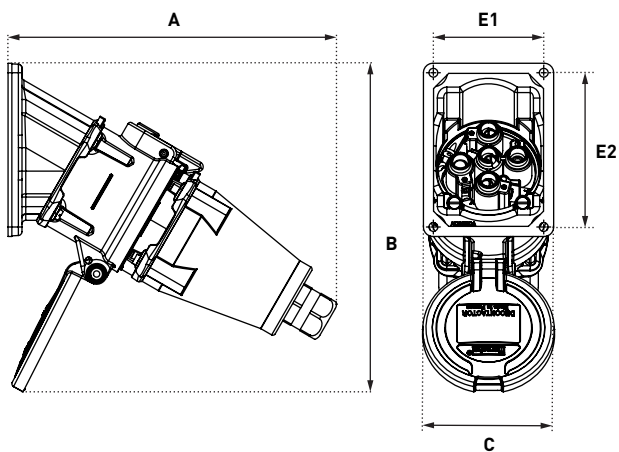
| A   | B   | C   | E  |
|-----|-----|-----|----|
| 241 | 230 | 104 | 66 |

COUPLER



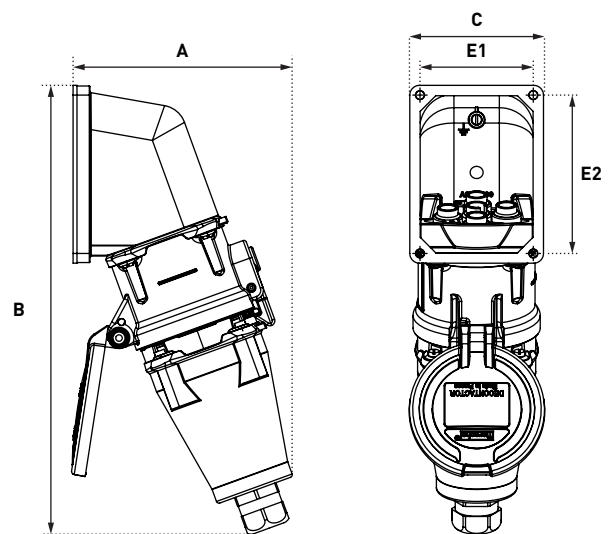
| A   | B   |
|-----|-----|
| 386 | 230 |

PLUG ON 30° INCLINED SOCKET-OUTLET



| A   | B   | C   | D   | E1 | E2  |
|-----|-----|-----|-----|----|-----|
| 279 | 257 | 102 | 136 | 88 | 122 |

PLUG ON 70° INCLINED SOCKET-OUTLET



| A   | B   | C   | E1 | E2  |
|-----|-----|-----|----|-----|
| 169 | 346 | 104 | 88 | 122 |

500 A

# CS1000 SINGLE POLE CONNECTOR



## CS1000

- are single pole connectors which are safe, reliable and provide a high level of performance for all high current applications. They withstand frequent overloads up to 500 A that depend on operating cycle.
- Are robust connectors with outstanding durability.

## CS1000 CONNECTORS COMPLY WITH:

- the European Directives Low Voltage, RoHS (affixing of CE marking), REACH European Regulation.



USA and North  
America



Canada



Russia and Eurasia

## PERFECT SAFETY

- Socket-outlet: IP2X finger protection, without cap,
- IP66/IP67 watertightness with cap ; or upon connection,
- Locking mechanism preventing disconnection by accident.

## EASY CONNECTION

- Mechanical fool-proofing system between phases, neutral and earth,
- Standardised colour coding (according to local regulation),
- Replacable crimping lug in case of cable damage.

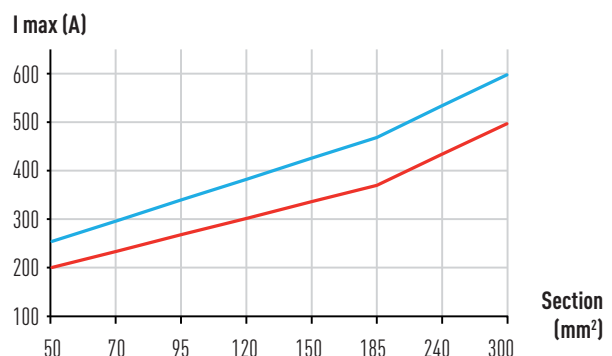
## HIGH PERFORMANCE

- Thanks to its silver butt-contact technology the CS1000 connector withstands permanent current of 500 A/1 000 V AC or 1 500 V DC (wiring from 50 to 400 mm<sup>2</sup>).

## CS1000 CHARACTERISATION

Permanent and non-intermittent on-load current permitted for a new CS1000, wired with an appropriate H 07 RN-F cable, and at a defined maximal ambient temperature.

- Tamb maxi : 60°C.
- Tamb maxi : 30°C.



Up to 500 A/1 000 V

IP66/IP67

Temperature rating -40 °C to +60 °C

Mechanical padlocking ring

IP66/IP67  
seal ring

Safety shutter  
(IP2X protection)



Bayonet operation

Mechanical keying position (Neutral here)

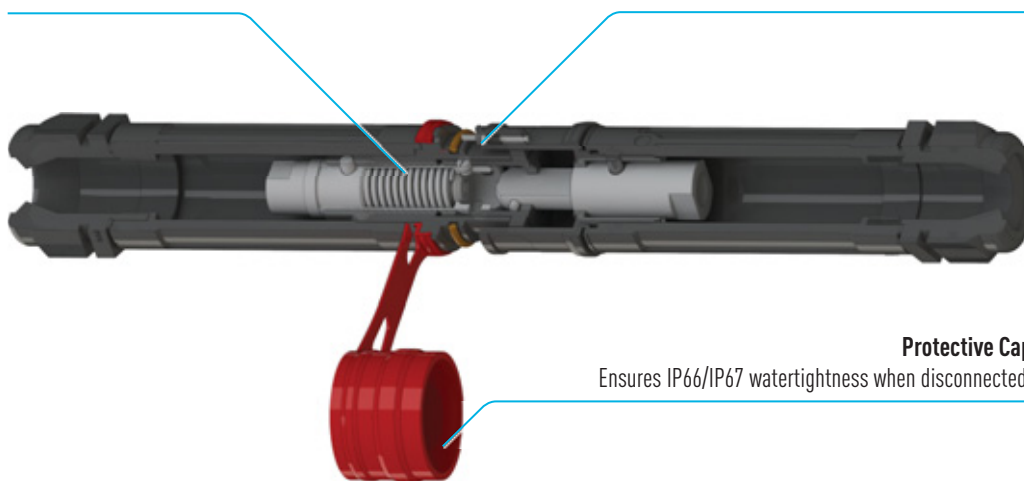
#### Spring Loaded Butt-Style Contacts

Ensures optimal contact force and superior electrical performance over thousands of operations.

#### Silver-Nickel Contact Material

Solid silver-nickel contact surfaces provide:

- superior conductivity,
- corrosion resistance,
- durability.



Protective Cap

Ensures IP66/IP67 watertightness when disconnected.

### 5 MECHANICAL KEYING POSITIONS (EUROPEAN COLOR CODING)

Earth

L1

L2/Negative

L3/Positive

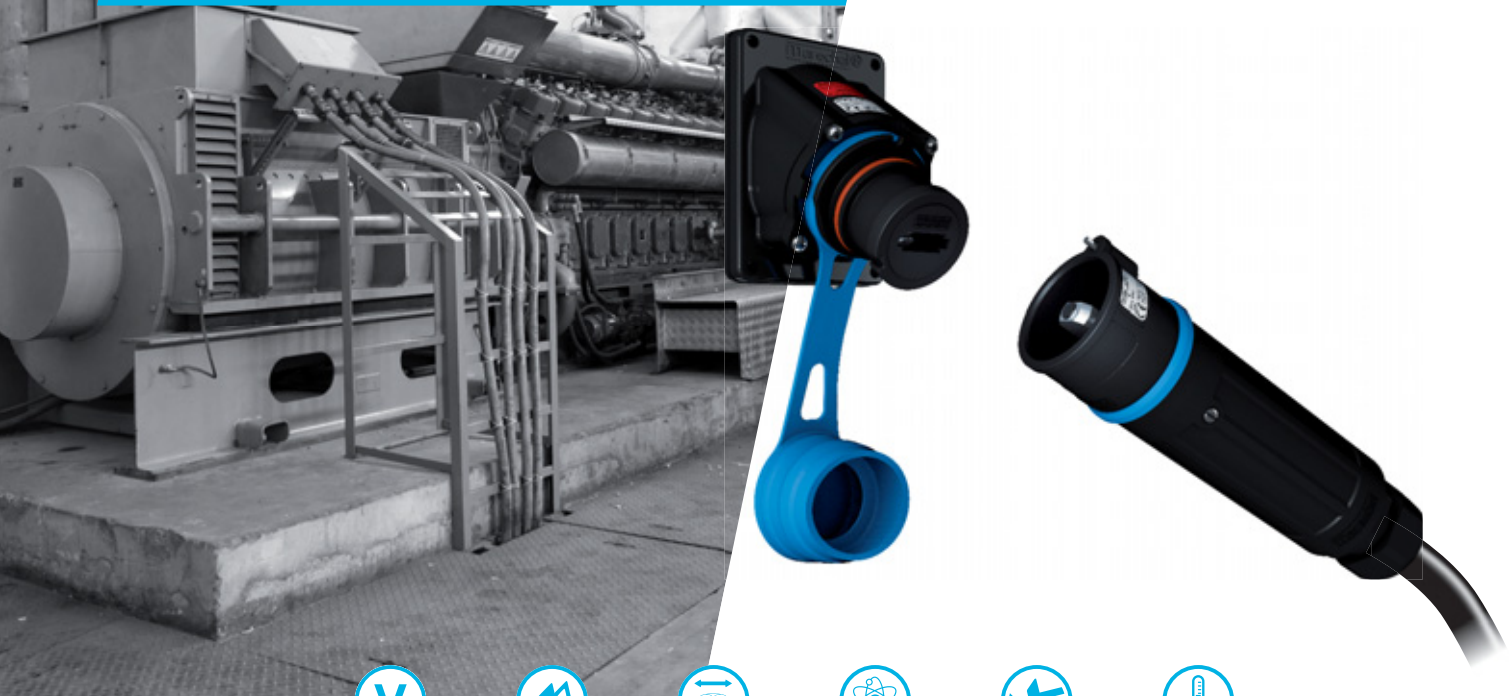
Neutral



# 500 A $1\,000\text{ V}$

$U_{MAX}$

## SINGLE POLE POWER CONNECTOR CS1000



1 000 V AC  
1 500 V DC



IP66  
IP67



50-300 mm<sup>2</sup> (1)  
70-400 mm<sup>2</sup> (2)



GRP



IK08



-40 °C  
+60 °C

(1) Flexible wiring (min.-max.).  
(2) Stranded wiring (min.-max.).

### OTHER FEATURES

|  |                          |
|--|--------------------------|
| Icc : rated conditional short circuit current (kA) | 20 kA during 250 ms      |
| Number of operations                               | 2 000                    |
| Keying positions                                   | 5, mechanical and visual |

### COLOR coding

| Type     | Europe* | Reference | Reference |
|----------|---------|-----------|-----------|
| L1       | Brown   | 4534001   | 4538001   |
| L2       | Black   | 4534002   | 4538002   |
| L3       | Grey    | 4534003   | 4538003   |
| Neutral  | Blue    | 453400N   | 453800N   |
| Earth    | Green   | 453400T   | 453800T   |
| Positive | Red     | 453400P   | 453800P   |
| Negative | Black   | 453400M   | 453800M   |

**SOCKET-OUTLET**  
female  
**CS1000**  
**WITHOUT LUG**



**INLET male**  
**CS1000**  
**WITHOUT LUG**



\* The indicated references are valid for Europe and Japan. for UK, South-Africa and India : add the suffix P40.  
Color coding is as follows: L1 => Red / L2 => Yellow / L3 => Blue / Neutral => Black / Earth => Green / Positive => Red / Negative => Black.

**SOCKET-OUTLET**  
female  
**CS1000**  
**WITHOUT LUG**



**INLET** male  
**CS1000**  
**WITHOUT LUG**



**COLOR coding**

| Type     | Australia and New Zealand | Reference   | Reference   |
|----------|---------------------------|-------------|-------------|
| L1       | Red                       | 4534001-P67 | 4538001-P67 |
| L2       | White                     | 4534002-P67 | 4538002-P67 |
| L3       | Blue                      | 4534003-P67 | 4538003-P67 |
| Neutral  | Black                     | 453400N-P67 | 453800N-P67 |
| Earth    | Green                     | 453400T-P67 | 453800T-P67 |
| Positive | Red                       | 453400P-P67 | 453800P-P67 |
| Negative | Black                     | 453400M-P67 | 453800M-P67 |

| Type     | USA   | Reference   | Reference   |
|----------|-------|-------------|-------------|
| L1       | Black | 4534001-P80 | 4538001-P80 |
| L2       | Red   | 4534002-P80 | 4538002-P80 |
| L3       | Blue  | 4534003-P80 | 4538003-P80 |
| Neutral  | White | 453400N-P80 | 453800N-P80 |
| Earth    | Green | 453400T-P80 | 453800T-P80 |
| Positive | Red   | 453400P-P80 | 453800P-P80 |
| Negative | Black | 453400M-P80 | 453800M-P80 |



## COPPER LUGS

**Lug choice depends on the cable:** the cross-section of the flexible cable mentioned in the table below is for information only. Please check dimensions as these may vary according to cable types and manufacturers.

| Wiring (mm <sup>2</sup> ) |          | Straight with hole | Straight threaded M12 | Internal diameter (mm) | External diameter (mm)* |
|---------------------------|----------|--------------------|-----------------------|------------------------|-------------------------|
| Flexible                  | Stranded | Reference          | Reference             |                        |                         |
| 50                        | 70       | 454A50C            | 454A50D               | 11                     | 15                      |
| 70                        | 95       | 454A70C            | 454A70D               | 13,1                   | 18                      |
| 95                        | 120      | 454A95C            | 454A95D               | 14,5                   | 19                      |
| 120                       | 150      | 454A12C            | 454A12D               | 16,2                   | 21                      |
| 150                       | 185      | 454A15C            | 454A15D               | 18                     | 24                      |
| 185                       | 240      | 454A18C            | 454A18D               | 20,6                   | 26                      |
| 240                       | 300      | 454A24C            | 454A24D               | 23,1                   | 29                      |
| 300                       | 400      | 454A30C            | 454A30D               | 26,1                   | 32                      |
| 400                       | 500      | 454A40C            | 454A40D               | 29,2                   | 40                      |

For male contact, wiring with crimping lugs, according to NF C20-130 standard (for VDE 0220 standard, please contact us). Crimping: Double hexagonal crimping is recommended.

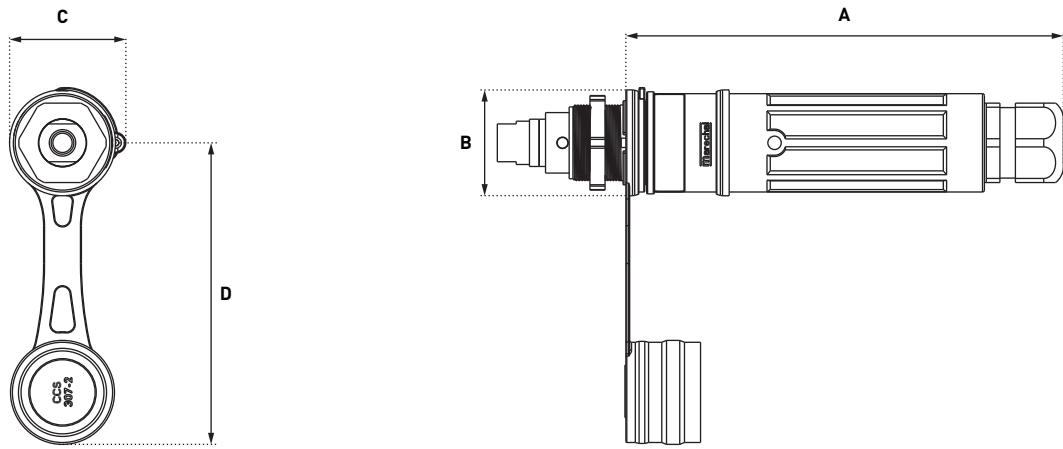
\*Choose the crimping tool according to the external diameter of your lug.

| OPTIONS   | Reference |
|---|-----------|
| <b>PADLOCKING RING</b>  |           |
|  | 453A843   |
| <b>INLET CAP</b>  |           |
|  | 453A126   |
| <b>ADAPTER PLATE</b>  |           |
|  | 453A540   |
| <b>ADDITIONAL UNLOCKING KEY</b>   |           |
|  | 453A396   |

| SLEEVE  | Reference                           |
|---|-------------------------------------|
| <b>SLEEVE INCLINED 30° WITH ADAPTER PLATE</b>   |                                     |
|  The inclined sleeve is recommended to reduce cable weight effect. | 453A027                             |
| <b>HANDLE</b>   | <b>Input/<br/>Cable outer Ø</b>     |
| <b>HANDLE STRAIGHT</b>  |                                     |
|    | M32/14-25 mm 453A753                |
|   | M40/18-32 mm 453A783                |
| <b>HANDLE + MANDATORY ADAPTATION PLATE</b>  |                                     |
| Designed for lugs with part numbers starting from 454A24D.  |                                     |
|   | 454A753 (M50/17-38 mm) + 453A457-SP |
|   | 454A783 (M63/35-48 mm) + 453A457-SP |

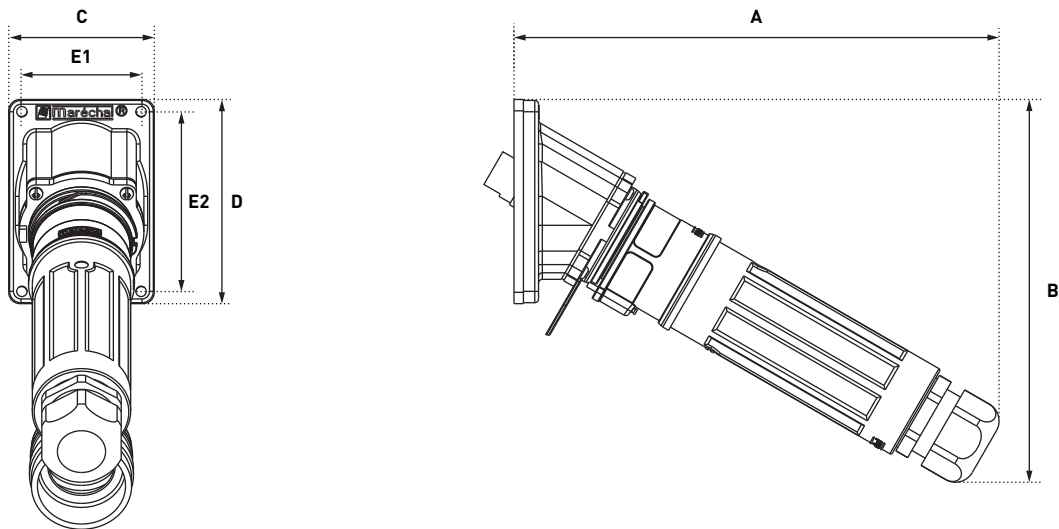
# DRAWINGS AND DIMENSIONS

## PLUG ON SOCKET-OUTLET



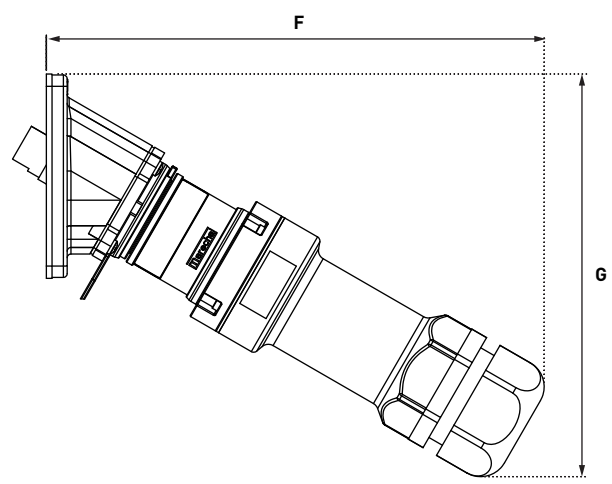
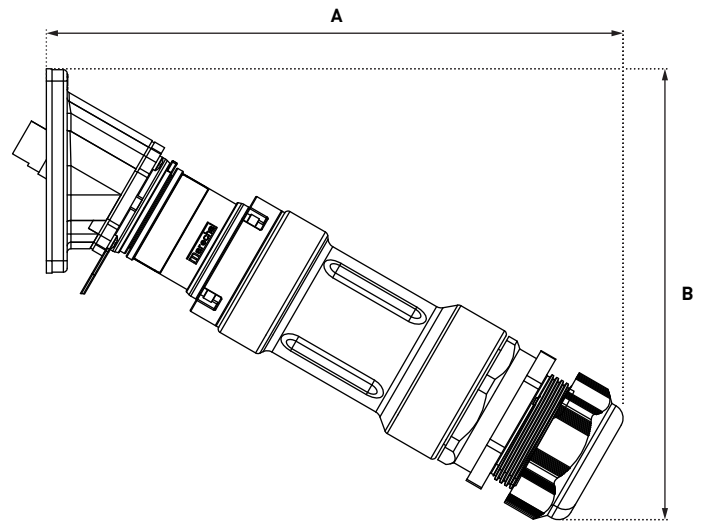
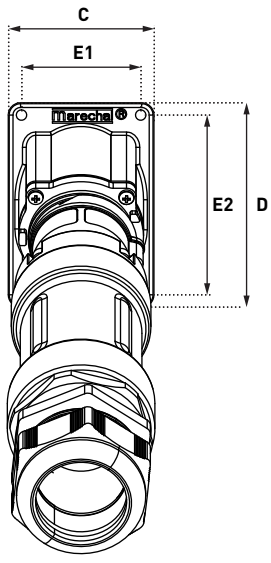
| A   | B  | C  | D   |
|-----|----|----|-----|
| 231 | 56 | 56 | 160 |

## PLUG ON 30° INCLINED SOCKET-OUTLET VERSION WITH HANDLE REF. 453A783 & 453A753



| A   | B   | C  | D   | E1 | E2 |
|-----|-----|----|-----|----|----|
| 257 | 202 | 77 | 108 | 64 | 95 |

**PLUG ON 30° INCLINED SOCKET-OUTLET**  
**VERSION WITH HANDLE REF. 454A783 + 453A457-SP (A, B) & 453A753 + 453A457-SP (F, G)**



| A   | B   | C  | D   | E1 | E2 | F   | G   |
|-----|-----|----|-----|----|----|-----|-----|
| 305 | 238 | 77 | 108 | 63 | 95 | 263 | 213 |

750 A

# SP SINGLE POLE CONNECTOR



## SP

- are single pole connectors which are safe, reliable and provide a high level of performance for all high current applications. They withstand frequent overloads up to 750 A that depend on operating cycle.
- Are robust connectors with outstanding durability.
- Are fitted with an electromechanical interlocking and an electrical interlocking with pilot contact circuit.

## SP SINGLE POLE CONNECTORS COMPLY WITH:

- the European Directives Low Voltage, RoHS (affixing of CE marking), REACH European Regulation.



Canada



Russia  
and Eurasia



Marine



Military  
(Mil-S-901D)

## THE HIGHEST POSSIBLE SAFETY

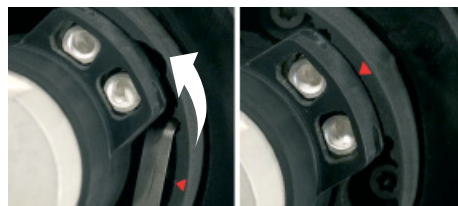
- IP2X socket-outlet when cap removed,
- Automatic IP66/IP67 watertightness when plug is connected.

## AN EASILY OPERABLE CONNECTOR

- Straight insertion of the plug into the socket-outlet without any rotation,
- Mechanical fool-proofing system between phases, neutral and earth,
- Visual identification by standard colours,
- Screwed crimping lugs facilitate cable replacement.

## PERFORMANCES

- Thanks to the butt-contact principle, the SP withstands continuously up to 750 A/1000 V AC or 1500 V DC (70 mm<sup>2</sup> to 630 mm<sup>2</sup> conductors), withstands at least 2 000 operations.

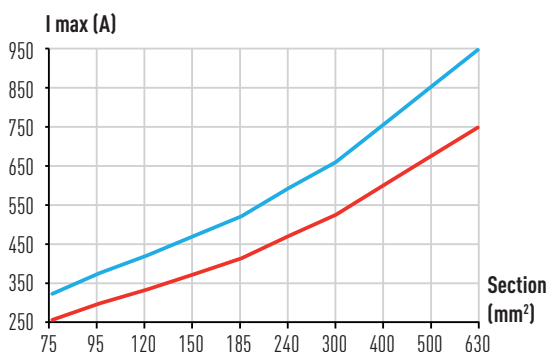


Reliable mechanical and electrical interlocking with pilot contact circuit.

## SP CHARACTERISATION

Permanent and non-intermittent on-load current permitted for a new SP, wired with an appropriate H 07 RN-F cable, and at a defined maximal ambient temperature.

- Tamb maxi : 60°C.
- Tamb maxi : 30°C.



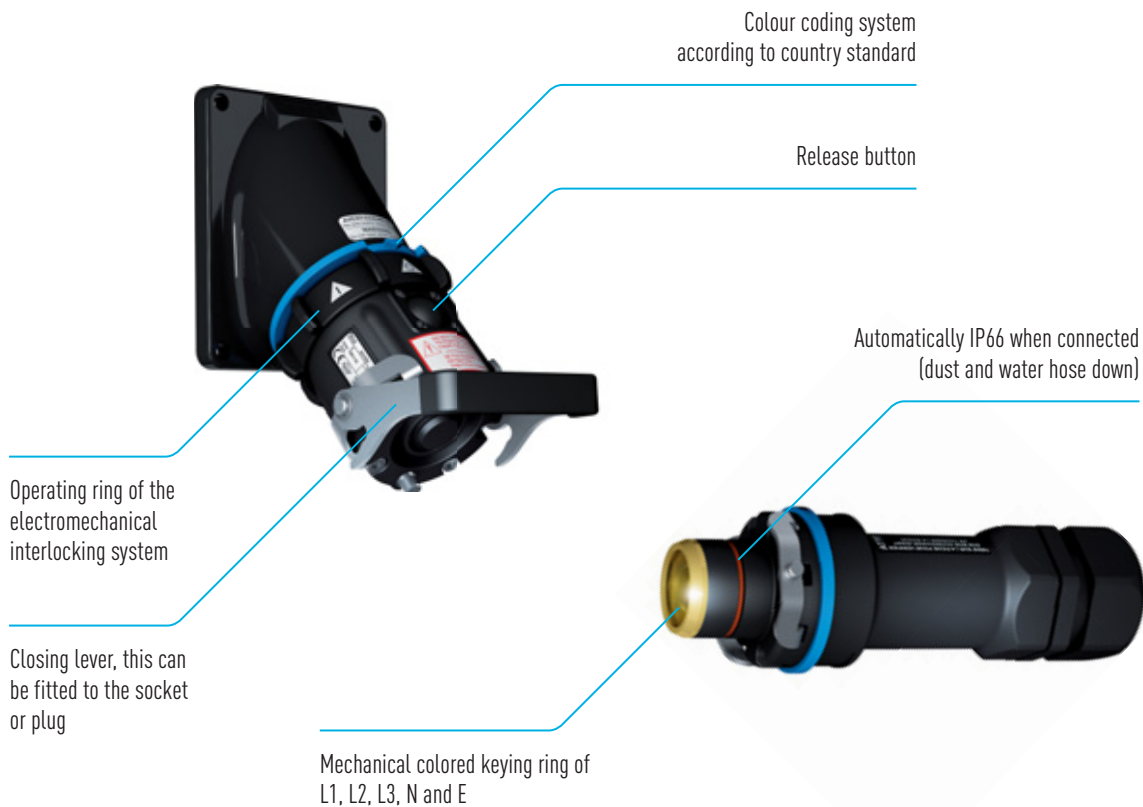


Up to 750 A/1 000 V

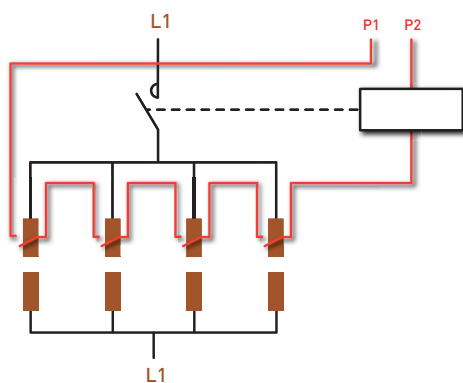
IP66/IP67

Temperature rating -40 °C to +60 °C

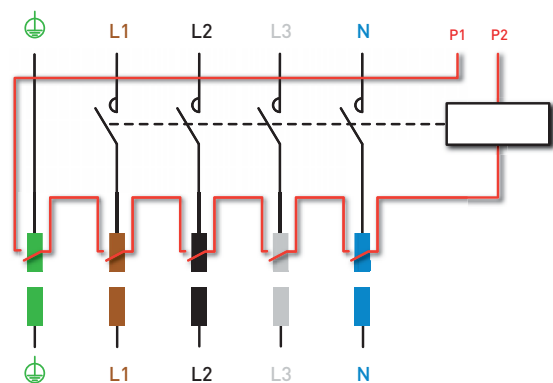
Electromechanical interlocking system



#### INTERLOCKING ELECTRICAL WIRING DIAGRAM: INCREASED POWER WITH PARALLEL CONNECTION



#### INTERLOCKING ELECTRICAL WIRING DIAGRAM: LAST CONNECTION COMPLETES THE CIRCUIT



# 750 A 1 000 V

*U MAXI*

## SINGLE POLE POWER CONNECTOR SP



1 000 V AC  
1 500 V DC



IP66  
IP67



SEE  
TABLE



GRP



IK08



-40 °C  
+60 °C



+2 PIL



### LEVER MECHANISM

#### TO BE ORDERED SEPARATELY

Compatible with socket or inlet since 2018

Lever mechanism : 454A876

Draw base : 454A396



### OTHER FEATURES

|                           |  |
|---------------------------|--|
| Rated current             | Consult us for intensities higher than 700 A |
| Short-circuit current Icc | 20 kA for 250 ms                             |
| Number of operations      | 2 000  |
| Pre-wired pilot circuit   | 10 A/250 V                                   |

### COLOR coding

| Type     | Europe* | Reference | Reference |
|----------|---------|-----------|-----------|
| L1       | Brown   | 4544001   | 4548001   |
| L2       | Black   | 4544002   | 4548002   |
| L3       | Grey    | 4544003   | 4548003   |
| Neutral  | Blue    | 454400N   | 454800N   |
| Earth    | Green   | 454400T   | 454800T   |
| Positive | Red     | 454400P   | 454800P   |
| Negative | Black   | 454400M   | 454800M   |

### SOCKET-OUTLET

female

**SP**

WITHOUT LUG



INLET male

**SP**

WITHOUT LUG



\* The indicated references are valid for Europe and Japan. for UK, South Africa and India : add the suffix P40.

Color coding is as follows: L1 => Red / L2 => Yellow / L3 => Blue / Neutral => Black / Earth => Green / Positive => Red / Negative => Black.

**SOCKET-OUTLET**  
female  
**SP (700 A)**  
**WITHOUT LUG**



**INLET male**  
**SP (700 A)**  
**WITHOUT LUG**



| COLOR coding |                           | Reference   | Reference   |
|--------------|---------------------------|-------------|-------------|
| Type         | Australia and New Zealand |             |             |
| L1           | Red                       | 4544001-P67 | 4548001-P67 |
| L2           | White                     | 4544002-P67 | 4548002-P67 |
| L3           | Blue                      | 4544003-P67 | 4548003-P67 |
| Neutral      | Black                     | 454400N-P67 | 454800N-P67 |
| Earth        | Green                     | 454400T-P67 | 454800T-P67 |
| Positive     | Red                       | 454400P-P67 | 454800P-P67 |
| Negative     | Black                     | 454400M-P67 | 454800M-P67 |

| Type     | USA   | Reference   | Reference   |
|----------|-------|-------------|-------------|
| L1       | Black | 4544001-P80 | 4548001-P80 |
| L2       | Red   | 4544002-P80 | 4548002-P80 |
| L3       | Blue  | 4544003-P80 | 4548003-P80 |
| Neutral  | White | 454400N-P80 | 454800N-P80 |
| Earth    | Green | 454400T-P80 | 454800T-P80 |
| Positive | Red   | 454400P-P80 | 454800P-P80 |
| Negative | Black | 454400M-P80 | 454800M-P80 |

## LUGS

**Lug choice depends on the cable:** the cross-section of the flexible cable mentioned in the table below is for information only. Please check dimensions as these may vary according to cable types and manufacturers.




| Wiring (mm²) |          | Straight with hole | Straight threaded M12 | Internal diameter (mm) | External diameter (mm)* |
|--------------|----------|--------------------|-----------------------|------------------------|-------------------------|
| Flexible     | Stranded | Reference          | Reference             |                        |                         |
| 50           | 70       | 454A50C            | 454A50D               | 11                     | 15                      |
| 70           | 95       | 454A70C            | 454A70D               | 13.1                   | 18                      |
| 95           | 120      | 45AA95C            | 454A95D               | 14.5                   | 19                      |
| 120          | 150      | 454A12C            | 454A12D               | 16.2                   | 21                      |
| 150          | 185      | 454A15C            | 454A15D               | 18                     | 24                      |
| 185          | 240      | 454A18C            | 454A18D               | 20.6                   | 26                      |
| 240          | 300      | 454A24C            | 454A24D               | 23.1                   | 29                      |
| 300          | 400      | 454A30C            | 454A30D               | 26.1                   | 32                      |
| 400          | 500      | 454A40C            | 454A40D               | 29.2                   | 40                      |
| 500          | 630      | 454A500C           | 454A500D              | 33.2                   | 42                      |
| 630          | /        | /                  | 454A63D               | 37.6                   | 52                      |


For male contact, wiring with crimping lugs, according to NF C20-130 standard (for VDE 0220 standard, please contact us). Crimping: Double hexagonal crimping is recommended.

\*Select the crimping tool according to the outside diameter of your lug.

| OPTIONS   | Reference |
|---|-----------|
| <b>M12 CONNECTION PIECE*</b>  |           |
|  | 474A277   |

\*Wiring with straight cable lugs with terminals.

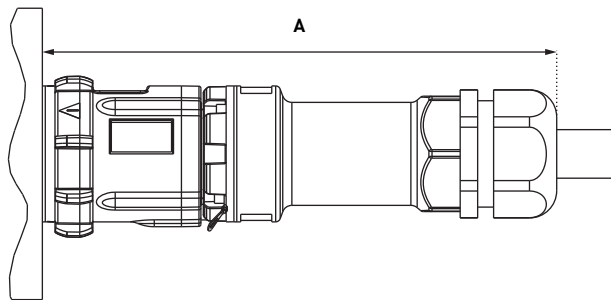
| HANDLE  | Input/<br>Cable outer Ø | Reference |
|---|-------------------------|-----------|
| <b>HANDLE STRAIGHT</b>  |                         |           |
|  | M50<br>17-38 mm         | 454A753   |
|   | M63<br>35-48 mm         | 454A783   |

| SLEEVE  | Reference |
|---|-----------|
| <b>SLEEVE INCLINED METAL 45°</b>  |           |
|  | 454A027   |
| The inclined sleeve is recommended to reduce cable weight effect.                   |           |

| ACCESSORIES   | Reference |
|---|-----------|
| <b>LOCKING PIN FOR 2 PADLOCKS Ø 4 TO 8 mm (PADLOCKS NOT SUPPLIED)</b>               |           |
|  | 454A843   |

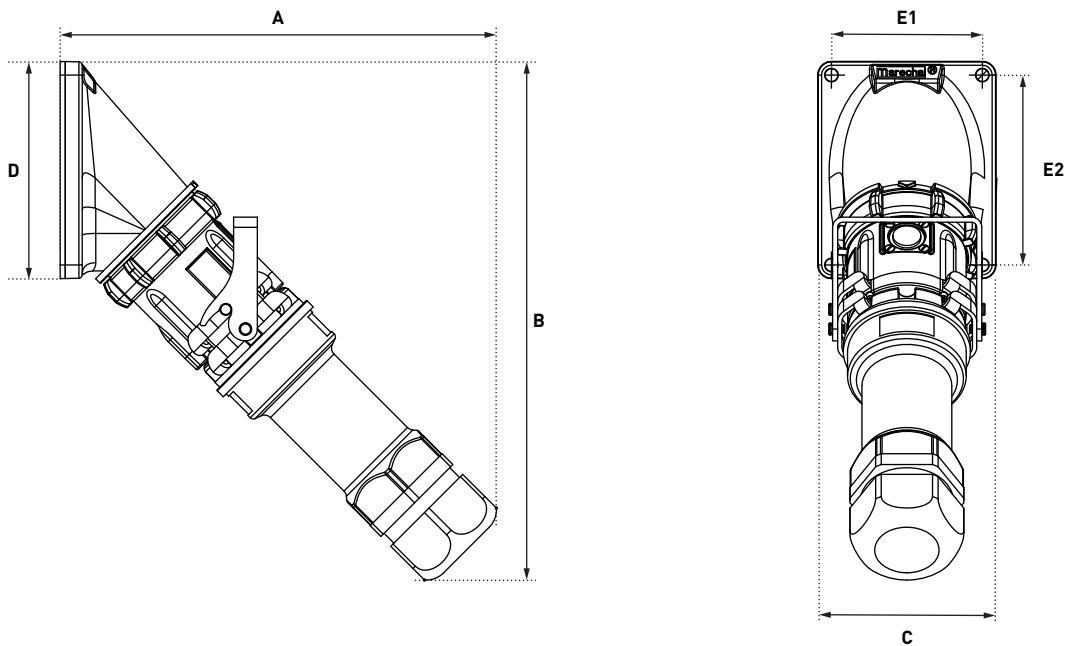
# DRAWINGS AND DIMENSIONS

## PLUG ON SOCKET-OUTLET



|        | A   |
|--------|-----|
| SP M50 | 265 |
| SP M63 | 291 |

## PLUG ON 45° INCLINED SOCKET OUTLET



|        | A   | B   | C   | D   | E1 | E2  |
|--------|-----|-----|-----|-----|----|-----|
| SP M50 | 254 | 306 | 105 | 128 | 89 | 112 |
| SP M63 | 279 | 330 | 105 | 128 | 89 | 112 |



1 250 A

# DSP1250 SINGLE POLE CONNECTOR



## DSP1250

- are single pole connectors which are safe, reliable and provide a high level of performance for all permanent high current applications. They withstand frequent overloads up to 1250 A.
- Are robust connectors with outstanding durability.
- Are fitted with a mechanical interlocking system.
- Are fitted with two pilot contacts for electrical interlocking.

## DSP1250 SINGLE POLE CONNECTORS COMPLY WITH:

- the European Directives Low Voltage, RoHS (affixing of CE marking), REACH European Regulation.

## THE HIGHEST POSSIBLE SAFETY

- IP2X/IPXXB (contact finger) socket to prevent any hazardous contact.
- Automatic IP66/IP67 watertightness.
- Mechanical locking system that prevents from inadvertent on-load breaking.
- Two pilot contacts for electrical interlocking with an appropriate contactor.

## AN EASILY OPERABLE CONNECTOR

- Mechanical fool-proofing system between phases, neutral and earth,
- Visual identification by standard colours,
- Connection with terminal or threaded crimping lugs.

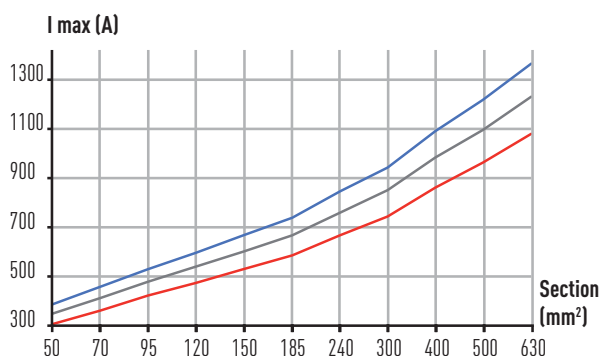
## PERFORMANCES

- Thanks to the butt-contact technology, DSP1250 withstands permanent current up to 1 250 A with 1 000 V AC (1,2 MW) or 1 500 V DC (1,8 MW).

## DSP1250 CHARACTERISATION

Permanent and non-intermittent on-load current permitted for a new DSP1250, wired with an appropriate H 07 RN-F cable, and at a defined maximal ambient temperature.

- Tamb maxi : 60°C.
- Tamb maxi : 45°C.
- Tamb maxi : 30°C.



Up to 1 250 A/1 000 V

IP66/IP67

Temperature rating -40 °C à +60 °C

Electromechanical interlocking system



# 1250A 1 000 V

U MAXI

## SINGLE POLE POWER CONNECTOR DSP1250



1 000 V AC  
1 500 V DC



IP66  
IP67



50 - 630 mm<sup>2</sup> (1)  
70 - 630 mm<sup>2</sup> (2)



METAL



IK10



-40 °C  
+60 °C



+2 PIL



EMC

(1) Flexible wiring (min.-max.).  
(2) Stranded wiring (min.-max.).  
630 mm<sup>2</sup> = 1250 MCM.

### OTHER FEATURES

|  |                          |
|--|--------------------------|
| Mechanical interlock                           | standard                 |
| Pre-wired pilot circuit [2.2 mm <sup>2</sup> ] | 5A/400 V                 |
| Live part protection                           | IP2X                     |
| Keying positions                               | 7, mechanical and visual |

### REFERENCES (UP TO 690 V AC)



**SOCKET-OUTLET**  
metal **DSP1250**  
**WITHOUT LUG**



**CONNECTOR** metal  
**DSP1250**  
**WITHOUT LUG**



Each inlet should be connected to a wall box, a sleeve, a handle or a spacer to ensure correct operation of the closing mechanism.

| Type   | Europe* |                 |                 |
|--|---------|-----------------|-----------------|
| L1   | Brown   | 3924001         | 3928001         |
| L2   | Black   | 3924002         | 3928002         |
| L3   | Grey    | 3924003         | 3928003         |
| Neutral  | Blue    | 392400N         | 392800N         |
| Earth  | Green   | 392400T         | 392800T         |
| Positive                                       | Red     | 392400P         | 392800P         |
| Negative                                       | Black   | 392400M         | 392800M         |
| <b>For products above 690 V (up to 1000 V)</b> |         | Reference + 155 | Reference + 155 |

\* The indicated references are valid for Europe and Japan. For other countries: add the suffix P80 for the USA/P67 for Australia and New Zealand/P40 for UK and South-Africa.



## COPPER LUGS

**Lug choice depends on the cable:** the cross-section of the flexible cable mentioned in the table below is for information only. Please check dimensions as these may vary according to cable types and manufacturers.






| Wiring (mm <sup>2</sup> ) |          | Straight with hole | Straight threaded M12 | Internal diameter (mm) | External diameter (mm)* |
|---------------------------|----------|--------------------|-----------------------|------------------------|-------------------------|
| Flexible                  | Stranded | Reference          | Reference             |                        |                         |
| 50                        | 70       | 454A50C            | 454A50D               | 11                     | 15                      |
| 70                        | 95       | 454A70C            | 454A70D               | 13.1                   | 18                      |
| 95                        | 120      | 45AA95C            | 454A95D               | 14.5                   | 19                      |
| 120                       | 150      | 454A12C            | 454A12D               | 16.2                   | 21                      |
| 150                       | 185      | 454A15C            | 454A15D               | 18                     | 24                      |
| 185                       | 240      | 454A18C            | 454A18D               | 20.6                   | 26                      |
| 240                       | 300      | 454A24C            | 454A24D               | 23.1                   | 29                      |
| 300                       | 400      | 454A30C            | 454A30D               | 26.1                   | 32                      |
| 400                       | 500      | 454A40C            | 454A40D               | 29.2                   | 40                      |
| 500                       | 630      | 454A500C           | 454A500D              | 33.2                   | 42                      |
| 630                       | /        | /                  | 454A63D               | 37.6                   | 52                      |

For male contact, wiring with crimping lugs, according to NF C20-130 standard (for VDE 0220 standard, please contact us). Crimping: Double hexagonal crimping is recommended.

\*Choose the crimping tool according to the external diameter of your lug.

| OPTIONS   | Reference  |
|---|--|
| <b>LOCKING PIN FOR 2 PADLOCKS Ø 4 TO 8 mm (PADLOCKS NOT SUPPLIED)</b>               |  |
|  | Socket-outlet ref. +843  |
| <b>SAFETY HASP FOR UP TO 6 PADLOCKS</b>   |  |
|  | 399A541  |
| <b>INLET CAP IP66/IP67</b>  |  |
|  | 392A426  |
| <b>IP40 SELF RETURNING LID (MANUAL CLOSING)</b>                                     |  |
|  | Socket-outlet ref.+R   |
| <b>ELECTROMAGNETIC COMPATIBILITY (EMC)</b> ● <b>NEW</b>                             |  |
|  | Please order a metal threaded accessory herewith, together with a EMC cable gland to be found on page 318. |
| <b>SPACERS (BETWEEN THE WALL BOX OR PANEL)</b>                                      |  |
|  | Depth 68 mm 5K7M0-68   |
|  | Depth 115 mm 5K7M0-115   |
| <b>PADLOCKING/ELECTRO-MECHANICAL INTERLOCKING</b>                                   |  |
|  | Socket-outlet reference+MIL.<br>Check out the details on page 312  |

| SLEEVE  | Reference                |           |
|---|--------------------------|-----------|
| <b>METAL SLEEVE</b> ●   |                          |           |
|          | 60° 596M6 <sup>(1)</sup> |           |
|          | 60° 597M6 <sup>(2)</sup> |           |
| HANDLE  | Cable outer Ø            | Reference |
| <b>ELASTOMER HANDLE WITH GLAND</b> <sup>(3)</sup>   |                          |           |
|          | 25-35 mm                 | 556P0D35  |
|   | 35-45 mm                 | 556P0D45  |
|   | 45-49 mm                 | 556P0D49  |
| <b>METAL HANDLE WITH INTEGRATED CABLE CLAMP</b> <sup>(4)</sup>                              |                          |           |
|   | 40-50 mm                 | 5K6P0D50  |
|          | 51-60 mm                 | 5K6P0D60  |
|   | 61-70 mm                 | 5K6P0D70  |
|   | 71-80 mm                 | 5K6P0D80  |
|   | 81-90 mm                 | 5K6P0D90  |
| <b>METAL HANDLE METRIC THREAD ENTRY (WITHOUT CABLE GLAND)</b> ● <sup>(4)</sup>              |                          |           |
|   | M40                      | 5K6P0M40L |
|          | M50                      | 5K6P0M50L |
|   | M63                      | 5K6P0M63L |
|   | M75                      | 5K6P0M75L |
| <b>METAL HANDLE METRIC THREAD ENTRY (WITHOUT CABLE GLAND) - LARGE SIZE</b> ● <sup>(4)</sup> |                          |           |
|          | M63                      | 796P0M63  |
|   | M75                      | 796P0M75  |

(1) Compatible for use with all straight terminal lugs.

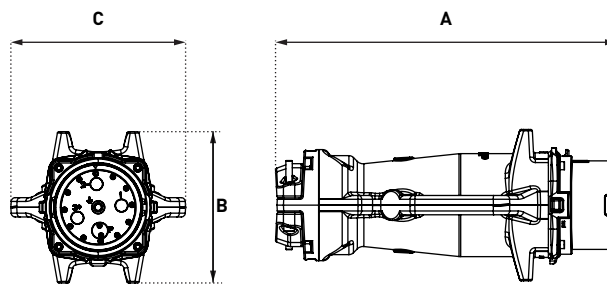
(2) Compatible for use with M12 straight threaded lugs. From reference 454A40D, a 68 mm minimum spacer should be used.

(3) Compatible for use with M12 straight threaded lugs. From reference 454A24D, a 68 mm minimum spacer should be used.

(4) Compatible for use with all M12 straight threaded lugs.

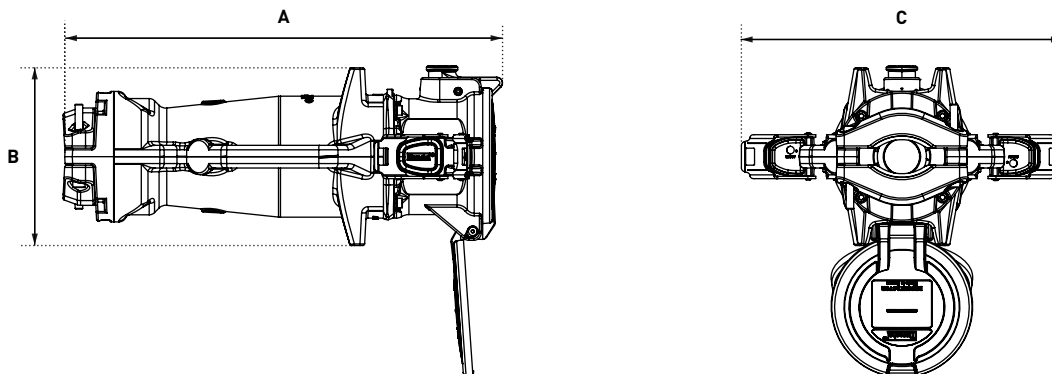
# DRAWINGS AND DIMENSIONS

## PLUG



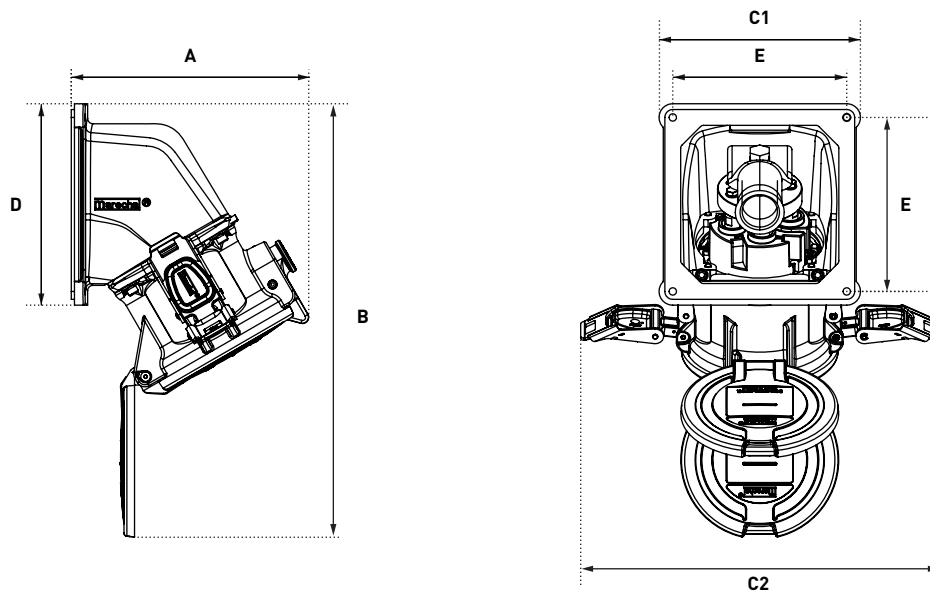
| A   | B   | C   |
|-----|-----|-----|
| 475 | 147 | 147 |

## COUPLER SOCKET



| A   | B   | C   |
|-----|-----|-----|
| 463 | 188 | 340 |

SOCKET OUTLET INCLINED AT 60°



| A   | B   | C1  | C2  | D   | E   |
|-----|-----|-----|-----|-----|-----|
| 225 | 411 | 191 | 340 | 191 | 165 |



# MULTICONTACT CONNECTORS

**7 CONTACTS**

**25 A**

**PN7C**



**7 CONTACTS**

**50 A/100 A**

**DS7C3/6**



**9 CONTACTS**

**30 A**

**DN9C**



**12 CONTACTS**

**16 A**

**PN12C**



MODEL

MAX NB OF CONTACTS

CURRENT

U MAX  
AC

PN7C

6+E (screw-type)

25 A

500 V

DS7C3

6+E (screw-type)

50 A

500 V

DS7C6

6+E (screw-type)

100 A

500 V

DN9C

8+E (screw-type)

30 A

415 V

PN12C

11+E (welding/crimping)

16 A

480 V

DSN12C

11+E (welding/crimping)

16 A

480 V

DN20C

19+E (screw-type)

25 A

415 V

DSN24C

23+E (welding/crimping)

16 A

480 V

DSN37C

36+E (welding/crimping)

16 A

480 V

DOWNLOAD ALL TECHNICAL SHEETS ON OUR WEBSITE [MARECHAL.COM](http://MARECHAL.COM)

**SELECTION GUIDE**

**12 CONTACTS**  
**16 A**

**DSN12C**



**20 CONTACTS**  
**25 A**

**DN20C**



**24 CONTACTS**  
**16 A**

**DSN24C**



**37 CONTACTS**  
**16 A**

**DSN37C**



MULTICONTACT



| MATERIAL   | IP        | EMC         | IK   | PAGE |
|------------|-----------|-------------|------|------|
| POLY METAL | IP66/IP67 | Yes (metal) | IK09 | 144  |
| METAL      | IP66/IP67 | Yes         | IK09 | 148  |
| POLY METAL | IP66/IP67 | Yes (metal) | IK09 | 152  |
| METAL      | IP54/IP55 | Yes         | IK09 | 156  |
| POLY METAL | IP66/IP67 | Yes (metal) | IK09 | 160  |
| POLY       | IP66/IP67 | /           | IK09 | 164  |
| METAL      | IP54/IP55 | /           | IK09 | 168  |
| POLY       | IP66/IP67 | /           | IK09 | 172  |
| POLY       | IP66/IP67 | /           | IK09 | 176  |






# CRIMPING CONTACTS

## FOR PN12C/DSN12C/DSN24C/DSN37C

### ECONOMIC AND TECHNICAL ADVANTAGES

Crimping ensures an economical and sustainable solution through installation time saving and quality of connection.

- No need for soldering performance qualifications.
- High resistance to vibrations.
- Handling more than 5000 operations: a high durability and quality of connection guaranteed.

| ACCESSORIES AND OPTIONS   | DESIGNATION                              | REFERENCE   |
|---|--|---|
|    | Bag of 13 females contacts               | 01AA213   |
|   | Bag of 13 males contacts                 | 01AA113 (PN12C/DSN12C)<br>61CA113 (DSN24C/DSN37C) |
|  | Multi-Contact removal tool               | 61CA593   |
|  | European crimping tool                   | 61CA500   |
|  | Helavia sleeve expansion tool            | 61CA400   |
|   | Bag of 13 heat shrink insulation sleeves | 61CA083   |

### FAST WIRING

- Cable conductors: 1 mm<sup>2</sup> to 2,5 mm<sup>2</sup>
- Before wiring, add a heat-shrink sleeve or insulating sleeve on each conductor.
- After wiring, cover the visible portion of the contact with the sleeve.
- Crimp the contact with a KNIPEX crimping tool P/N° 61CA500 or a GREENLEE crimping tool P/N° 45505.
- Use the 4 mm<sup>2</sup> footprint whatever the conductor cross-section.
- Perform double crimping in compliance with NF C 20-130 and CEI 60352-2 standards.
- Conductors can equally be soldered.

### INFOS +

Leaving 2 contacts unused can give 9 different keying positions (on socket outlet side or mobile plug side) using the two specific stopping plugs supplied.

# SIMPLE ASSEMBLY AND DISASSEMBLY

## ASSEMBLY

To insert contacts when they have been wired is simple. Push wired contact into rear of insulator until it stops to complete the installation.

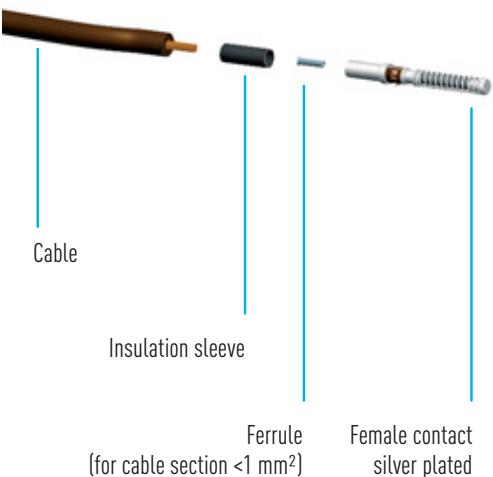


## DISASSEMBLY

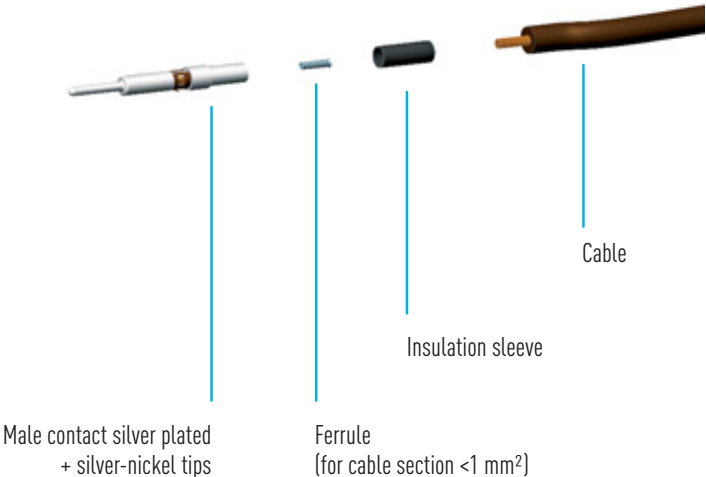
To remove, use the tool provided. Push tool from front onto contact until tool stops. Contact is then released at rear of insulator.



### Socket-outlet side



### Connector side



# 7 CONTACTS

25 A

500 V  
U<sub>MAXI</sub>

## MULTICONTACTS CONNECTORS PN7C



IP66  
IP67



1-4 mm<sup>2</sup> (1)  
1-6 mm<sup>2</sup> (2)



GRP  
METAL



IK09



-40 °C  
+60 °C



EMC  
METAL

(1) Flexible wiring (min.-max.).  
(2) Stranded wiring (min.-max.).

### OTHER FEATURES

|                          |            |
|--------------------------|------------|
| ∑ of currents (contacts) | ≤ 130 A    |
| Terminals wiring         | screw-type |



**SOCKET-OUTLET**  
female  
PN7c



**INLET** male  
PN7c



GRP devices are not compatible with metal devices.

|          |             |         |         |
|----------|-------------|---------|---------|
| 50 V AC  | 6P (16 A)   | 01P4060 | 01P8060 |
| 50 V AC  | 7P (16 A)   | 01P4070 | 01P8070 |
| 500 V AC | 5P+E (25 A) | 01P4051 | 01P8051 |
| 500 V AC | 6P+E (16 A) | 01P4061 | 01P8061 |



**SOCKET-OUTLET**  
female  
PN7c



**INLET** male  
PN7c



For a black colour GRP housing replace the second reference character with 5.

|          |             |         |         |
|----------|-------------|---------|---------|
| 50 V AC  | 6P (16 A)   | 09P4060 | 09P8060 |
| 50 V AC  | 7P (16 A)   | 09P4070 | 09P8070 |
| 480 V AC | 5P+E (25 A) | 09P4051 | 09P8051 |
| 480 V AC | 6P+E (16 A) | 09P4061 | 09P8061 |



| OPTIONS  | Reference                             |
|--|---------------------------------------|
| <b>LOCKING FOR 1 PADLOCK Ø 4 mm (WITHOUT SHAFT)</b>  |                                       |
|   | Ref. + 843                            |
| <b>SCREW LOCKING IMPRINT BTR 2,5</b>   |                                       |
|   | Ref. + 22                             |
| <b>INLET CAP IP66/IP67</b>   |                                       |
|   | 01NA426                               |
| <b>REVERSED INTERIOR AND CONTACTS</b>  |                                       |
|  The connector is supplied with a rubber inlet cap. | Ref. conn. + 001<br>Ref. socket + 001 |
| <b>180° OPENING LID</b>  |                                       |
|   | Ref. socket + 10                      |
| <b>IP40 SELF RETURNING LID (MANUAL CLOSING)</b>  |                                       |
|   | Socket-outlet ref.+R                  |
| <b>180° OPENING + SELF-RETURNING LID</b>   |                                       |
|   | Ref. socket + 18                      |
| <b>ELECTROMAGNETIC COMPATIBILITY (EMC)</b> ●   | <b>NEW</b>                            |








Please order a metal threaded accessory herewith, together with a EMC cable gland to be found on page 318.



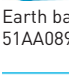



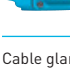

#### PRODUCTS AVAILABLE IN BLACK ●

The black dot means these products are also available in black color. Replace the second character of the product reference with 5

#### PRODUCT WITH ANTI-BACTERIAL TREATMENT ●

This sticker means that the product is also available with an antibacterial treatment. Add the suffix AG to the reference. For more information on anti-bacterial treated handles please consult us.

| SLEEVE  | ∠x°           | Reference |
|---|---------------|-----------|
| <b>POLY SLEEVE</b> ●  |               |           |
|  | 30°           | 511M3     |
|  | 70°           | 511M7     |
| <b>METAL SLEEVE</b> ●   |               |           |
|  | 0° (Straight) | 591M0     |
|  | 30°           | 591M3     |
|  | 45°           | 591M4     |

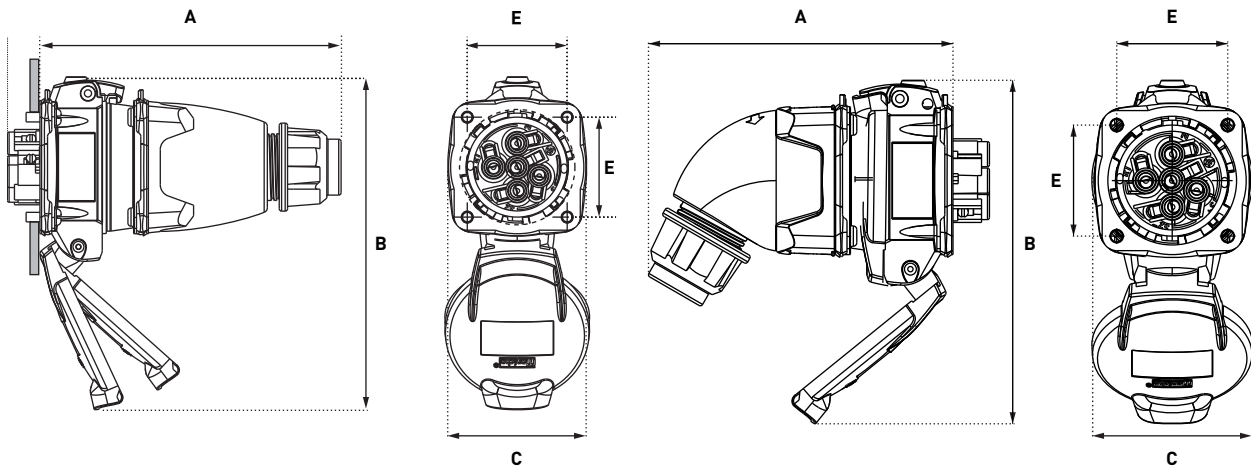
| BOXES   | ∠x°           | Input        | Ref.     |
|---|---------------|--------------|----------|
| <b>POLY BOX</b> ●   |               |              |          |
|    | 0° (Straight) | M20          | 511B0M20 |
|    | 0° (Straight) | M25          | 511B0M25 |
|    | 30°           | M20          | 511B3M20 |
|    | 30°           | M25          | 511B3M25 |
| <b>POLY BOX + POLY SLEEVE</b>   |               |              |          |
|    | 70°           | Without hole | 511C7000 |
|    | 70°           | Hole Ø 20    | 511C7M20 |
|    | 70°           | Hole Ø 25    | 511C7M25 |
|    | 70°           | Hole Ø 32    | 511C7M32 |
| Earth bar ref. : 51AA089  |               |              |          |
| <b>METAL BOX (+ EARTHING WIRE) + POLY SLEEVE</b>                                    |               |              |          |
|    | 30°           | M20          | 511C3M20 |
| <b>METAL BOX (+ EARTHING WIRE) + METAL SLEEVE</b> ●                                 |               |              |          |
|    | 45°           | M20          | 591C4M20 |
|    | 45°           | M25          | 591C4M25 |
|  | 45°           | M32          | 591C4M32 |

Cable glands are not delivered with the boxes.

| HANDLE  | Input/<br>Cable outer Ø | Ref.     |          |
|---|-------------------------|----------|----------|
| <b>POLY HANDLE WITH GLAND</b> ● ●   |                         |          |          |
|  | 9-18 mm                 | 511P0D18 |          |
|  | 5-21 mm                 | 511P0D21 |          |
|  | 60°                     | 9-18 mm  | 511P6D18 |
| <b>POLY HANDLE + POLY CABLE GLAND</b> ● ●   |                         |          |          |
|  | 5-12 mm                 | 511P020P |          |
|  | 9-18 mm                 | 511P025P |          |
|  | 14-25 mm                | 511P032P |          |
| <b>METAL HANDLE WITH METAL GLAND (+ EARTHING WIRE)</b>                              |                         |          |          |
|  | 7-13 mm                 | 591P020M |          |
|  | 8-16 mm                 | 591P025M |          |
|  | 16-24 mm                | 591P032M |          |
| <b>POLY HANDLE (WITHOUT CABLE GLAND)</b> ●  |                         |          |          |
|  | M20                     | 511P0M20 |          |
|  | M25                     | 511P0M25 |          |
|  | M32                     | 511P0M32 |          |
| <b>METAL HANDLE METRIC THREAD ENTRY (WITHOUT CABLE GLAND)</b> ●                     |                         |          |          |
|  | M20                     | 591P0M20 |          |
|  | M25                     | 591P0M25 |          |
|  | M32                     | 591P0M32 |          |

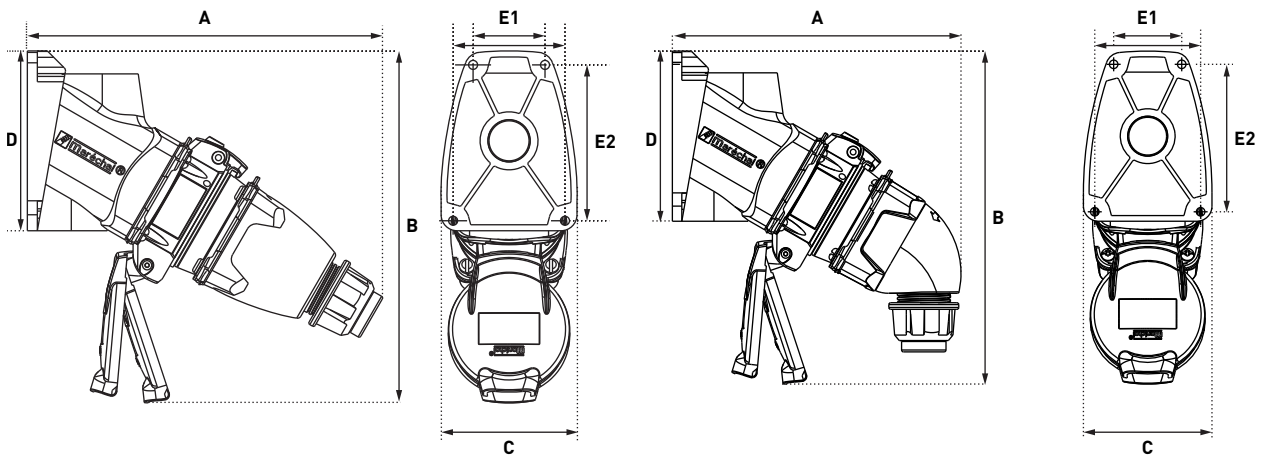
# DRAWINGS AND DIMENSIONS

## PLUG ON SOCKET-OUTLET



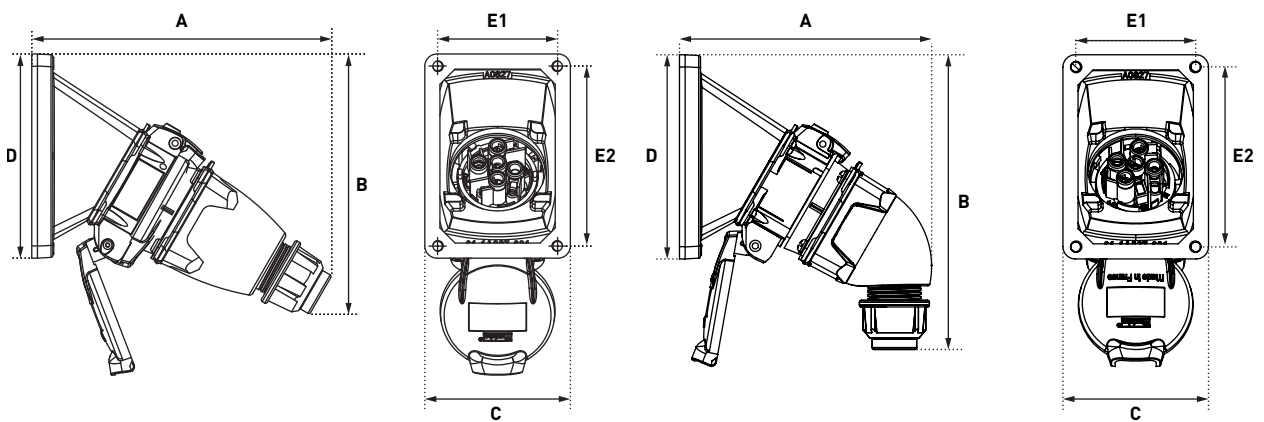
|                        | A   | B   | C  | E  |
|------------------------|-----|-----|----|----|
| <b>Straight handle</b> | 127 | 140 | 58 | 42 |
| <b>Angled handle</b>   | 117 | 138 | 61 | 42 |

## PLUG ON 30° WALL MOUNTED SOCKET OUTLET



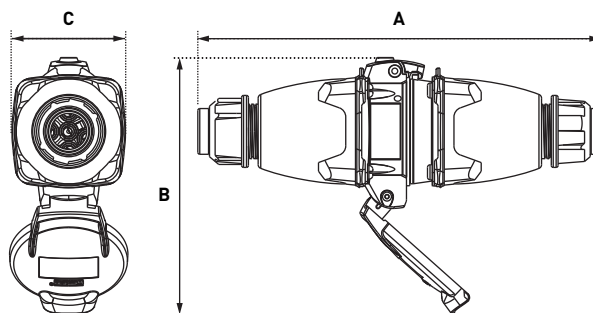
|                        | A   | B   | B  | D  | E1    | E2 |
|------------------------|-----|-----|----|----|-------|----|
| <b>Straight handle</b> | 178 | 176 | 68 | 90 | 36/56 | 78 |
| <b>Angled handle</b>   | 153 | 176 | 68 | 90 | 36/56 | 78 |

PLUG ON 30° INCLINED SOCKET-OUTLET



|                        | A   | B   | C  | D   | E1 | E2 |
|------------------------|-----|-----|----|-----|----|----|
| <b>Straight handle</b> | 160 | 170 | 77 | 108 | 63 | 95 |
| <b>Angled handle</b>   | 133 | 165 | 77 | 108 | 63 | 95 |

COUPLER



|                        | A   | B   | C  |
|------------------------|-----|-----|----|
| <b>Straight handle</b> | 208 | 132 | 58 |

# 7 CONTACTS

50 A

500 V  
U<sub>MAXI</sub>

## DECONTACTOR™ DS7C3



IP66  
IP67



2,5-6 mm<sup>2</sup> (1)  
2,5-10 mm<sup>2</sup> (2)



GRP  
METAL



IK09



-40 °C  
+60 °C



AC-22  
AC-23



60309-1  
60309-4  
60947-3



3 AUX.



EMC  
METAL

(1) Flexible wiring (min.-max.).  
(2) Stranded wiring (min.-max.).

### LOAD-BREAK CAPABILITY OF THE DECONTACTOR™

|   |           |
|---|-----------|
| Comply with IEC/EN 60309-1 standards                    | 50A/500 V |
| Load-break capability according to IEC/EN 60947-3/AC-22 | 50A/500 V |

### OTHER FEATURES

|  |                        |
|--|------------------------|
| Terminals wiring                         | screw-type             |
| Flexible and stranded wiring (min.-max.) | 2,5-10 mm <sup>2</sup> |



**SOCKET-OUTLET**  
female  
**DS7c3**



**INLET** male  
**DS7c3**



|   |             |            |            |
|---|-------------|------------|------------|
| 50 A/max 500 V AC                           | 6P+E        | 3134561    | 3138561    |
| 50 A/max 500 V AC<br>Auxiliaries 10 A/400 V | 6P+E+3 aux. | 3134561972 | 3138561972 |












**SOCKET-OUTLET**  
female  
**DS7c3**








**INLET** male  
**DS7c3**







|   |             |            |            |
|---|-------------|------------|------------|
| 50 A/max 500 V AC                           | 6P+E        | 3934561    | 3938561    |
| 50 A/max 500 V AC<br>Auxiliaries 10 A/400 V | 6P+E+3 aux. | 3934561972 | 3938561972 |

| OPTIONS   | Reference  |
|---|--|
| <b>LOCKING PIN FOR 2 PADLOCKS Ø 4 TO 8 mm (PADLOCKS NOT SUPPLIED)</b>               |  |
|    | Socket-outlet ref. +843  |
| <b>SAFETY HASP FOR UP TO 6 PADLOCKS</b>   |  |
|    | 399A541  |
| <b>LARGER RELEASE BUTTON</b>  |  |
|    | Ref. socket +453   |
| <b>INLET CAP IP66/IP67</b>  |  |
|    | 316A426  |
| <b>IN-LINE CONNECTIONS (A PAIR OF FINGER DRAW PLATES TO AID CLOSING)</b>            |  |
|    | 316A346  |
| <b>IP40 SELF RETURNING LID (MANUAL CLOSING)</b>                                     |  |
|    | Ref. socket poly + R   |
| <b>IP55 METAL LOCKABLE SELF-CLOSING LID FOR INLET</b>                               |  |
|   | 396A226  |
| <b>ELECTROMAGNETIC COMPATIBILITY (EMC)</b> ●  | <b>NEW</b>   |
|  | Please order a metal threaded accessory herewith, together with a EMC cable gland to be found on page 318. |
| <b>SELF-EJECTION</b>  |  |
|  | See page 192   |




| HANDLE  | Input/Cable outer Ø | Reference | Self-ejection |
|---|---------------------|-----------|---------------|
| <b>ELASTOMER HANDLE WITH GLAND</b>  |                     |           |               |
|  | 18-25 mm            | 554P0D25L | Ref. +443     |
|   | 25-35 mm            | 554P0D35L | Ref. +443     |
|   | 35-45 mm            | 554P0D45L | Ref. +443     |
|   | 45-49 mm            | 554P0D49L | Ref. +443     |
| <b>POLY HANDLE WITH GLAND</b>   |                     |           |               |
|  | 13-35 mm            | 514P0D35  | /             |
| <b>POLY HANDLE + POLY CABLE GLAND</b>   |                     |           |               |
|  | 14-25 mm            | 514P032P  | Ref. +443     |
|   | 18-32 mm            | 514P040P  | Ref. +443     |
|   | 24-38 mm            | 514P050P  | Ref. +443     |
| <b>POLY HANDLE (WITHOUT CABLE GLAND)</b>  |                     |           |               |
|  | M32                 | 514P0M32  | Ref. +443     |
|   | M40                 | 514P0M40  | Ref. +443     |
|   | M50                 | 514P0M50  | /             |
| <b>METAL HANDLE METRIC THREAD ENTRY (WITHOUT CABLE GLAND)</b> ●                     |                     |           |               |
|  | M25                 | 594P0M25  | /             |
|   | M32                 | 594P0M32  | /             |
|   | M40                 | 594P0M40  | /             |
|   | M50                 | 594P0M50  | /             |

| HANDLE  | Input/Cable outer Ø | Reference |
|---|---------------------|-----------|
| <b>METAL HANDLE WITH METAL GLAND (+ EARTHING WIRE)</b> ●                          |                     |           |
|  | 8-16 mm             | 594P025M  |
|   | 16-24 mm            | 594P032M  |
|   | 22-32 mm            | 594P040M  |
|   | 34-44 mm            | 594P050M  |

| BOXES   | △ x° | Input              | Reference |
|---|------|--------------------|-----------|
| <b>POLY BOX</b>   |      |                    |           |
|  | 30°  | M32                | 514B3M32  |
|   | 30°  | M40                | 514B3M40  |
| <b>METAL BOX (+ EARTHING WIRE)</b> ●  |      |                    |           |
|  | 20°  | M25                | 594B2M25  |
|   | 20°  | M32                | 594B2M32  |
|   | 20°  | M40                | 594B2M40  |
| <b>POLY BOX + POLY SLEEVE</b>   |      |                    |           |
|  | 70°  | Without hole       | 514C7000  |
|   | 70°  | Ø 32 mm drill hole | 514C7M32  |
| Earth bar ref. : 51AA089  | 70°  | Ø 40 mm drill hole | 514C7M40  |

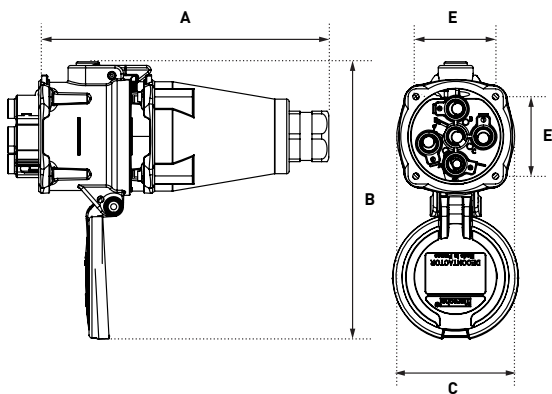
| <b>METAL BOX (+ EARTHING WIRE) + POLY SLEEVE</b>                                    |               |     |          |
|---|---------------|-----|----------|
|  | 30°           | M25 | 514C3M25 |
|   | 30°           | M32 | 514C3M32 |
|   | 30°           | M40 | 514C3M40 |
|   | 30°           | M50 | 514C3M50 |
| <b>METAL BOX (+ EARTHING WIRE) + METAL SLEEVE</b> ●                                 |               |     |          |
|  | 30°           | M25 | 594C3M25 |
|   | 30°           | M32 | 594C3M32 |
|   | 30°           | M40 | 594C3M40 |
|   | 30°           | M50 | 594C3M50 |
|  | 0° (Straight) | M25 | 594C0M25 |
|   | 0° (Straight) | M32 | 594C0M32 |
|   | 0° (Straight) | M40 | 594C0M40 |
|   | 0° (Straight) | M50 | 594C0M50 |
|  | 70°           | M25 | 594C7M25 |
|   | 70°           | M32 | 594C7M32 |
|   | 70°           | M40 | 594C7M40 |
|   | 70°           | M50 | 594C7M50 |

Cable glands are not delivered with the boxes.

| SLEEVE  | △ x°          | Reference |         |
|---|---------------|-----------|---------|
|   |               | POLY      | METAL ● |
|  | 0° (Straight) | /         | 594M0   |
|  | 30°           | 514M3     | 594M3   |
|  | 70°           | 514M7     | 594M7   |

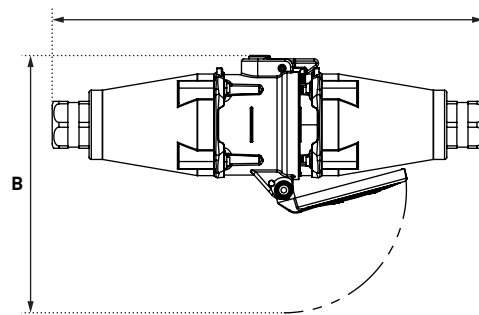
# DRAWINGS AND DIMENSIONS

PLUG ON SOCKET-OUTLET



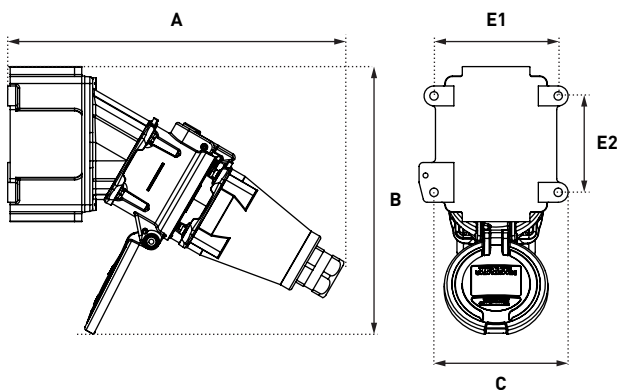
| A   | B   | C  | E  |
|-----|-----|----|----|
| 203 | 175 | 95 | 66 |

COUPLER



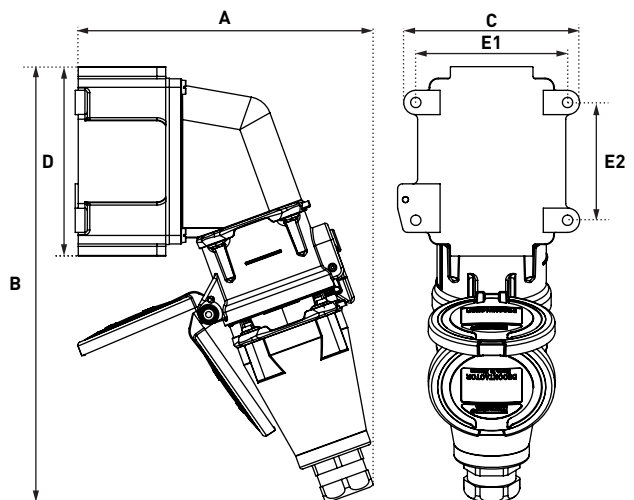
| A   | B   |
|-----|-----|
| 309 | 127 |

PLUG ON 30° WALL MOUNTED SOCKET OUTLET



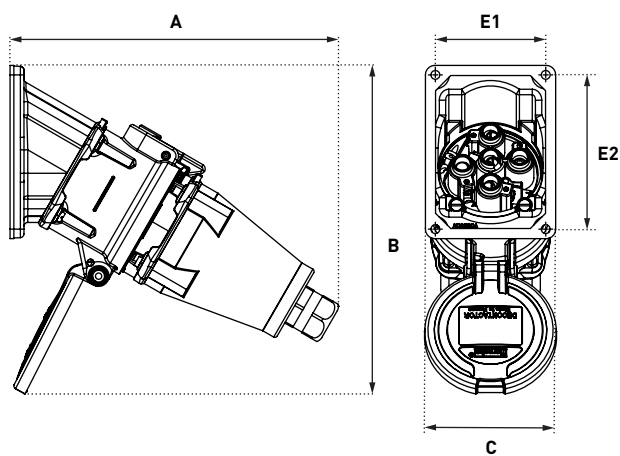
| A   | B   | C   | E1 | E2  |
|-----|-----|-----|----|-----|
| 260 | 260 | 105 | 88 | 122 |

PLUG ON 70° WALL-MOUNTED SOCKET-OUTLET



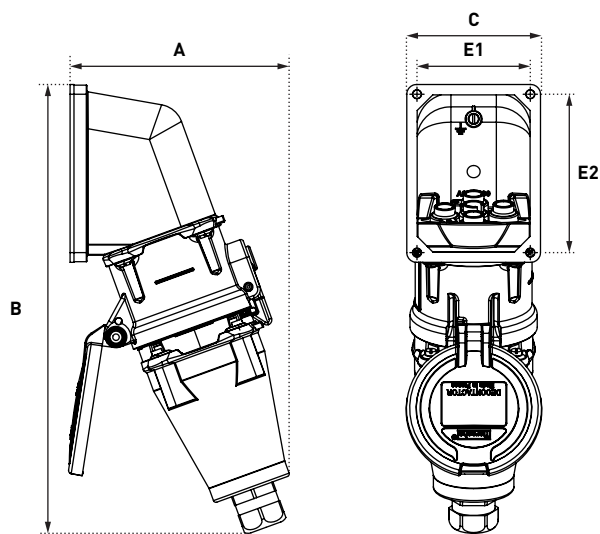
| A   | B   | C   | D   | E1  | E2  |
|-----|-----|-----|-----|-----|-----|
| 242 | 333 | 178 | 166 | 157 | 146 |

PLUG ON 30° INCLINED SOCKET-OUTLET



| A   | B   | C   | D   | E1 | E2  |
|-----|-----|-----|-----|----|-----|
| 279 | 257 | 102 | 136 | 88 | 122 |

PLUG ON 70° INCLINED SOCKET-OUTLET



| A   | B   | C   | E1 | E2 |
|-----|-----|-----|----|----|
| 169 | 346 | 104 | 88 | 88 |



# 7 CONTACTS

100 A

500 V  
U<sub>MAXI</sub>

## CONNECTOR DS7C6



IP66  
IP67



10-25 mm<sup>2</sup> (1)  
10-35 mm<sup>2</sup> (2)



GRP  
METAL



IK09



-40 °C  
+60 °C



6 AUX.



EMC  
METAL

(1) Flexible wiring (min.-max.).  
(2) Stranded wiring (min.-max.).

### OTHER FEATURES

|   |                   |
|---|-------------------|
| Terminals wiring                                  | screw-type        |
| Stranded or flexible auxiliary wiring (min.-max.) | 2 mm <sup>2</sup> |



Finger drawplates  
included



**SOCKET-OUTLET**  
female  
DS7c6



**INLET** male  
DS7c6



|                          |              |            |            |
|--------------------------|--------------|------------|------------|
| 100 A/max 500 V AC       | 6P+E         | 3164561    | 3168561    |
| Auxiliaries 10A/500 V AC | + 2 contacts | Ref. + 262 | Ref. + 262 |
| Auxiliaries 10A/500 V AC | + 4 contacts | Ref. + 264 | Ref. + 264 |
| Auxiliaries 10A/500 V AC | + 6 contacts | Ref. + 976 | Ref. + 976 |



**SOCKET-OUTLET**  
female  
DS7c6






**INLET** male  
DS7c6











|                          |              |            |            |
|--------------------------|--------------|------------|------------|
| 100 A/max 500 V AC       | 6P+E         | 3964561    | 3968561    |
| Auxiliaries 10A/500 V AC | + 2 contacts | Ref. + 262 | Ref. + 262 |
| Auxiliaries 10A/500 V AC | + 4 contacts | Ref. + 264 | Ref. + 264 |
| Auxiliaries 10A/500 V AC | + 6 contacts | Ref. + 976 | Ref. + 976 |






| OPTIONS  | Reference |
|--|-----------|
| <b>LOCKING PIN FOR 2 PADLOCKS Ø 4 TO 8 mm (PADLOCKS NOT SUPPLIED)</b>  |           |
|  Socket-outlet ref. +843  |           |
| <b>SAFETY HASP FOR UP TO 6 PADLOCKS</b>  |           |
|  399A541  |           |
| <b>LARGER RELEASE BUTTON</b>   |           |
|  Ref. socket +453   |           |
| <b>INLET CAP IP66/IP67</b>   |           |
|  316A426  |           |
| <b>IP40 SELF RETURNING LID (MANUAL CLOSING)</b>  |           |
|  Ref. socket poly + R   |           |
| <b>IP55 METAL LOCKABLE SELF-CLOSING LID FOR INLET</b>  |           |
|  396A226   |           |
| <b>ELECTROMAGNETIC COMPATIBILITY (EMC)</b> ● <b>NEW</b>  |           |
|  Please order a metal threaded accessory herewith, together with a EMC cable gland to be found on page 318. |           |

| HANDLE  | Input/<br>Cable outer Ø | Reference |
|---|-------------------------|-----------|
| <b>ELASTOMER HANDLE WITH GLAND</b>  |                         |           |
|  | 18-25 mm                | 554P0D25L |
|   | 25-35 mm                | 554P0D35L |
|   | 35-45 mm                | 554P0D45L |
|   | 45-49 mm                | 554P0D49L |
| <b>POLY HANDLE WITH GLAND</b>   |                         |           |
|  | 13-35 mm                | 514P0D35  |
| <b>POLY HANDLE + POLY CABLE GLAND</b>   |                         |           |
|  | 14-25 mm                | 514P032P  |
|   | 18-32 mm                | 514P040P  |
|   | 24-38 mm                | 514P050P  |
| <b>POLY HANDLE (WITHOUT CABLE GLAND)</b>  |                         |           |
|  | M32                     | 514P0M32  |
|   | M40                     | 514P0M40  |
|   | M50                     | 514P0M50  |
| <b>METAL HANDLE METRIC THREAD ENTRY (WITHOUT CABLE GLAND)</b> ●                     |                         |           |
|  | M25                     | 594P0M25  |
|   | M32                     | 594P0M32  |
|   | M40                     | 594P0M40  |
|   | M50                     | 594P0M50  |

| HANDLE  | Input/Cable outer Ø | Reference |
|---|---------------------|-----------|
| <b>METAL HANDLE WITH METAL GLAND (+ EARTHING WIRE)</b> ●                          |                     |           |
|  | 8-16 mm             | 594P025M  |
|   | 16-24 mm            | 594P032M  |
|   | 22-32 mm            | 594P040M  |
|   | 34-44 mm            | 594P050M  |

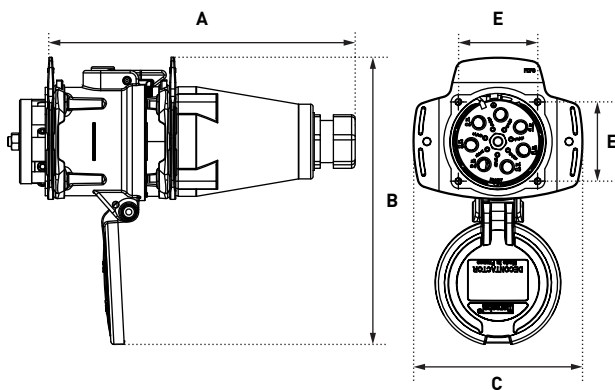
| BOXES   | ∠ x°          | Input              | Reference |
|---|---------------|--------------------|-----------|
| <b>POLY BOX</b>   |               |                    |           |
|    | 30°           | M32                | 514B3M32  |
|   | 30°           | M40                | 514B3M40  |
| <b>METAL BOX (+ EARTHING WIRE)</b> ●  |               |                    |           |
|    | 20°           | M25                | 594B2M25  |
|   | 20°           | M32                | 594B2M32  |
|   | 20°           | M40                | 594B2M40  |
| <b>POLY BOX + POLY SLEEVE</b>   |               |                    |           |
|    | 70°           | Without hole       | 514C7000  |
|   | 70°           | Ø 32 mm drill hole | 514C7M32  |
| Earth bar ref. : 51AA089  | 70°           | Ø 40 mm drill hole | 514C7M40  |
| <b>METAL BOX (+ EARTHING WIRE) + POLY SLEEVE</b>                                    |               |                    |           |
|  | 30°           | M25                | 514C3M25  |
|   | 30°           | M32                | 514C3M32  |
|   | 30°           | M40                | 514C3M40  |
|   | 30°           | M50                | 514C3M50  |
| <b>METAL BOX (+ EARTHING WIRE) + METAL SLEEVE</b> ●                                 |               |                    |           |
|  | 30°           | M25                | 594C3M25  |
|   | 30°           | M32                | 594C3M32  |
|   | 30°           | M40                | 594C3M40  |
|   | 30°           | M50                | 594C3M50  |
|  | 0° (Straight) | M25                | 594C0M25  |
|   | 0° (Straight) | M32                | 594C0M32  |
|   | 0° (Straight) | M40                | 594C0M40  |
|   | 0° (Straight) | M50                | 594C0M50  |
|  | 70°           | M25                | 594C7M25  |
|   | 70°           | M32                | 594C7M32  |
|   | 70°           | M40                | 594C7M40  |
|   | 70°           | M50                | 594C7M50  |

Cable glands are not delivered with the boxes.

| SLEEVE  | ∠ x°          | Reference |         |
|---|---------------|-----------|---------|
|   |               | POLY      | METAL ● |
|  | 0° (Straight) | /         | 594M0   |
|  | 30°           | 514M3     | 594M3   |
|  | 70°           | 514M7     | 594M7   |

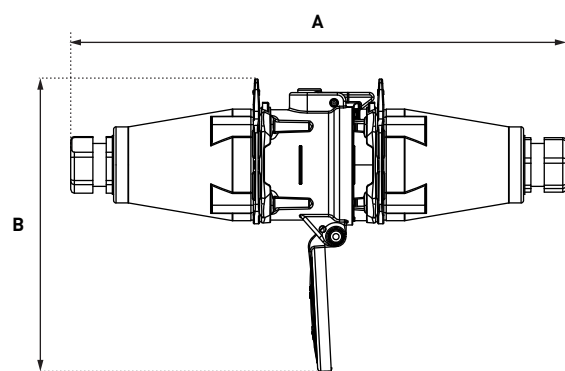
# DRAWINGS AND DIMENSIONS

PLUG ON SOCKET-OUTLET



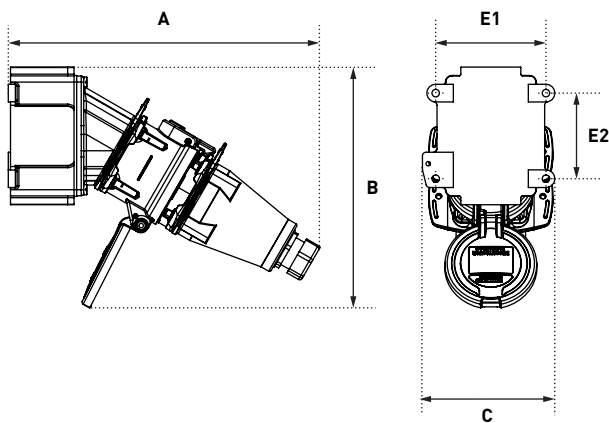
| A   | B   | C   | E  |
|-----|-----|-----|----|
| 257 | 238 | 141 | 66 |

COUPLER



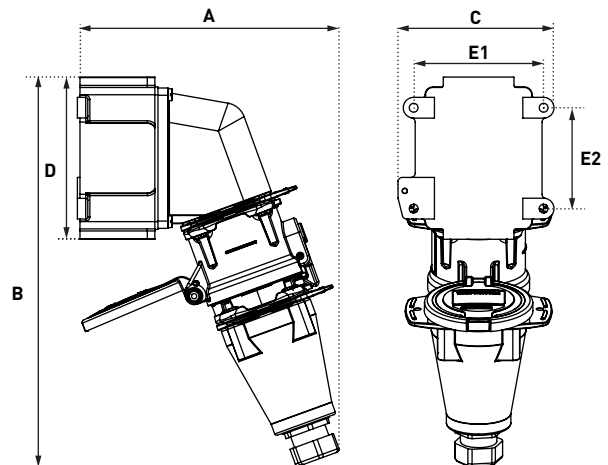
| A   | B   |
|-----|-----|
| 404 | 238 |

PLUG ON 30° WALL MOUNTED SOCKET OUTLET



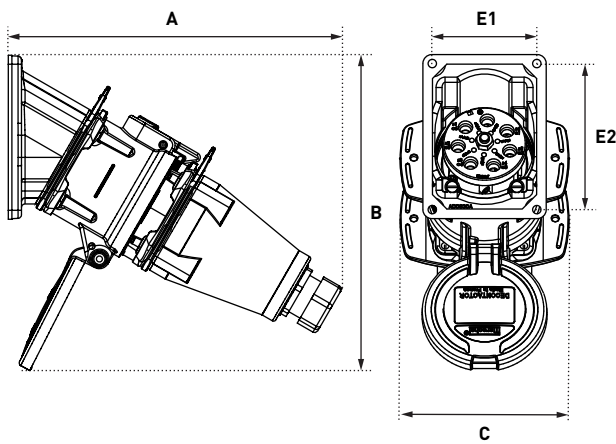
| A   | B   | C   | E1  | E2 |
|-----|-----|-----|-----|----|
| 353 | 273 | 150 | 125 | 97 |

PLUG ON 70° WALL-MOUNTED SOCKET-OUTLET



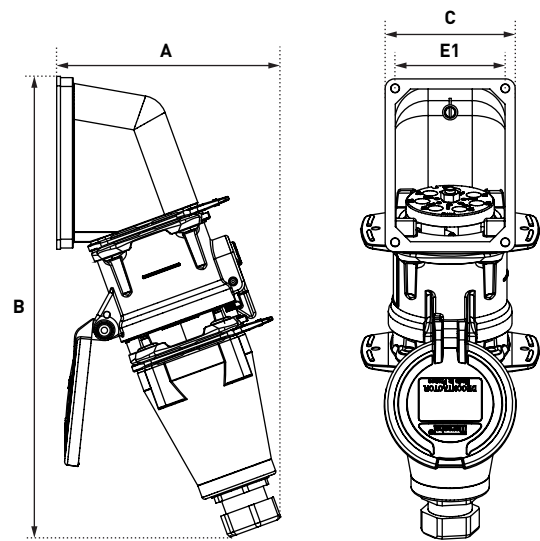
| A   | B   | C   | D   | E1  | E2 |
|-----|-----|-----|-----|-----|----|
| 252 | 374 | 145 | 156 | 125 | 97 |

PLUG ON 30° INCLINED SOCKET-OUTLET

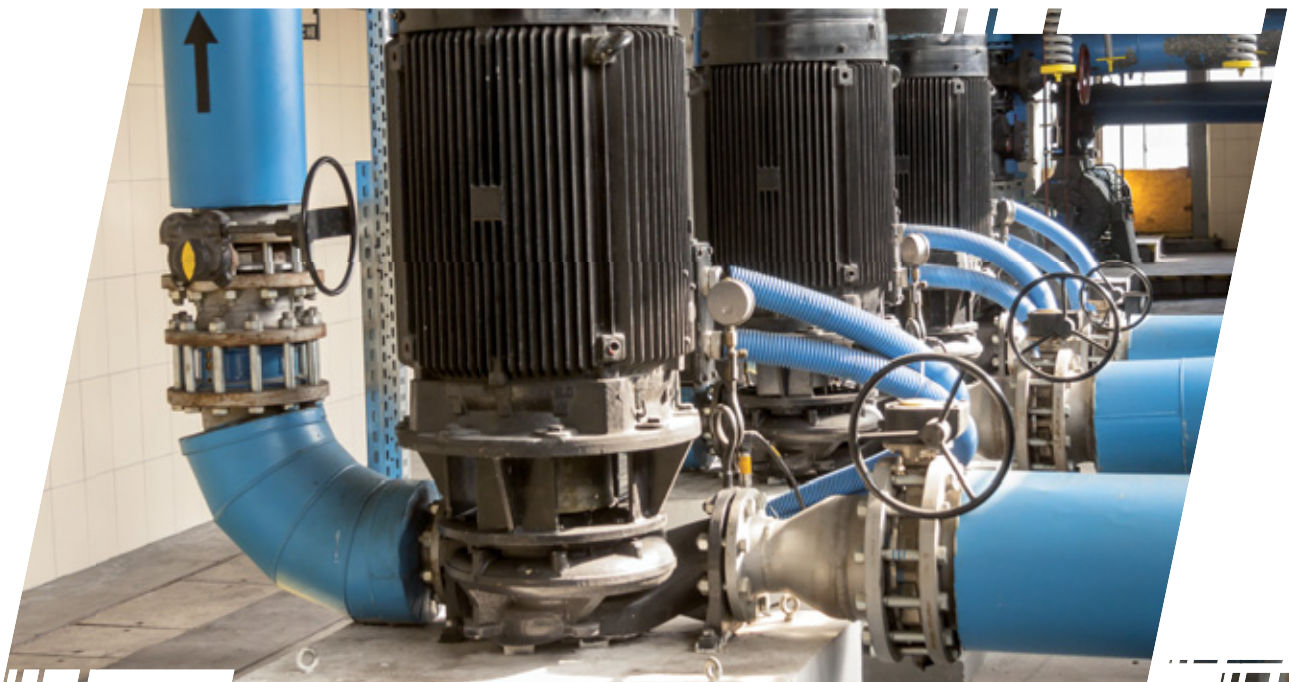


| A   | B   | C   | E1 | E2  |
|-----|-----|-----|----|-----|
| 278 | 263 | 141 | 87 | 122 |

PLUG ON 70° INCLINED SOCKET-OUTLET



| A   | B   | C   | E1 | E2  |
|-----|-----|-----|----|-----|
| 177 | 365 | 141 | 87 | 122 |



# 9 CONTACTS

30 A

415 V  
U<sub>MAXI</sub>

## MULTICONTACTS CONNECTORS DN9C



IP54  
IP55



1-6 mm<sup>2</sup> <sup>(1)</sup>  
1,5-10 mm<sup>2</sup> <sup>(2)</sup>



METAL



IK09



-40 °C  
+60 °C



EMC

<sup>(1)</sup> Flexible wiring (min.-max.).  
<sup>(2)</sup> Stranded wiring (min.-max.).

### OTHER FEATURES

|                              |            |
|------------------------------|------------|
| IP protection plug connected | IP54       |
| IP protection lid closed     | IP55       |
| ∑ of currents (contacts)     | ≤ 210 A    |
| Terminals wiring             | screw-type |

**SOCKET-OUTLET**  
female  
DN9c



**INLET** male  
DN9c



415 V AC






8P+E


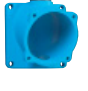




1914081

1918081



► The contacts can be assigned either power or signal.

| OPTIONS   | Reference  |
|---|--|
| <b>LOCKING PIN FOR 3 PADLOCKS Ø 4 TO 8 mm (PADLOCKS NOT SUPPLIED)</b>               |  |
|    | Ref. + 844   |
| <b>LARGER RELEASE BUTTON</b>  |  |
|    | Ref. socket + 453  |
| <b>INLET CAP</b>  |  |
|    | 191A126  |
| <b>180° OPENING LID</b>   |  |
|    | Ref. socket + 10   |
| <b>IP40 SELF RETURNING LID (MANUAL CLOSING)</b>                                     |  |
|    | Socket-outlet ref.+R   |
| <b>180° OPENING + SELF-RETURNING LID</b>  |  |
|    | Ref. socket + 18   |
| <b>IP66/IP67 SOCKET-OUTLET AND INLET</b>  |  |
|    | Ref. + 600   |
| <b>ELECTROMAGNETIC COMPATIBILITY (EMC)</b> ●  | <b>NEW</b>   |
|  | Please order a metal threaded accessory herewith, together with a EMC cable gland to be found on page 318.   |
| <b>PRODUCT WITH ANTI-BACTERIAL TREATMENT</b> ●                                      | <b>NEW</b>   |
|   | This sticker means that the product is also available with an antibacterial treatment. Add the suffix AG to the reference. For more information on anti-bacterial treated handles please consult us. |

| HANDLE  | Input/<br>Cable outer Ø | Ref.     |
|---|-------------------------|----------|
| <b>POLY HANDLE WITH GLAND</b> ●   |                         |          |
|  | 10-30 mm                | 513P0D30 |
| <b>POLY HANDLE + POLY CABLE GLAND</b> ●   |                         |          |
|  | 9-18 mm                 | 513P025P |
|   | 14-25 mm                | 513P032P |
|   | 18-32 mm                | 513P040P |
| <b>METAL HANDLE WITH METAL GLAND (+ EARTHING WIRE)</b>                              |                         |          |
|  | 7-13 mm                 | 593P020M |
|   | 8-16 mm                 | 593P025M |
|   | 16-24 mm                | 593P032M |
|   | 22-32 mm                | 593P040M |
| <b>POLY HANDLE (WITHOUT CABLE GLAND)</b>  |                         |          |
|  | M20                     | 513P0M20 |
|   | M25                     | 513P0M25 |
|   | M32                     | 513P0M32 |
|   | M40                     | 513P0M40 |
| <b>METAL HANDLE METRIC THREAD ENTRY (WITHOUT CABLE GLAND)</b> ●                     |                         |          |
|  | M20                     | 593P0M20 |
|   | M25                     | 593P0M25 |
|   | M32                     | 593P0M32 |
|   | M40                     | 593P0M40 |

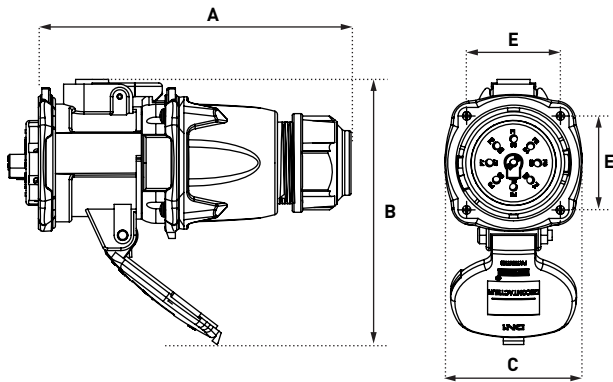
| BOÎTIERS  | ∠x°           | Input              | Ref.     |
|---|---------------|--------------------|----------|
| <b>POLY BOX</b>   |               |                    |          |
|    | 30°           | M25                | 513B3M25 |
| <b>METAL BOX (+ EARTHING WIRE)</b> ●  |               |                    |          |
|    | 20°           | M20                | 593B2M20 |
|   | 20°           | M25                | 593B2M25 |
|   | 20°           | M32                | 593B2M32 |
| <b>POLY BOX + POLY SLEEVE</b>   |               |                    |          |
|    | 70°           | Without hole       | 513C7000 |
|   | 70°           | Ø 25 mm drill hole | 513C7M25 |
|   | 70°           | Ø 32 mm drill hole | 513C7M32 |
|   | 70°           | Ø 40 mm drill hole | 513C7M40 |
| Earth bar ref. :<br>51AA089   |               |                    |          |
| <b>METAL BOX (+ EARTHING WIRE) + POLY SLEEVE</b>                                    |               |                    |          |
|    | 30°           | M20                | 513C3M20 |
|   | 30°           | M25                | 513C3M25 |
|   | 30°           | M32                | 513C3M32 |
|   | 30°           | M40                | 513C3M40 |
| <b>METAL BOX (+ EARTHING WIRE) + METAL SLEEVE</b> ●                                 |               |                    |          |
|  | 30°           | M20                | 593C3M20 |
|   | 30°           | M25                | 593C3M25 |
|   | 30°           | M32                | 593C3M32 |
|   | 30°           | M40                | 593C3M40 |
|   | 0° (Straight) | M20                | 593C0M20 |
|   | 0° (Straight) | M25                | 593C0M25 |
|   | 0° (Straight) | M32                | 593C0M32 |
|   | 0° (Straight) | M40                | 593C0M40 |
|  | 70°           | M20                | 593C7M20 |
|   | 70°           | M25                | 593C7M25 |
|   | 70°           | M32                | 593C7M32 |
|   | 70°           | M40                | 593C7M40 |

Cable glands are not delivered with the boxes.

| SLEEVE  | ∠x°           | Ref.  |
|---|---------------|-------|
| <b>POLY SLEEVE</b>  |               |       |
|  | 30°           | 513M3 |
|  | 70°           | 513M7 |
| <b>METAL SLEEVE</b> ●   |               |       |
|  | 0° (Straight) | 593M0 |
|  | 30°           | 593M3 |
|  | 70°           | 593M7 |

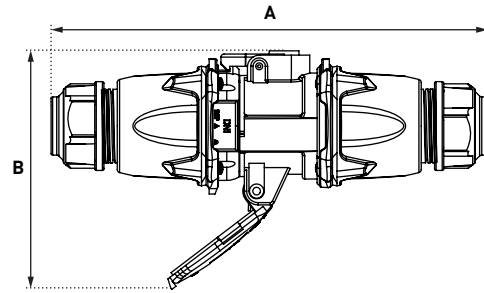
# DRAWINGS AND DIMENSIONS

PLUG ON SOCKET-OUTLET



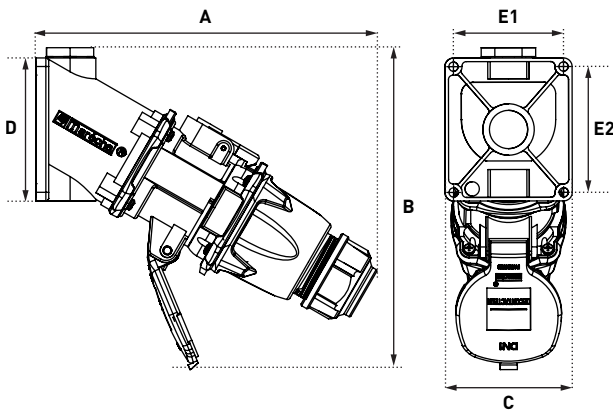
| A   | B   | C  | E  |
|-----|-----|----|----|
| 184 | 156 | 80 | 55 |

COUPLER



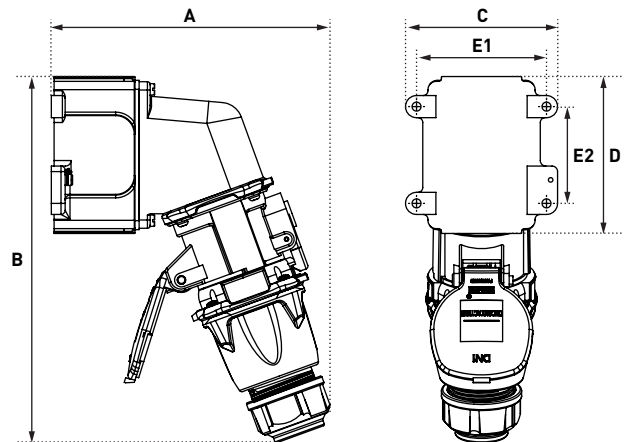
| A   | B   |
|-----|-----|
| 285 | 156 |

PLUG ON 30° WALL MOUNTED SOCKET OUTLET



| A   | B   | C  | D   | E1 | E2 |
|-----|-----|----|-----|----|----|
| 239 | 218 | 89 | 100 | 77 | 88 |

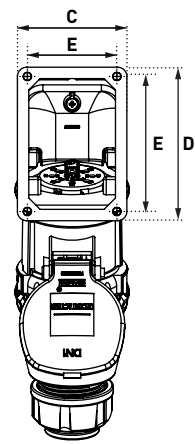
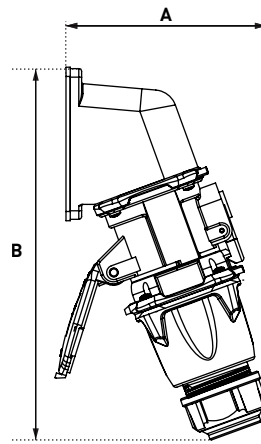
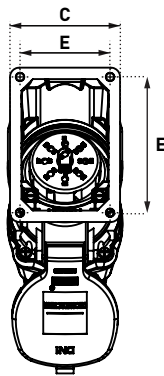
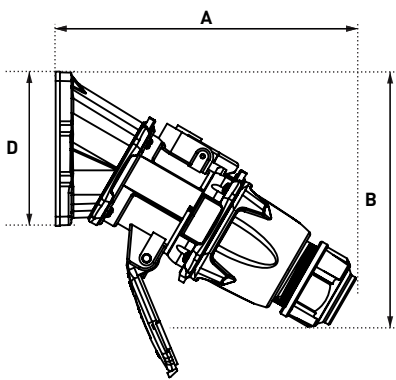
PLUG ON 70° WALL-MOUNTED SOCKET-OUTLET



| A   | B   | C   | D   | E1 | E2 |
|-----|-----|-----|-----|----|----|
| 200 | 265 | 110 | 114 | 94 | 70 |

PLUG ON 30° INCLINED SOCKET-OUTLET

PLUG ON 70° INCLINED SOCKET-OUTLET



| A   | B   | C  | D   | E1 | E2 |
|-----|-----|----|-----|----|----|
| 210 | 176 | 77 | 108 | 63 | 95 |

| A   | B   | C  | D   | E1 | E2 |
|-----|-----|----|-----|----|----|
| 141 | 262 | 77 | 108 | 63 | 95 |



# 12 CONTACTS

16 A

480 V  
U<sub>MAXI</sub>

## MULTICONTACT CONNECTORS PN12C



IP66  
IP67



1-2,5 mm<sup>2</sup> (1)



GRP  
METAL



IK09



-40 °C  
+60 °C



EMC  
METAL

(1) Flexible wiring (min.-max.).

### OTHER FEATURES

|                           |   |
|---------------------------|---|
| Impulse withstand voltage | 5 kV  |
| Contact resistance        | < 2 mΩ  |
| Permitted current range   | 4-20 mA/16 A  |
| ∑ of currents (contacts)  | ≤ 110 A   |
| Terminals wiring          | To weld/crimp   |
| Butt contacts             | Silver-nickel tips  |
| Contact protection        | Silvering   |
| Load cycles               | > 5000 cycles   |
| Vibrations                | Frequency 5-1000 Hz, 1g/(90 minutes on each critical frequency) according to IEC 6068-2-6 |



For a black colour GRP housing replace the second reference character with 5 (GRP version only).

### SOCKET-OUTLET

female  
PN12C



INLET male  
PN12C



GRP devices are not compatible with metal devices.

|       |          |             |         |         |
|-------|----------|-------------|---------|---------|
| POLY  | 480 V AC | 12 contacts | 01A4001 | 01A8001 |
| METAL | 480 V AC | 12 contacts | 09A4001 | 09A8001 |

► Each product is supplied with 1 bag of 13 contacts, supplied with insulation sleeves and ferrules (see p.142 or the accessories page for more details).



| OPTIONS  | Reference                             |
|--|---------------------------------------|
| <b>LOCKING OPTION FOR 1 PADLOCKS Ø 4mm (PADLOCK NOT SUPPLIED)</b>  |                                       |
|   | Ref. + 843                            |
| <b>SCREW LOCKING IMPRINT BTR 2,5</b>   |                                       |
|   | Ref. + 22                             |
| <b>INLET CAP IP66/IP67</b>   |                                       |
|   | 01NA426                               |
| <b>REVERSED INTERIOR AND CONTACTS</b>  |                                       |
|  The connector is supplied with a rubber inlet cap. | Ref. conn. + 001<br>Ref. socket + 001 |
| <b>180° OPENING LID</b>  |                                       |
|   | Ref. socket + 10                      |
| <b>IP40 SELF RETURNING LID (MANUAL CLOSING)</b>  |                                       |
|   | Socket-outlet<br>ref.+R               |
| <b>180° OPENING + SELF-RETURNING LID</b>   |                                       |
|   | Ref. socket + 18                      |

**ELECTROMAGNETIC COMPATIBILITY (EMC)**

NEW



Please order a metal threaded accessory herewith, together with a EMC cable gland to be found on page 318.

**BAG OF 13 FEMALES CONTACTS**

01AA213

**BAG OF 13 MALES CONTACTS**

01AA113






**PRODUCTS AVAILABLE IN BLACK**



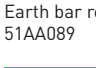


The black dot means these products are also available in black color. Replace the second character of the product reference with 5

**PRODUCT WITH ANTI-BACTERIAL TREATMENT**
















NEW

This sticker means that the product is also available with an antibacterial treatment. Add the suffix AG to the reference. For more information on anti-bacterial treated handles please consult us.

| SLEEVE  | Reference |
|---|-----------|
| <b>POLY SLEEVE</b>  |           |
|  30°           | 511M3     |
|  70°           | 511M7     |
| <b>METAL SLEEVE</b>   |           |
|  0° (Straight) | 591M0     |
|  30°           | 591M3     |
|  45°           | 591M4     |

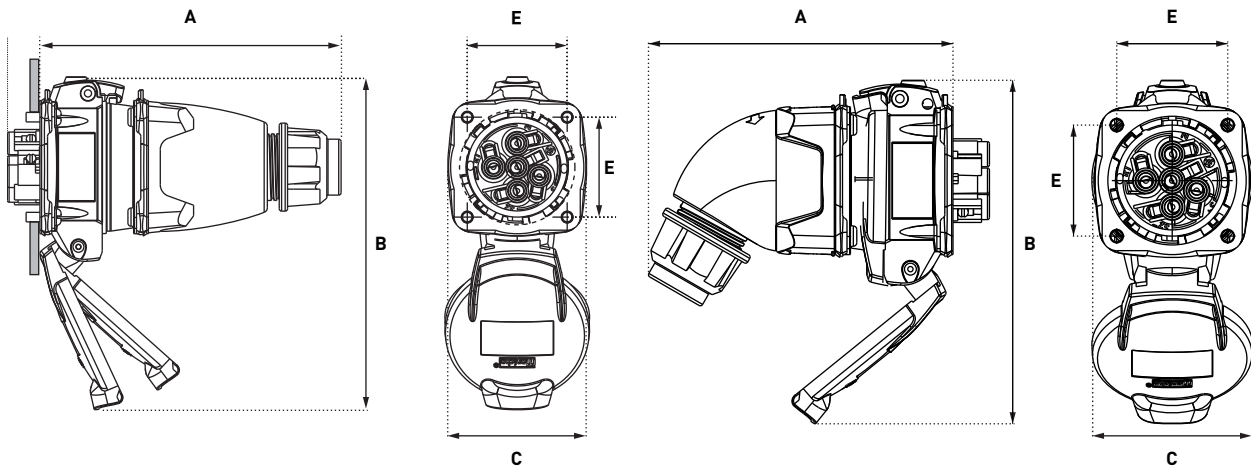
| BOXES  | Input | Ref.     |
|--|-------|----------|
| <b>POLY BOX</b>  |       |          |
|  0° (Straight)    | M20   | 511B0M20 |
|  0° (Straight)    | M25   | 511B0M25 |
|  30°              | M20   | 511B3M20 |
|  30°              | M25   | 511B3M25 |
| <b>POLY BOX + POLY SLEEVE</b>  |       |          |
|  70° Without hole |       | 511C7000 |
|  70° Hole Ø 20    |       | 511C7M20 |
|  70° Hole Ø 25    |       | 511C7M25 |
|  70° Hole Ø 32    |       | 511C7M32 |
| Earth bar ref. : 51AA089   |       |          |
| <b>METAL BOX (+ EARTHING WIRE) + POLY SLEEVE</b>   |       |          |
|  30°              | M20   | 511C3M20 |
| <b>METAL BOX (+ EARTHING WIRE) + METAL SLEEVE</b>  |       |          |
|  45°            | M20   | 591C4M20 |
|  45°            | M25   | 591C4M25 |
|  45°            | M32   | 591C4M32 |

Cable glands are not delivered with the boxes.

| HANDLE  | Input/<br>Cable outer Ø | Ref.     |
|---|-------------------------|----------|
| <b>POLY HANDLE WITH GLAND</b>   |                         |          |
|  9-18 mm     |                         | 511P0D18 |
|  5-21 mm     |                         | 511P0D21 |
|  60° 9-18 mm |                         | 511P6D18 |
| <b>POLY HANDLE + POLY CABLE GLAND</b>   |                         |          |
|  5-12 mm     |                         | 511P020P |
|  9-18 mm     |                         | 511P025P |
|  14-25 mm    |                         | 511P032P |
| <b>METAL HANDLE WITH METAL GLAND (+ EARTHING WIRE)</b>  |                         |          |
|  7-13 mm     |                         | 591P020M |
|  8-16 mm     |                         | 591P025M |
|  16-24 mm    |                         | 591P032M |
| <b>POLY HANDLE (WITHOUT CABLE GLAND)</b>  |                         |          |
|  M20         |                         | 511P0M20 |
|  M25         |                         | 511P0M25 |
|  M32         |                         | 511P0M32 |
| <b>METAL HANDLE METRIC THREAD ENTRY (WITHOUT CABLE GLAND)</b>                                   |                         |          |
|  M20         |                         | 591P0M20 |
|  M25         |                         | 591P0M25 |
|  M32         |                         | 591P0M32 |

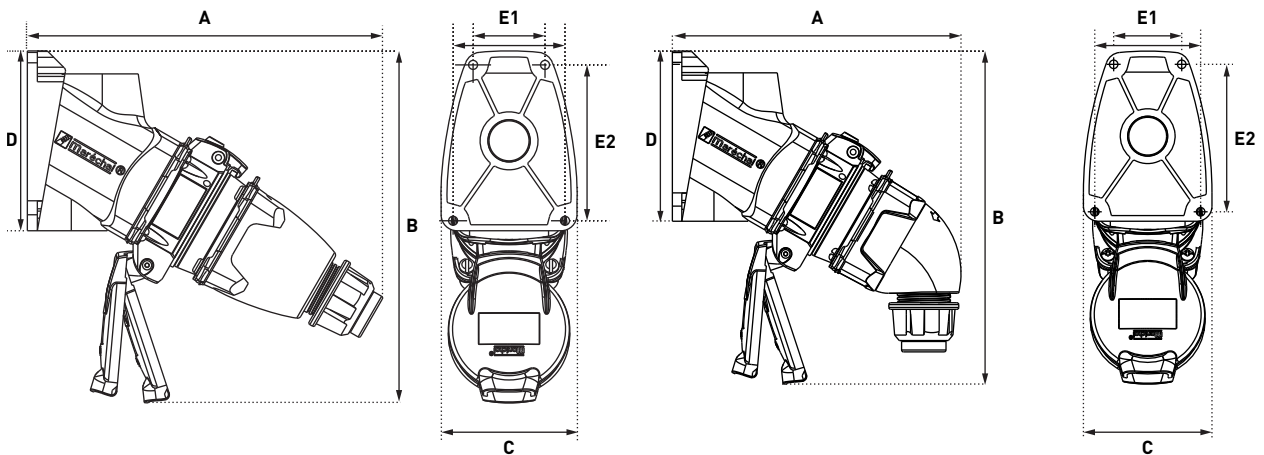
# DRAWINGS AND DIMENSIONS

## PLUG ON SOCKET-OUTLET



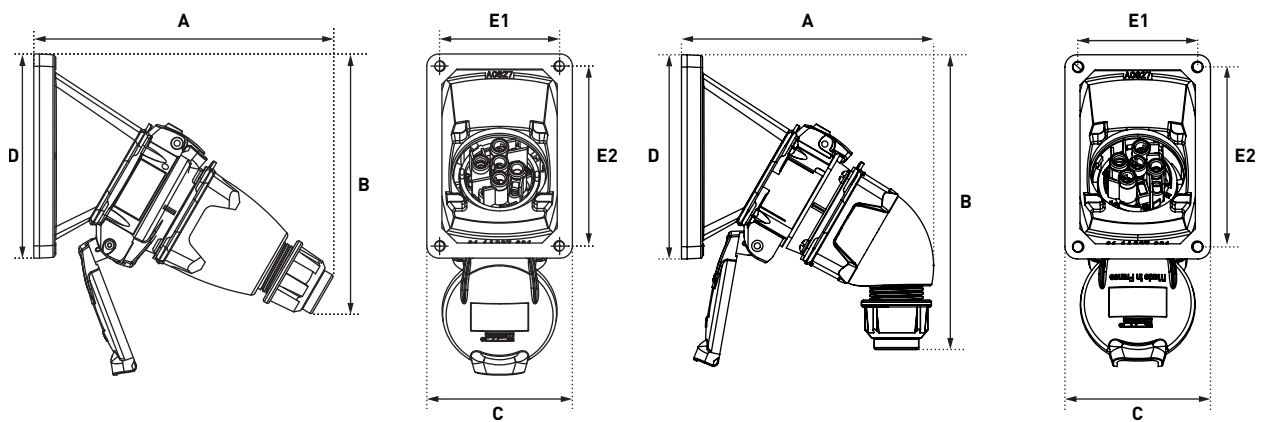
|                        | A   | B   | C  | E  |
|------------------------|-----|-----|----|----|
| <b>Straight handle</b> | 127 | 140 | 58 | 42 |
| <b>Angled handle</b>   | 117 | 138 | 61 | 42 |

## PLUG ON 30° WALL MOUNTED SOCKET OUTLET



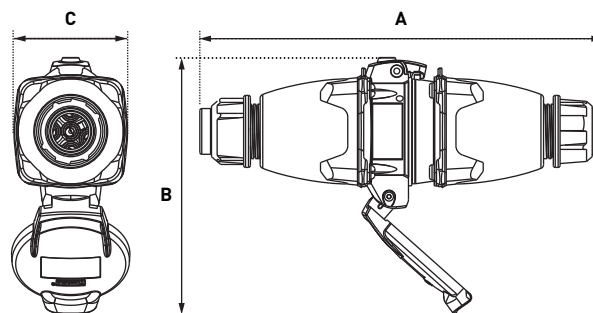
|                        | A   | B   | B  | D  | E1    | E2 |
|------------------------|-----|-----|----|----|-------|----|
| <b>Straight handle</b> | 178 | 176 | 68 | 90 | 36/56 | 78 |
| <b>Angled handle</b>   | 153 | 176 | 68 | 90 | 36/56 | 78 |

PLUG ON 30° INCLINED SOCKET-OUTLET



|                        | A   | B   | C  | D   | E1 | E2 |
|------------------------|-----|-----|----|-----|----|----|
| <b>Straight handle</b> | 160 | 170 | 77 | 108 | 63 | 95 |
| <b>Angled handle</b>   | 133 | 165 | 77 | 108 | 63 | 95 |

COUPLER



|                        | A   | B   | C  |
|------------------------|-----|-----|----|
| <b>Straight handle</b> | 208 | 132 | 58 |

# 12 CONTACTS

16 A

480 V  
U<sub>MAXI</sub>

## MULTICONTACT CONNECTORS DSN12C



IP66  
IP67  
IP69



1-2,5 mm<sup>2</sup> (1)



GRP



IK09



-40 °C  
+60 °C

(1) Flexible wiring (min.-max.).

### OTHER FEATURES

|                           |   |
|---------------------------|---|
| Impulse withstand voltage | 5 kV  |
| Contact resistance        | < 2 mΩ  |
| Permitted current range   | 4-20 mA/16 A  |
| ∑ des courants (contacts) | ≤ 110 A   |
| Terminals wiring          | To weld/crimp   |
| Butt contacts             | Silver-nickel tips  |
| Contact protection        | Silvering   |
| Load cycles               | > 5000 cycles   |
| Vibrations                | Frequency 5-1000 Hz, 1g/(90 minutes on each critical frequency) according to IEC 6068-2-6 |

### SOCKET-OUTLET

female  
DSN12C



INLET male  
DSN12C



For a black colour housing replace the second reference character with 5.









480 V AC

12 contacts

61A4001

61A8001





► Each product is supplied with 1 bag of 13 contacts, supplied with insulation sleeves and ferrules (voir p. 142 or the accessories page for more details).

| OPTIONS   | Reference               |
|---|-------------------------|
| <b>LOCKING PIN FOR 2 PADLOCKS Ø 4 TO 8 mm<br/>(PADLOCK NOT SUPPLIED)</b>            |                         |
|    | Ref. + 843              |
| <b>LARGER RELEASE BUTTON</b>  |                         |
|    | Ref. socket<br>+ 453    |
| <b>IN-LINE CONNECTIONS<br/>(A PAIR OF FINGER DRAW PLATES TO AID CLOSING)</b>        |                         |
|    | 611A346                 |
| <b>INLET CAP IP66/IP67</b>  |                         |
|    | 611A426                 |
| <b>IP40 SELF RETURNING LID<br/>(MANUAL CLOSING)</b>                                 |                         |
|    | Socket-outlet<br>ref.+R |
| <b>SELF-EJECTION</b>  |                         |
|    | See page 192            |
| <b>BAG OF 13 FEMALES CONTACTS</b>   |                         |
|  | 01AA213                 |
| <b>BAG OF 13 MALES CONTACTS</b>   |                         |
|  | 01AA113                 |
| <b>PRODUCTS AVAILABLE IN BLACK ●</b>  |                         |

The black dot means these products are also available in black color. Replace the second character of the product reference with 5

**PRODUCT WITH ANTI-BACTERIAL TREATMENT ●** NEW

This sticker means that the product is also available with an antibacterial treatment. Add the suffix AG to the reference. For more information on anti-bacterial treated handles please consult us.

| SLEEVE  | $\angle x^\circ$ | Reference |
|---|------------------|-----------|
| <b>POLY SLEEVE ●</b>  |                  |           |
|  | 30°              | 511M3     |
|  | 70°              | 511M7     |
| <b>METAL SLEEVE</b>   |                  |           |
|  | 0° (Straight)    | 591M0     |
|  | 30°              | 591M3     |

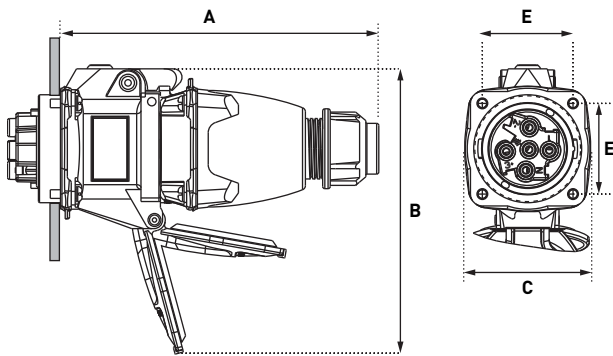
| BOXES   | $\angle x^\circ$ | Input        | Reference |
|---|------------------|--------------|-----------|
| <b>POLY BOX ●</b>   |                  |              |           |
|  | 30°              | M20          | 511B3M20  |
|   | 30°              | M25          | 511B3M25  |
| <b>POLY BOX + POLY SLEEVE<br/>(BLACK VERSION SEE ACCESSORIES DXN1 PAGE 239)</b>   |                  |              |           |
|   | 70°              | Without hole | 511C7000  |
|  | 70°              | Hole Ø 20    | 511C7M20  |
| Earth bar ref. :<br>51AA089   | 70°              | Hole Ø 25    | 511C7M25  |
|   | 70°              | Hole Ø 32    | 511C7M32  |
| <b>METAL BOX (+ EARTHING WIRE) + POLY SLEEVE</b>                                  |                  |              |           |
|  | 30°              | M20          | 511C3M20  |

Cable glands are not delivered with the boxes.

| HANDLE  | Input/<br>Cable outer Ø | Reference | Self-ejection           |
|---|-------------------------|-----------|-------------------------|
| <b>POLY HANDLE WITH GLAND ●●</b>  |                         |           |                         |
|  | 9-18 mm                 | 511P0D18  | /                       |
|  | 5-21 mm                 | 511P0D21  | /                       |
|  | 60°<br>9-18 mm          | 511P6D18  | /                       |
| <b>POLY HANDLE + POLY CABLE GLAND ●●</b>  |                         |           |                         |
|   | 5-12 mm                 | 511P020P  | Ref. +443<br>(10-14 mm) |
|  | 9-18 mm                 | 511P025P  | Ref. +443<br>(12-18 mm) |
|   | 14-25 mm                | 511P032P  | Ref. +443               |
| <b>POLY HANDLE (WITHOUT CABLE GLAND) ●</b>  |                         |           |                         |
|   | M20                     | 511P0M20  | /                       |
|  | M25                     | 511P0M25  | /                       |
|   | M32                     | 511P0M32  | /                       |

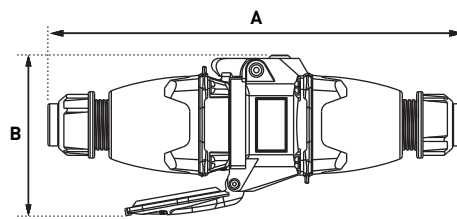
# DRAWINGS AND DIMENSIONS

PLUG ON SOCKET-OUTLET



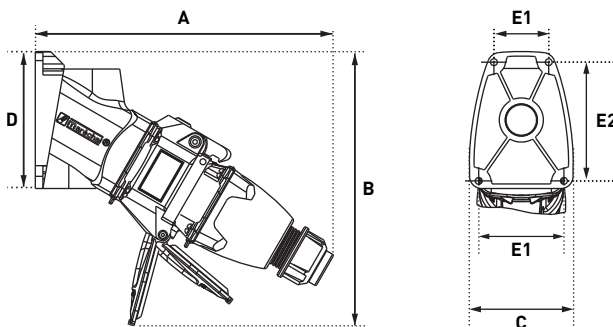
| A   | B   | C  | E  |
|-----|-----|----|----|
| 147 | 134 | 58 | 42 |

COUPLER



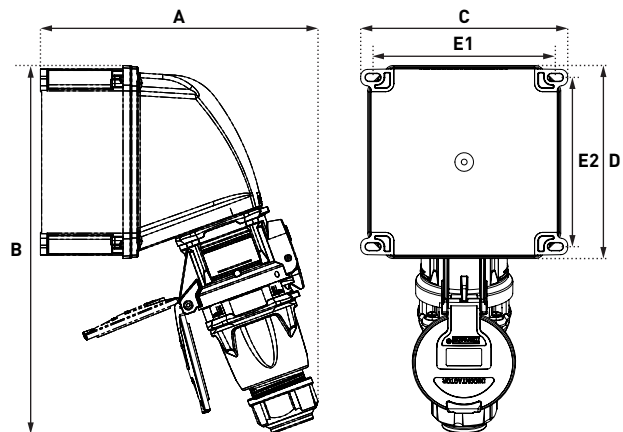
| A   | B  |
|-----|----|
| 231 | 89 |

PLUG ON 30° WALL MOUNTED SOCKET OUTLET



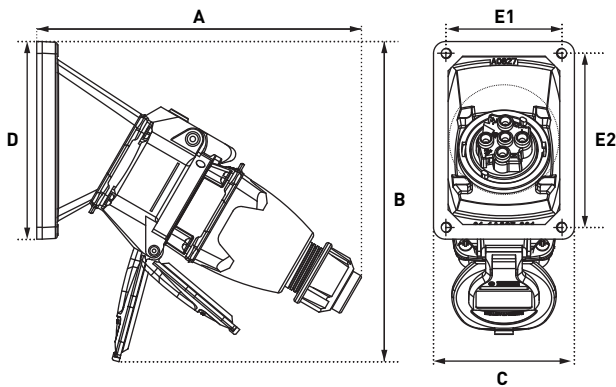
| A   | B   | C  | D  | E1    | E2 |
|-----|-----|----|----|-------|----|
| 196 | 180 | 68 | 90 | 36/56 | 78 |

PLUG ON 70° WALL-MOUNTED SOCKET-OUTLET

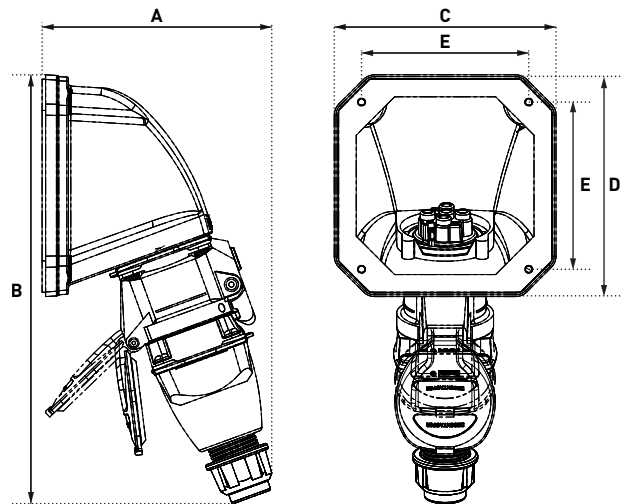


| A   | B   | C   | D   | E1  | E2    |
|-----|-----|-----|-----|-----|-------|
| 200 | 244 | 138 | 126 | 117 | 105.5 |

PLUG ON 30° INCLINED SOCKET-OUTLET

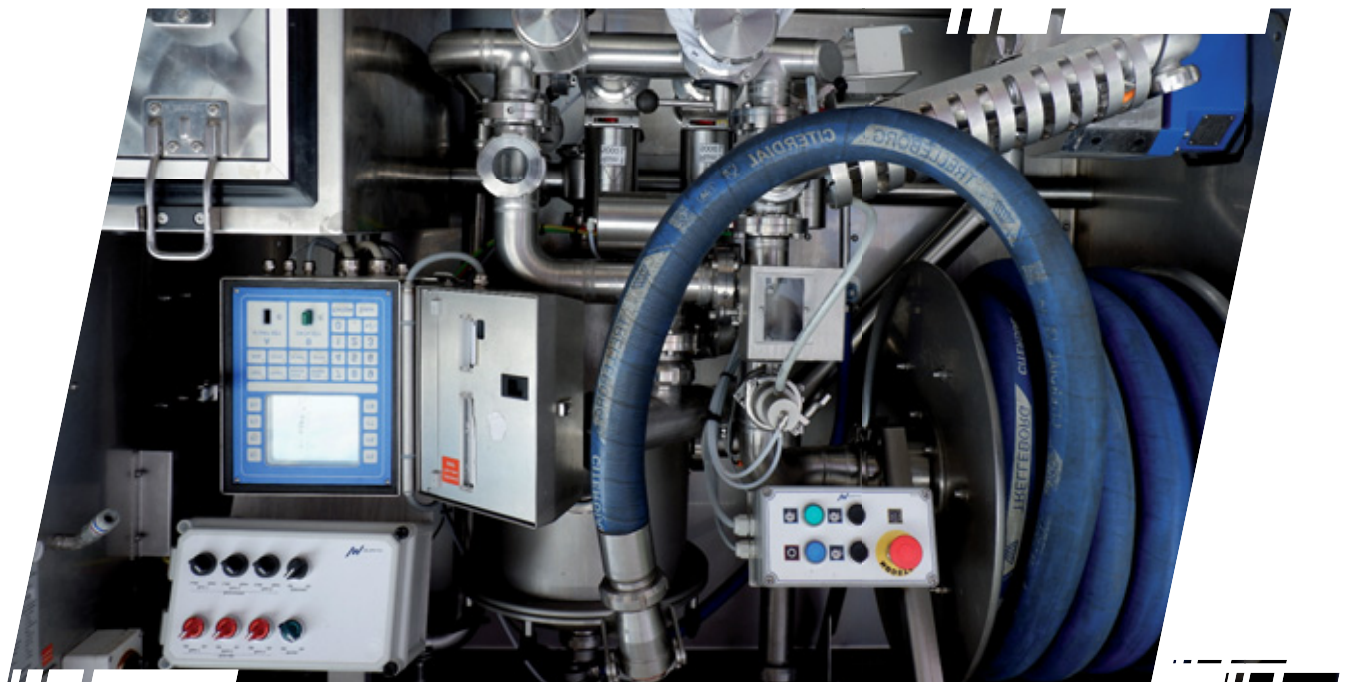


PLUG ON 70° INCLINED SOCKET-OUTLET



| A   | B   | C  | D   | E1   | E2 |
|-----|-----|----|-----|------|----|
| 177 | 175 | 77 | 108 | 63.5 | 95 |

| A   | B   | C   | D   | E  |
|-----|-----|-----|-----|----|
| 131 | 244 | 126 | 126 | 95 |



# 20 CONTACTS

25 A

415 V  
U<sub>MAXI</sub>

## MULTICONTACT CONNECTORS DN20C



IP54  
IP55



1-6 mm<sup>2</sup> <sup>(1)</sup>  
1,5-10 mm<sup>2</sup> <sup>(2)</sup>



METAL



IK09



-40 °C  
+60 °C



EMC

[1] Flexible wiring (min.-max.).  
[2] Stranded wiring (min.-max.).

### OTHER FEATURES

|                              |            |
|------------------------------|------------|
| IP protection plug connected | IP54       |
| IP protection lid closed     | IP55       |
| ∑ of currents (contacts)     | ≤ 350 A    |
| Terminals wiring             | screw-type |

**SOCKET-OUTLET**  
female  
**DN20c (25 A)**



**INLET** male  
**DN20c (25 A)**



415 V AC

19P+E


1964191


1968191





| OPTIONS   | Reference  |
|---|--|
| <b>LOCKING PIN FOR 3 PADLOCKS Ø 8 mm (PADLOCKS NOT SUPPLIED)</b>                    |  |
|    | Ref. + 844   |
| <b>LARGER RELEASE BUTTON</b>  |  |
|    | Ref. socket + 453  |
| <b>INLET CAP</b>  |  |
|    | 196A126  |
| <b>180° OPENING LID</b>   |  |
|    | Ref. socket + 10   |
| <b>IP40 SELF RETURNING LID (MANUAL CLOSING)</b>                                     |  |
|    | Socket-outlet ref.+R   |
| <b>180° OPENING + SELF-RETURNING LID</b>  |  |
|    | Ref. socket + 18   |
| <b>CLOSING MECHANISM</b>  |  |
|   | Draw lever only 196A376<br>Draw plate only 196A396   |
| <b>IP66/IP67 SOCKET-OUTLET AND INLET</b>  |  |
|  | Ref. + 600   |
| <b>ELECTROMAGNETIC COMPATIBILITY (EMC)</b> ●  | <b>NEW</b>   |
|  | Please order a metal threaded accessory herewith, together with a EMC cable gland to be found on page 318.   |
| <b>PRODUCT WITH ANTI-BACTERIAL TREATMENT</b> ●                                      | <b>NEW</b>   |
|   | This sticker means that the product is also available with an antibacterial treatment. Add the suffix AG to the reference. For more information on anti-bacterial treated handles please consult us. |

| HANDLE  | Input/<br>Cable outer Ø | Reference |
|---|-------------------------|-----------|
| <b>ELASTOMER HANDLE WITH GLAND</b>  |                         |           |
|  | 18-25 mm                | 555P0D25  |
|   | 25-35 mm                | 555P0D35  |
|   | 35-45 mm                | 555P0D45  |
|   | 45-49 mm                | 555P0D49  |
| <b>POLY HANDLE + POLY CABLE GLAND</b> ●   |                         |           |
|  | 14-25 mm                | 515P032P  |
|   | 18-32 mm                | 515P040P  |
|   | 24-38 mm                | 515P050P  |
|   | 35-48 mm                | 515P063P  |
| <b>METAL HANDLE WITH METAL GLAND (+ EARTHING WIRE)</b>                              |                         |           |
|  | 16-24 mm                | 595P032M  |
|   | 22-32 mm                | 595P040M  |
|   | 34-44 mm                | 595P050M  |
|   | 35-48 mm                | 595P063M  |
| <b>POLY HANDLE (WITHOUT CABLE GLAND)</b>  |                         |           |
|  | M50                     | 515P0M50  |
|   | M63                     | 515P0M63  |



| HANDLE  | Input/<br>Cable outer Ø | Reference |
|---|-------------------------|-----------|
| <b>METAL HANDLE METRIC THREAD ENTRY (WITHOUT CABLE GLAND)</b> ●                   |                         |           |
|  | M32                     | 595P0M32  |
|   | M40                     | 595P0M40  |
|   | M50                     | 595P0M50  |
|   | M63                     | 595P0M63  |

| BOXES   | ∠x° | Input | Reference |
|---|-----|-------|-----------|
| <b>METAL BOX (+ EARTHING WIRE) + POLY SLEEVE</b>                                  |     |       |           |
|  | 30° | M32   | 515C3M32  |
|   | 30° | M40   | 515C3M40  |
|   | 30° | M50   | 515C3M50  |
|   | 30° | M63   | 515C3M63  |

| BOXES   | ∠x°           | Input | Reference |
|---|---------------|-------|-----------|
| <b>METAL BOX (+ EARTHING WIRE) + METAL SLEEVE</b> ●                                 |               |       |           |
|    | 30°           | M32   | 595C3M32  |
|   | 30°           | M40   | 595C3M40  |
|   | 30°           | M50   | 595C3M50  |
|   | 30°           | M63   | 595C3M63  |
|   | 0° (Straight) | M32   | 595C0M32  |
|   | 0° (Straight) | M40   | 595C0M40  |
|   | 0° (Straight) | M50   | 595C0M50  |
|   | 0° (Straight) | M63   | 595C0M63  |
|  | 70°           | M32   | 595C7M32  |
|   | 70°           | M40   | 595C7M40  |
|   | 70°           | M50   | 595C7M50  |
|   | 70°           | M63   | 595C7M63  |

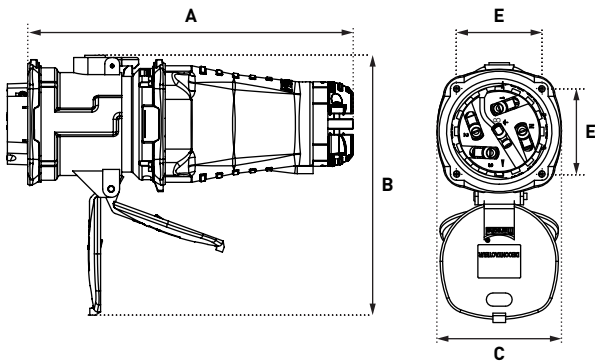
| BOXES   | ∠x°           | Input | Reference |
|---|---------------|-------|-----------|
| <b>METAL BOX (+ EARTHING WIRE) + METAL SLEEVE + CORNET</b> ●                        |               |       |           |
|  | 0° (Straight) | M50   | 595E0M50  |
|   | 30°           | M50   | 595E3M50  |
|   | 30°           | M63   | 595E3M63  |
|  | 70°           | M50   | 595E7M50  |
|   | 70°           | M63   | 595E7M63  |

Cable glands are not delivered with the boxes.

| SLEEVE  | ∠x°           | Reference |
|---|---------------|-----------|
| <b>POLY SLEEVE</b>  |               |           |
|  | 30°           | 515M3     |
| <b>METAL SLEEVE</b> ●   |               |           |
|  | 0° (Straight) | 595M0     |
|   | 30°           | 595M3     |
|   | 70°           | 595M7     |

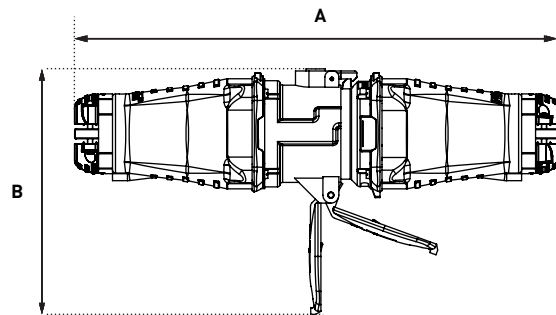
# DRAWINGS AND DIMENSIONS

PLUG ON SOCKET-OUTLET



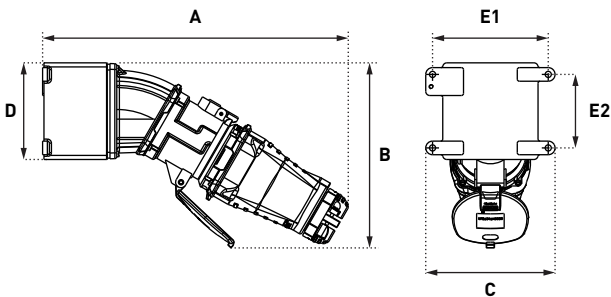
| A   | B   | C   | E  |
|-----|-----|-----|----|
| 308 | 246 | 118 | 81 |

COUPLER



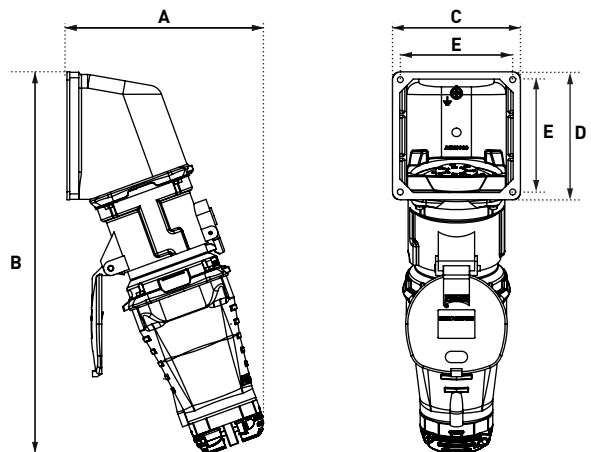
| A   | B   |
|-----|-----|
| 486 | 246 |

PLUG ON 30° WALL MOUNTED SOCKET OUTLET



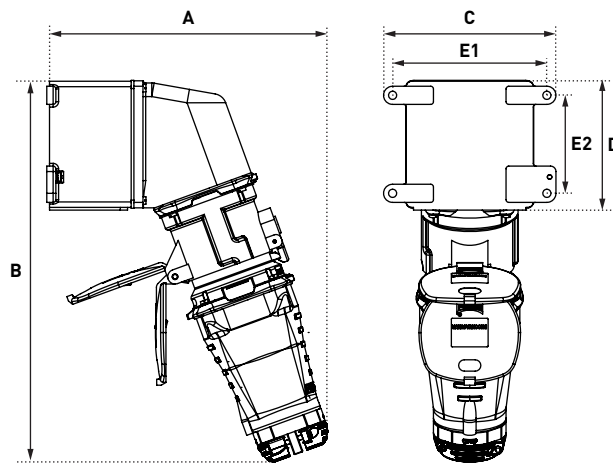
| A   | B   | C   | E1  | E2  |
|-----|-----|-----|-----|-----|
| 449 | 272 | 190 | 170 | 108 |

PLUG ON 70° INCLINED SOCKET OUTLET



| A   | B   | C   | D   | E   |
|-----|-----|-----|-----|-----|
| 217 | 421 | 141 | 141 | 124 |

PLUG ON 70° WALL MOUNTED SOCKET OUTLET



| A   | B   | C   | D   | E1  | E2  |
|-----|-----|-----|-----|-----|-----|
| 309 | 419 | 190 | 142 | 170 | 108 |

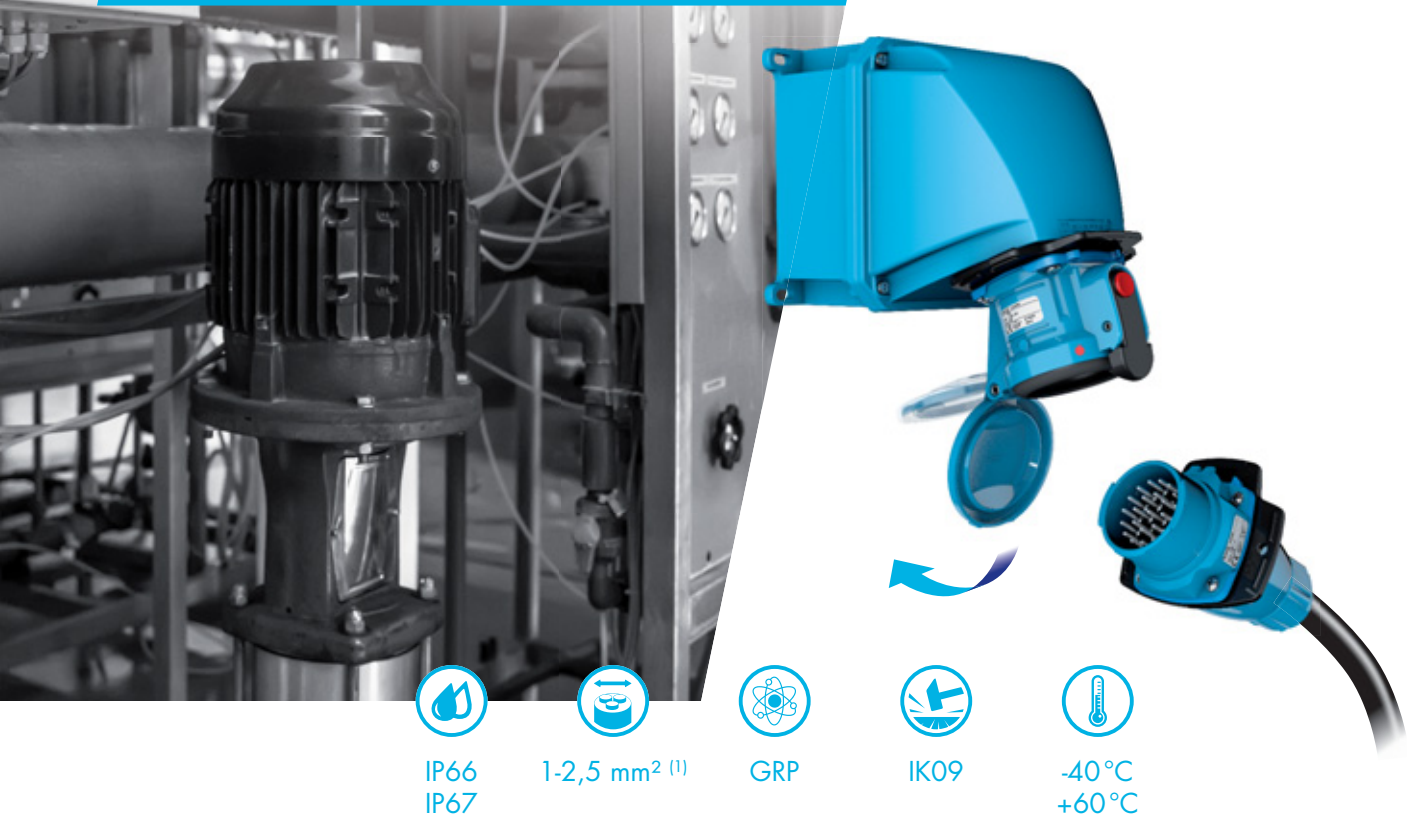


# 24 CONTACTS

16 A

480 V  
U<sub>MAXI</sub>

## MULTICONTACT CONNECTORS DSN24C



IP66  
IP67



1-2,5 mm<sup>2</sup> <sup>(1)</sup>



GRP



IK09



-40 °C  
+60 °C

(1) Flexible wiring (min.-max.).

### OTHER FEATURES

|                           |   |
|---------------------------|---|
| Impulse withstand voltage | 5 kV  |
| Contact resistance        | < 2 mΩ  |
| Permitted current range   | 4-20 mA/16 A  |
| ∑ of currents (contacts)  | ≤ 230 A   |
| Terminals wiring          | To weld/crimp   |
| Butt contacts             | Silver-nickel tips  |
| Contact protection        | Silvering   |
| Load cycles               | > 5000 cycles   |
| Vibrations                | Frequency 5-1000 Hz, 1g/(90 minutes on each critical frequency) according to IEC 6068-2-6 |

### SOCKET-OUTLET

female  
DSN24C



INLET male  
DSN24C



For a black colour housing replace the second reference character with 5.








480 V AC

24 contacts

61B4002

61B8002

► Each product is supplied with 2 bags of 13 contacts, supplied with insulation sleeves and ferrules (voir p. 142 or the accessories page for more details).



| OPTIONS   | Reference            |
|---|----------------------|
| <b>LOCKING PIN FOR 2 PADLOCKS Ø 4 TO 8 mm<br/>(PADLOCK NOT SUPPLIED)</b>            |                      |
|    | Ref. + 843           |
| <b>LARGER RELEASE BUTTON</b>  |                      |
|    | Ref. socket + 453    |
| <b>IN-LINE CONNECTIONS<br/>(A PAIR OF FINGER DRAW PLATES TO AID CLOSING)</b>        |                      |
|    | 613A346              |
| <b>INLET CAP IP66/IP67</b>  |                      |
|    | 613A426              |
| <b>IP40 SELF RETURNING LID (MANUAL CLOSING)</b>                                     |                      |
|    | Socket-outlet ref.+R |
| <b>BAG OF 13 FEMALES CONTACTS</b>   |                      |
|    | 01AA213              |
| <b>BAG OF 13 MALES CONTACTS</b>   |                      |
|  | 61CA113              |







**PRODUCTS AVAILABLE IN BLACK ●**

The black dot means these products are also available in black color. Replace the second character of the product reference with 5






**PRODUCT WITH ANTI-BACTERIAL TREATMENT ●****NEW**

This sticker means that the product is also available with an antibacterial treatment. Add the suffix AG to the reference. For more information on anti-bacterial treated handles please consult us.

| SLEEVE  | $\angle x^\circ$ | Reference |
|---|------------------|-----------|
| <b>POLY SLEEVE ●</b>  |                  |           |
|  | 30°              | 512M3     |
|  | 70°              | 512M7     |
| <b>METAL SLEEVE</b>   |                  |           |
|  | 0° (Straight)    | 592M0     |
|  | 30°              | 592M3     |

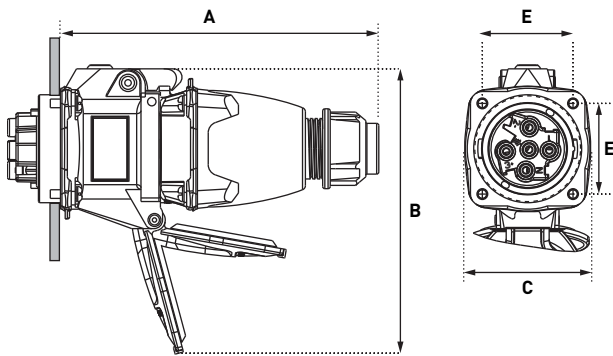
| BOXES   | $\angle x^\circ$ | Input                 | Reference |
|---|------------------|-----------------------|-----------|
| <b>POLY BOX ●</b>   |                  |                       |           |
|    | 30°              | M20                   | 512B3M20  |
|   | 30°              | M25                   | 512B3M25  |
| <b>METAL BOX (+ EARTHING WIRE)</b>  |                  |                       |           |
|    | 20°              | M20                   | 592B2M20  |
|   | 20°              | M25                   | 592B2M25  |
| <b>POLY BOX + POLY SLEEVE<br/>(BLACK VERSION SEE ACCESSORIES DXN3 PAGE 253)</b>     |                  |                       |           |
|   | 70°              | Without hole          | 512C7000  |
|    | 70°              | Ø 20 mm<br>drill hole | 512C7M20  |
|   | 70°              | Ø 25 mm<br>drill hole | 512C7M25  |
| Earth bar ref. :<br>51AA089   | 70°              | Ø 32 mm<br>drill hole | 512C7M32  |
|   | 70°              | Ø 40 mm<br>drill hole | 512C7M40  |
| <b>METAL BOX (+ EARTHING WIRE) + POLY SLEEVE</b>                                    |                  |                       |           |
|    | 30°              | M20                   | 512C3M20  |
|   | 30°              | M25                   | 512C3M25  |
|   | 30°              | M32                   | 512C3M32  |
|   | 30°              | M40                   | 512C3M40  |
| <b>METAL BOX (+ EARTHING WIRE) + METAL SLEEVE</b>                                   |                  |                       |           |
|   | 30°              | M20                   | 592C3M20  |
|   | 30°              | M25                   | 592C3M25  |
|   | 30°              | M32                   | 592C3M32  |
|  | 0° (Straight)    | M20                   | 592C0M20  |
|   | 0° (Straight)    | M25                   | 592C0M25  |
|   | 0° (Straight)    | M32                   | 592C0M32  |

Cable glands are not delivered with the boxes.

| HANDLE  | Input/<br>Cable outer Ø | Reference |
|---|-------------------------|-----------|
| <b>POLY HANDLE WITH GLAND ●●</b>  |                         |           |
|  | 5-21 mm                 | 512P0D21  |
| <b>POLY HANDLE + POLY CABLE GLAND ●●</b>  |                         |           |
|   | 5-12 mm                 | 512P020P  |
|  | 9-18 mm                 | 512P025P  |
|   | 14-25 mm                | 512P032P  |
|   | 18-32 mm                | 512P040P  |
| <b>METAL HANDLE WITH METAL GLAND (+ EARTHING WIRE)</b>                              |                         |           |
|  | 7-13 mm                 | 592P020M  |
|   | 8-16 mm                 | 592P025M  |
|   | 16-24 mm                | 592P032M  |
| <b>POLY HANDLE (WITHOUT CABLE GLAND) ●</b>  |                         |           |
|   | M20                     | 512P0M20  |
|  | M25                     | 512P0M25  |
|   | M32                     | 512P0M32  |
|   | M40                     | 512P0M40  |
| <b>METAL HANDLE METRIC THREAD ENTRY (WITHOUT CABLE GLAND)</b>                       |                         |           |
|  | M20                     | 592P0M20  |
|   | M25                     | 592P0M25  |
|   | M32                     | 592P0M32  |

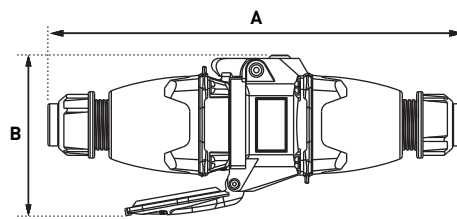
# DRAWINGS AND DIMENSIONS

PLUG ON SOCKET-OUTLET



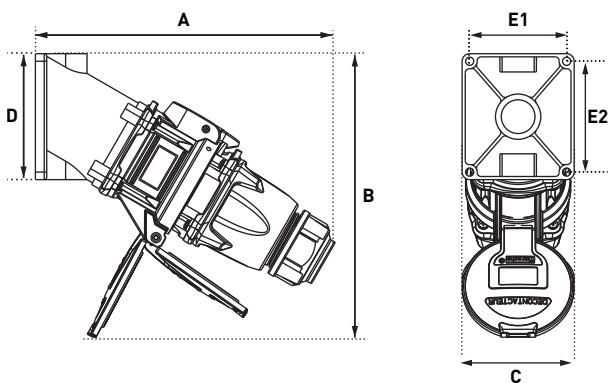
| A   | B   | C  | E  |
|-----|-----|----|----|
| 171 | 171 | 77 | 48 |

COUPLER



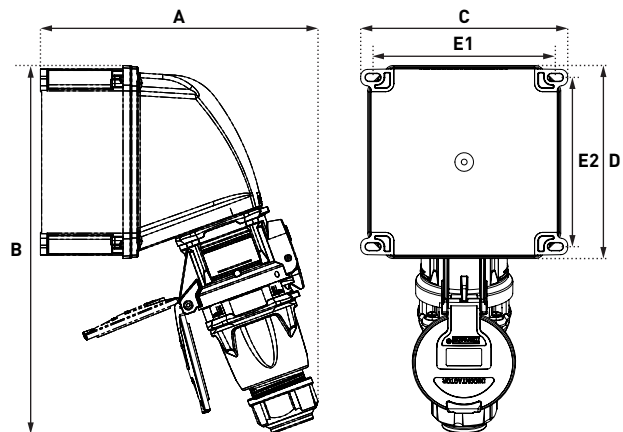
| A   | B   |
|-----|-----|
| 265 | 116 |

PLUG ON 30° WALL MOUNTED SOCKET OUTLET



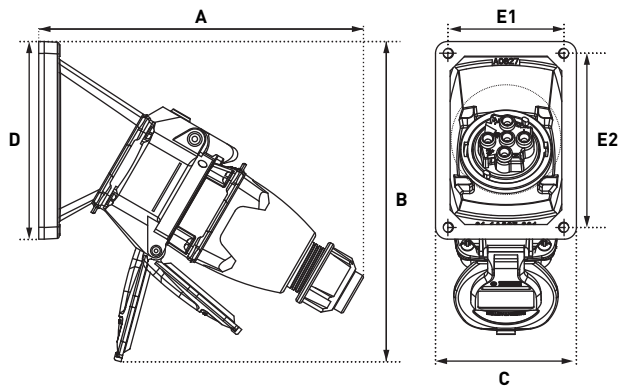
| A   | B   | C  | D  | E1 | E2 |
|-----|-----|----|----|----|----|
| 213 | 191 | 84 | 84 | 70 | 70 |

PLUG ON 70° WALL-MOUNTED SOCKET-OUTLET



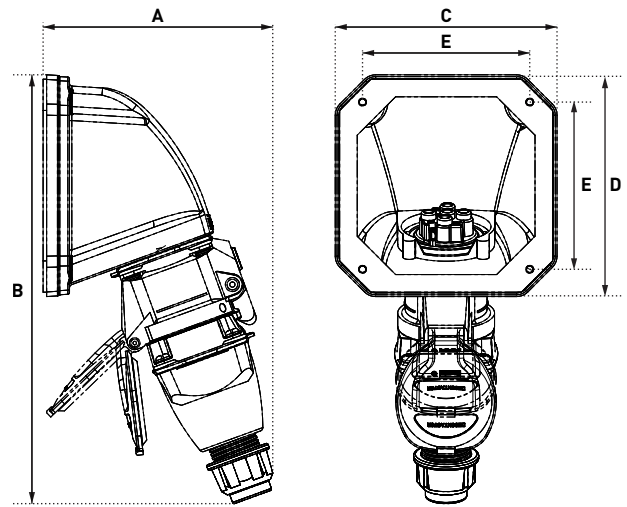
| A   | B   | C   | D   | E1  | E2    |
|-----|-----|-----|-----|-----|-------|
| 207 | 262 | 138 | 126 | 117 | 105.5 |

PLUG ON 30° INCLINED SOCKET-OUTLET



| A   | B   | C  | D   | E1 | E2 |
|-----|-----|----|-----|----|----|
| 195 | 191 | 77 | 108 | 63 | 95 |

PLUG ON 70° INCLINED SOCKET-OUTLET



| A   | B   | C   | D   | E  |
|-----|-----|-----|-----|----|
| 138 | 262 | 126 | 126 | 95 |

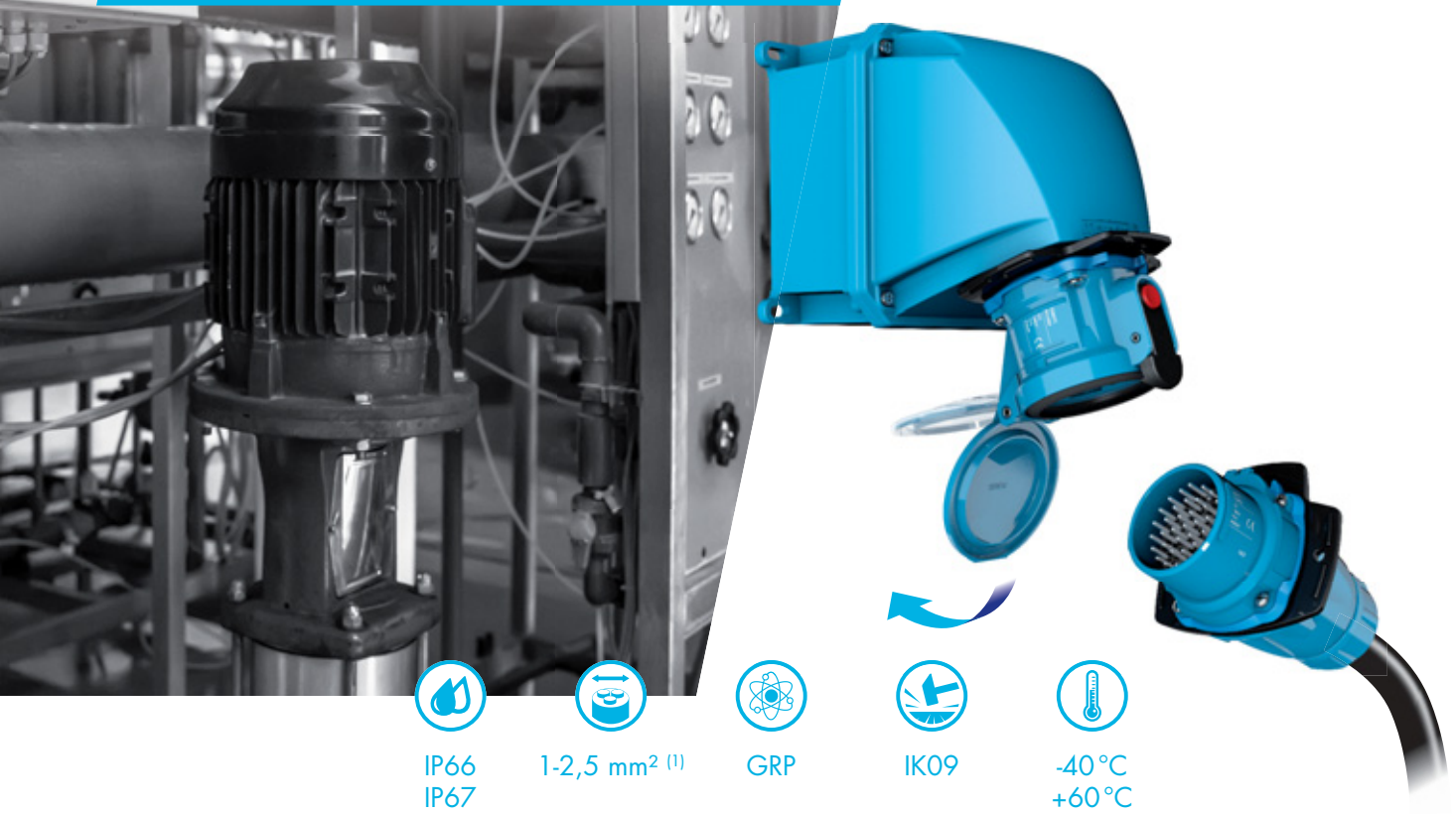


# 37 CONTACTS

16 A

480 V  
U<sub>MAXI</sub>

## MULTICONTACT CONNECTORS DSN37C



IP66  
IP67



1-2,5 mm<sup>2</sup> <sup>(1)</sup>



GRP



IK09



-40 °C  
+60 °C

(1) Flexible wiring (min.-max.).



For metal versions,  
contact us.

### OTHER FEATURES

|                           |   |
|---------------------------|---|
| Impulse withstand voltage | 5 kV  |
| Contact resistance        | < 2 mΩ  |
| Permitted current range   | 4-20 mA/16 A  |
| ∑ of currents (contacts)  | ≤ 360 A   |
| Terminals wiring          | To weld/crimp   |
| Butt contacts             | Silver-nickel tips  |
| Contact protection        | Silvering   |
| Load cycles               | > 5000 cycles   |
| Vibrations                | Frequency 5-1000 Hz, 1g/(90 minutes on each critical frequency) according to IEC 6068-2-6 |

### SOCKET-OUTLET

female  
DSN37C



INLET male  
DSN37C
















For a black colour  
housing replace the second  
reference character with 5.





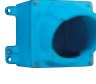


|          |             |         |         |
|----------|-------------|---------|---------|
| 480 V AC | 37 contacts | 61C4003 | 61C8003 |
|----------|-------------|---------|---------|

► Each product is supplied with 3 bags of 13 contacts, supplied with insulation sleeves and ferrules (voir p. 142 or the accessories page for more details).








| OPTIONS  | Reference                                |
|--|--|
| <b>LOCKING PIN FOR 2 PADLOCKS Ø 4 TO 8 mm<br/>(PADLOCK NOT SUPPLIED)</b>   |  |
|   | Ref. + 843                               |
| <b>LARGER RELEASE BUTTON</b>   |  |
|   | Ref. socket<br>+ 453                     |
| <b>IN-LINE CONNECTIONS<br/>(A PAIR OF FINGER DRAW PLATES)</b>  |  |
|   | 616A346                                  |
| <b>INLET CAP IP66/IP67</b>   |  |
|   | 616A426                                  |
| <b>IP40 SELF RETURNING LID<br/>(MANUAL CLOSING)</b>  |  |
|   | Socket-outlet<br>ref.+R                  |
| <b>REVERSED INTERIOR AND CONTACTS</b>  |  |
|   | Ref. conn. + 001<br>Ref. socket<br>+ 001 |
| <b>BAG OF 13 FEMALES CONTACTS</b>  |  |
|   | 01AA213                                  |
| <b>BAG OF 13 MALES CONTACTS</b>  |  |
|   | 61CA113                                  |
| <b>PRODUCTS AVAILABLE IN BLACK ●</b>   |  |
| The black dot means these products are also available in black color.<br>Replace the second character of the product reference with 5  |  |
| <b>PRODUCT WITH ANTI-BACTERIAL TREATMENT ●</b>   | <b>NEW</b>                               |
| This sticker means that the product is also available with an antibacterial treatment. Add the suffix AG to the reference. For more information on anti-bacterial treated handles please consult us. |  |

| SLEEVE  | x°            | Reference |
|---|---------------|-----------|
| <b>POLY SLEEVE ●</b>  |               |           |
|  | 30°           | 513M3     |
|  | 70°           | 513M7     |
| <b>METAL SLEEVE</b>   |               |           |
|  | 0° (Straight) | 593M0     |
|  | 30°           | 593M3     |
|  | 70°           | 593M7     |

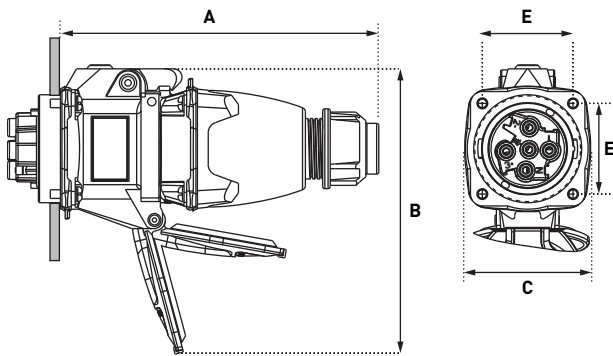
| BOÎTIERS  | x°            | Input                 | Reference |
|---|---------------|-----------------------|-----------|
| <b>POLY BOX ●</b>   |               |                       |           |
|    | 30°           | M25                   | 513B3M25  |
| <b>METAL BOX (+ EARTHING WIRE)</b>  |               |                       |           |
|    | 20°           | M20                   | 593B2M20  |
|   | 20°           | M25                   | 593B2M25  |
|   | 20°           | M32                   | 593B2M32  |
| <b>POLY BOX + POLY SLEEVE<br/>(BLACK VERSION SEE ACCESSORIES DXN6 PAGE 259)</b>     |               |                       |           |
|    | 70°           | Without hole          | 513C7000  |
|   | 70°           | Ø 25 mm<br>drill hole | 513C7M25  |
| Earth bar ref. :<br>51AA089   | 70°           | Ø 32 mm<br>drill hole | 513C7M32  |
|   | 70°           | Ø 40 mm<br>drill hole | 513C7M40  |
| <b>METAL BOX (+ EARTHING WIRE) + POLY SLEEVE</b>                                    |               |                       |           |
|    | 30°           | M20                   | 513C3M20  |
|   | 30°           | M25                   | 513C3M25  |
|   | 30°           | M32                   | 513C3M32  |
|   | 30°           | M40                   | 513C3M40  |
| <b>METAL BOX (+ EARTHING WIRE) + METAL SLEEVE</b>                                   |               |                       |           |
|   | 30°           | M20                   | 593C3M20  |
|   | 30°           | M25                   | 593C3M25  |
|   | 30°           | M32                   | 593C3M32  |
|   | 30°           | M40                   | 593C3M40  |
|  | 0° (Straight) | M20                   | 593C0M20  |
|   | 0° (Straight) | M25                   | 593C0M25  |
|   | 0° (Straight) | M32                   | 593C0M32  |
|   | 0° (Straight) | M40                   | 593C0M40  |
|  | 70°           | M20                   | 593C7M20  |
|   | 70°           | M25                   | 593C7M25  |
|   | 70°           | M32                   | 593C7M32  |
|   | 70°           | M40                   | 593C7M40  |

Cable glands are not delivered with the boxes.

| HANDLE  | Input/<br>Cable outer Ø | Reference |
|---|-------------------------|-----------|
| <b>POLY HANDLE WITH GLAND ●●</b>  |                         |           |
|  | 10-30 mm                | 513P0D30  |
| <b>POLY HANDLE + POLY CABLE GLAND ●●</b>  |                         |           |
|  | 9-18 mm                 | 513P025P  |
|   | 14-25 mm                | 513P032P  |
|   | 18-32 mm                | 513P040P  |
| <b>METAL HANDLE WITH METAL GLAND (+ EARTHING WIRE)</b>                              |                         |           |
|  | 7-13 mm                 | 593P020M  |
|   | 8-16 mm                 | 593P025M  |
|   | 16-24 mm                | 593P032M  |
|   | 22-32 mm                | 593P040M  |
| <b>POLY HANDLE (WITHOUT CABLE GLAND) ●</b>  |                         |           |
|  | M20                     | 513P0M20  |
|   | M25                     | 513P0M25  |
|   | M32                     | 513P0M32  |
|   | M40                     | 513P0M40  |
| <b>METAL HANDLE METRIC THREAD ENTRY (WITHOUT CABLE GLAND)</b>                       |                         |           |
|  | M20                     | 593P0M20  |
|   | M25                     | 593P0M25  |
|   | M32                     | 593P0M32  |
|   | M40                     | 593P0M40  |

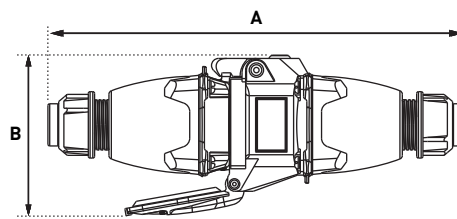
# DRAWINGS AND DIMENSIONS

PLUG ON SOCKET-OUTLET



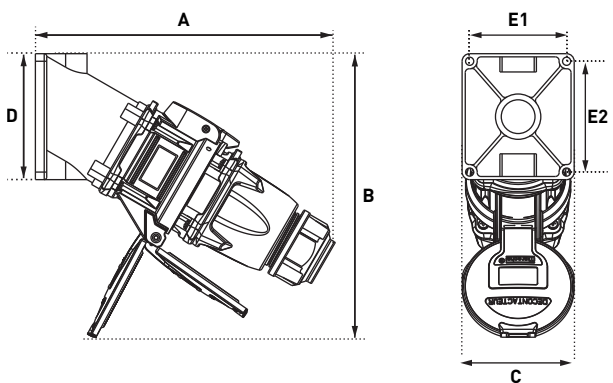
| A   | B   | C  | E  |
|-----|-----|----|----|
| 184 | 195 | 84 | 55 |

COUPLER



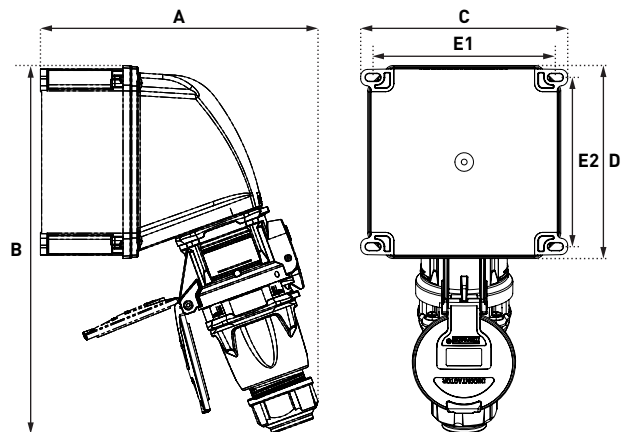
| A   | B   |
|-----|-----|
| 286 | 122 |

PLUG ON 30° WALL MOUNTED SOCKET OUTLET



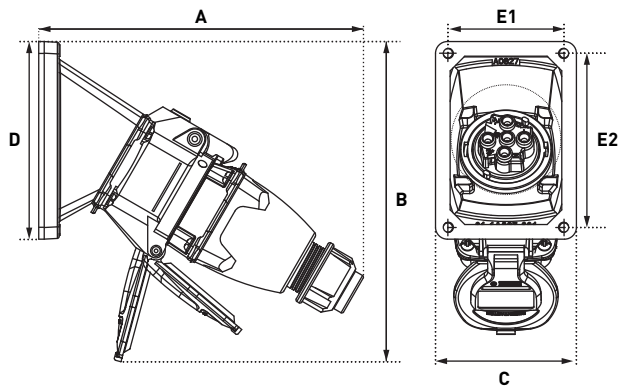
| A   | B   | C  | D   | E1 | E2 |
|-----|-----|----|-----|----|----|
| 238 | 225 | 89 | 100 | 77 | 88 |

PLUG ON 70° WALL-MOUNTED SOCKET-OUTLET



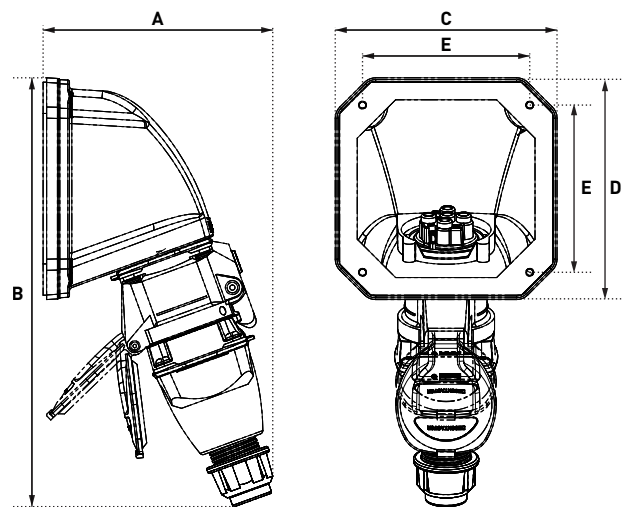
| A   | B   | C   | D   | E1  | E2  |
|-----|-----|-----|-----|-----|-----|
| 239 | 317 | 178 | 166 | 157 | 146 |

PLUG ON 30° INCLINED SOCKET-OUTLET



| A   | B   | C  | D   | E1 | E2 |
|-----|-----|----|-----|----|----|
| 212 | 219 | 77 | 108 | 63 | 95 |

PLUG ON 70° INCLINED SOCKET-OUTLET



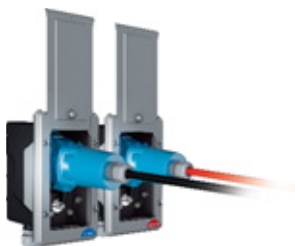
| A   | B   | C   | D   | E   |
|-----|-----|-----|-----|-----|
| 170 | 317 | 166 | 166 | 135 |



# MOBILE APPLICATIONS

20 A

**RETTBOX® ONE**  
WITH OR WITHOUT AIR



20 A/32 A

**RETTBOX® S**  
WITH OR WITHOUT AIR



20 A » 150 A

**SELF-EJECTION DECONTACTOR™**



| MODEL                      | CURRENT     | U MAX AC               | MAX NB OF CONTACTS | NB AUX./PIL. MAX |
|----------------------------|-------------|------------------------|--------------------|------------------|
| RETTBOX® ONE               | 20 A        | 440 V                  | 4+E                | 3 AUX.           |
| RETTBOX® S                 | 20 A/32 A   | 440 V                  | 4+E                | 2 AUX.           |
| SELF-EJECTION DECONTACTOR™ | ««          | Depending on reference | »»                 |                  |
| PN ANTI ENGINE START UP    | 30 A        | 250 V                  | 2+E                | 2 AUX.           |
| DISTRIBUTION BOXES         | 20 A » 90 A | 400 V                  | 4+E                | 4 AUX.           |

DOWNLOAD ALL TECHNICAL SHEETS ON OUR WEBSITE **MARECHAL.COM**

## SAFE POWER SUPPLY FOR AUXILIARY CHARGING DEVICES

**30 A**

### PN ANTI ENGINE START UP PLUG



**20 A » 90 A**

### DISTRIBUTION BOXES



MOBILE APPLICATIONS

DECONTACTOR™

MATIÈRE

IP

COMPRESSED AIR SUPPLY OPTION

PAGE

Yes

POLY METAL

IP55

AIR Version

180

Yes

POLY

IP54

AIR Version

190

Yes

«« Depending on reference »»

No

192

/

POLY METAL

IP55

No

196

Yes

POLY METAL

IP66

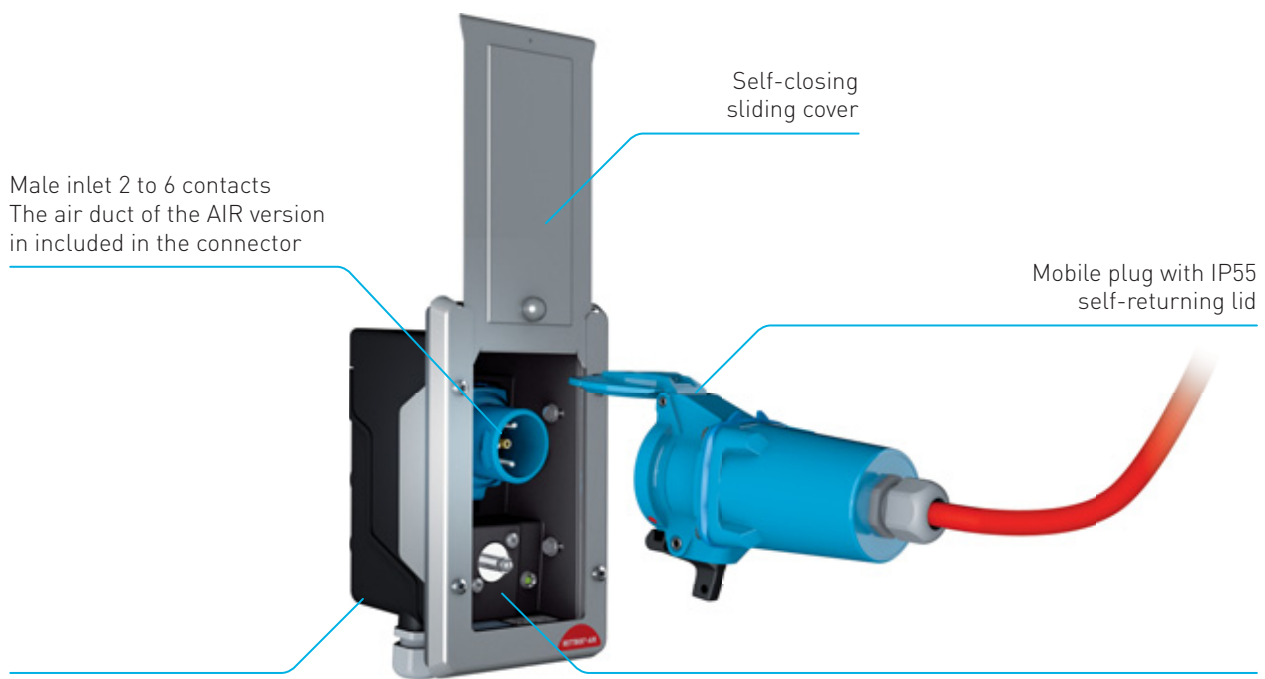
No

198

20 A/32 A

# RETTBOX® ONE SERIES ELECTROMAGNETIC SELF-EJECTION

## RETTBOX® ONE



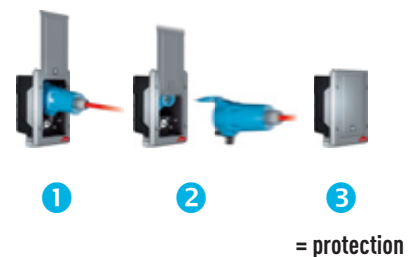
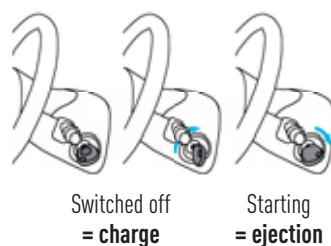
RETTBOX® ONE 20 A: casing in GRP  
RETTBOX® ONE 32 A: stainless steel AISI316L

Electric solenoid 12/24 V providing automatic ejection when the engine is started

## INFOS +

### ENSURE SPEED AND SAFETY

- 1 Loading box connected to the electrical system of the vehicle.
- 2 Automatic ejection of the coupler socket upon start-up of the vehicle by way of an electric solenoid.
- 3 Protection against water and dust by means of a self-closing cover.

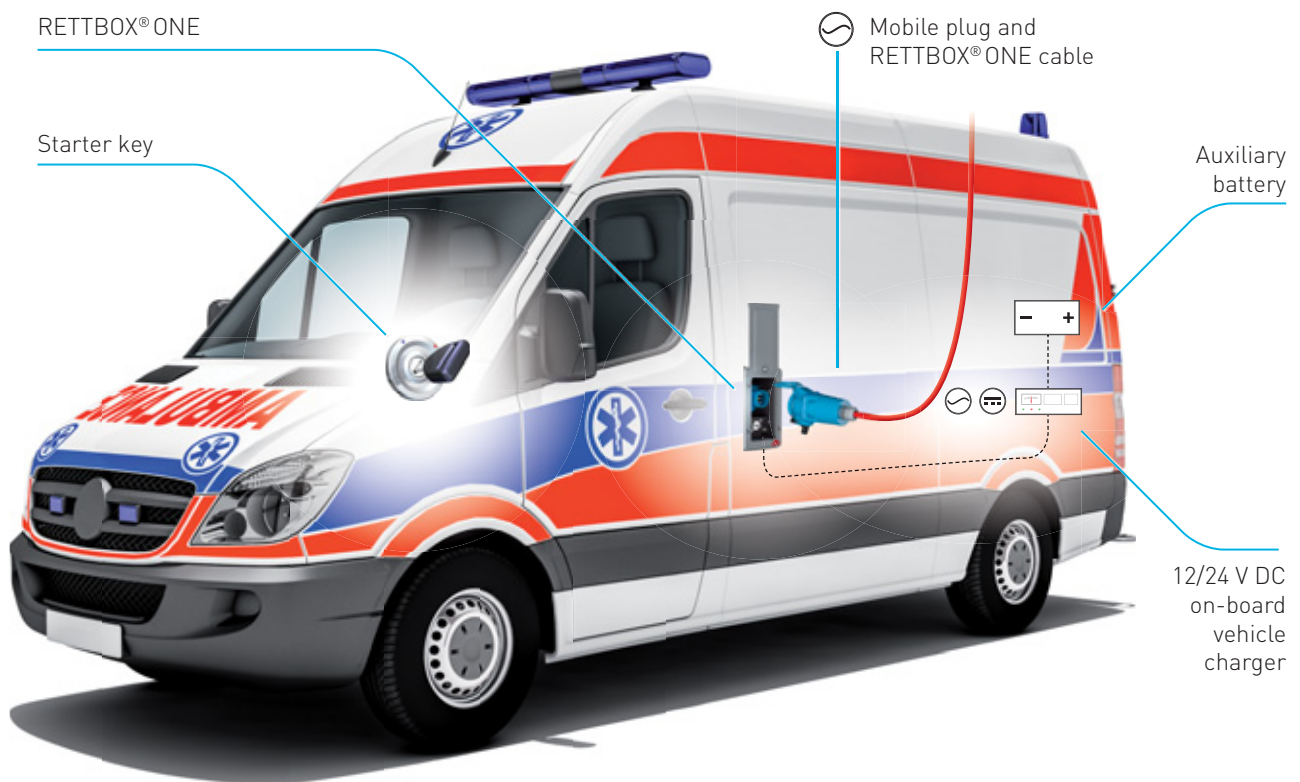


RETTBOX® ONE complies with the following standards:

- European Low Voltage Directive and RoHS, European REACH Regulation.
- IEC/EN 60309-1 and IEC/EN 60670.

## CONNECTION DIAGRAM BY TYPE

Power supply with 230 V AC or 400 V AC on-board battery charger.



FIND ALL THE INFORMATION ABOUT THE  
RETTBOX® ONE ON OUR YOUTUBE CHANNEL



# 20A

440 V  
U MAXI

## RETTBOX® ONE ELECTROMAGNETIC SELF-EJECTION



IP55



1,5 - 6 mm<sup>2</sup> (1)



GRP  
STAINLESS  
STEEL



IK08  
IK10



- 40 °C  
+ 60 °C



3 AUX.

(1) Flexible wiring (min.-max.)



**ENCLOSURE WITH INLET**  
pre-wired, cable 4 m  
supplied with 4 m cable (2)



**COUPLER SOCKET**  
pre-wired, cable 4 m  
included (2)

### RETTBOX® ONE (20A)

|                |               |                                |               |             |
|----------------|---------------|--------------------------------|---------------|-------------|
| 220 - 250 V AC | 1P+N+E        | With 12 V relay and male inlet | 6116015RK412U | 6113015RK4L |
| 220 - 250 V AC | 1P+N+E        | With 24 V relay and male inlet | 6116015RK424U | 6113015RK4L |
| 220 - 250 V AC | 1P+N+E+2 aux. | With 12 V relay and male inlet | 6116175RK412U | 6113175RK4L |
| 220 - 250 V AC | 1P+N+E+2 aux. | With 24 V relay and male inlet | 6116175RK424U | 6113175RK4L |
| 24 V DC        | 2P DC*        | With 24 V relay and male inlet | 6116089RK424U | 6113089RK4L |
| 12 V DC        | 2P DC*        | With 12 V relay and male inlet | 6116059RK412U | 6113059RK4L |

\*LED not available for these configurations.

(2) All versions are available in 4, 8 and 12 m, contact us for the references.



OTHER FEATURES

|   | RETTBOX® ONE (20A) |
|---|--------------------|
| Front   | stainless steel    |
| Box   | GRP                |
| Front dimensions (W x H) in mm                          | 114 X 184          |
| Cut-out dimensions on vehicle's frame (W x H x D) in mm | 83 X 163 x 94      |
| Auxiliary contacts in option                            | 2 Aux              |
| Weight (excluding coupler socket)                       | 1 200 g            |
| Built-in DECONTACTOR™                                   | 20A                |

DOWNLOAD THE RETTBOX® ONE USER MANUAL FROM OUR WEBSITE MARECHAL.COM



INFOS +

LED CONTROL LIGHT

RETTBOX® ONE (20 A, 230 V) feature a LED signal light that indicates the presence of charging voltage.



OPTIONS

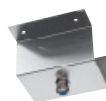
Reference

LEATHER PULL-GRIP (COUPLER SOCKET)



611AZIE

CEILING BRACKET MADE OF STAINLESS STEEL

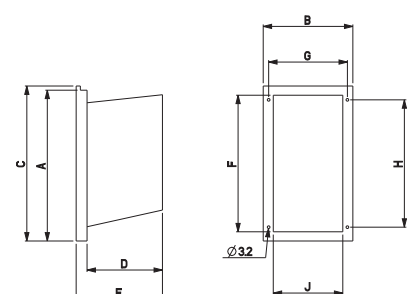


RETTBOX® ONE 20A

611AHUTRRR L

DRAWINGS AND DIMENSIONS

|                   | A   | B   | C   | D  | E   | F   | G  | H   | J  |
|-------------------|-----|-----|-----|----|-----|-----|----|-----|----|
| RETTBOX® ONE 20 A | 184 | 114 | 184 | 89 | 114 | 163 | 94 | 152 | 83 |



# 20A/32A

440 V  
U MAXI

## RETTBOX® ONE AIR ELECTROMAGNETIC SELF-EJECTION



IP55



1,5 - 6 mm<sup>2</sup> (1)



GRP  
STAINLESS  
STEEL



IK08  
IK10



- 40 °C  
+ 60 °C



3 AUX.

(1) Flexible wiring (min.-max.)



**ENCLOSURE WITH INLET**  
supplied with 4 m cable -  
compressed air conduct up to 13 bars<sup>(2)</sup>

**COUPLER SOCKET**  
pre-wired, cable 4 m  
included <sup>(2)</sup>

### RETTBOX® ONE AIR (20A)

|                                 |               |                                |               |             |
|---------------------------------|---------------|--------------------------------|---------------|-------------|
| 220 - 250 V AC                  | 1P+N+E        | With 12 V relay and male inlet | 6116015AK412U | 6113015AK4L |
| 220 - 250 V AC                  | 1P+N+E        | With 24 V relay and male inlet | 6116015AK424U | 6113015AK4L |
| 220 - 250 V AC                  | 1P+N+E+1 aux. | With 12 V relay and male inlet | 6116215AK412U | 6113215AK4L |
| 220 - 250 V AC                  | 1P+N+E+1 aux. | With 24 V relay and male inlet | 6116215AK424U | 6113215AK4L |
| 24 V DC                         | 2P DC*        | With 24 V relay and male inlet | 6116089AK424U | 6113089AK4L |
| 12 V DC                         | 2P DC*        | With 12 V relay and male inlet | 6116059AK412U | 6113059AK4L |
| Cable only (per metre): 611AKOM |               |                                |               |             |

\*LED not available for these configurations.

(2) All versions are available in 4, 8 and 12 m, contact us for the references.



**ENCLOSURE WITH INLET**  
supplied with 4 m cable -  
compressed air conduct up to 13 bars<sup>(2)</sup>

**COUPLER SOCKET**  
pre-wired, cable 4 m  
included <sup>(2)</sup>

### RETTBOX® ONE AIR (32A)

|                                 |               |                                |               |             |
|---------------------------------|---------------|--------------------------------|---------------|-------------|
| 200 - 250 V AC                  | 1P+N+E+3 aux. | With 24 V relay and male inlet | 3816187AK424U | 3813187AK4L |
| 380 - 440 V AC                  | 3P+N+E+1 aux. | With 24 V relay and male inlet | 3816247AK424U | 3813247AK4L |
| Cable only (per metre): 381AKOM |               |                                |               |             |

(2) All versions are available in 4, 8 and 12 m, contact us for the references.

**OTHER FEATURES**

|   | RETTBOX® ONE AIR (20A) | RETTBOX® ONE AIR (32A) |
|---|------------------------|------------------------|
| Front   | stainless steel        | stainless steel        |
| Box   | GRP                    | stainless steel        |
| Front dimensions (W x H) in mm                          | 114 X 184              | 132 X 188              |
| Cut-out dimensions on vehicle's frame (W x H x D) in mm | 83 X 163 x 94          | 103 X 173 x 145        |
| Auxiliary contacts in option                            | 1 Aux                  | 3 Aux                  |
| Weight (excluding coupler socket)                       | 1 200 G                | 3 200 G                |
| Built-in DECONTACTOR™                                   | 20A                    | 32A                    |
| Compressed air duct                                     | up to 13 bars          | up to 13 bars          |

**DOWNLOAD THE RETTBOX® USER MANUAL FROM OUR WEBSITE MARECHAL.COM**



**INFOS +**

**LED CONTROL LIGHT**

RETTBOX® ONE AIR (20 A, 230 V) feature a LED signal light that indicates the voltage presence.



**OPTIONS**

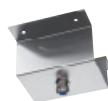
**Reference**

**LEATHER PULL-GRIP (COUPLER SOCKET)**



611AZIE

**CEILING BRACKET MADE OF STAINLESS STEEL**



RETTBOX® ONE AIR 20A

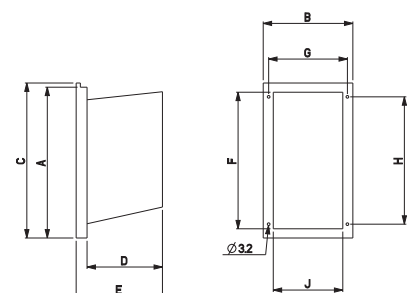
611AHUTAAA L

RETTBOX® ONE AIR 32A

381AHUTAAA L

**DRAWINGS AND DIMENSIONS**

|                              | A   | B   | C   | D   | E   | F   | G   | H   | J   |
|------------------------------|-----|-----|-----|-----|-----|-----|-----|-----|-----|
| <b>RETTBOX® ONE AIR 20 A</b> | 184 | 114 | 184 | 89  | 114 | 163 | 94  | 152 | 83  |
| <b>RETTBOX® ONE AIR 32 A</b> | 188 | 132 | 197 | 140 | 151 | 173 | 116 | 169 | 103 |



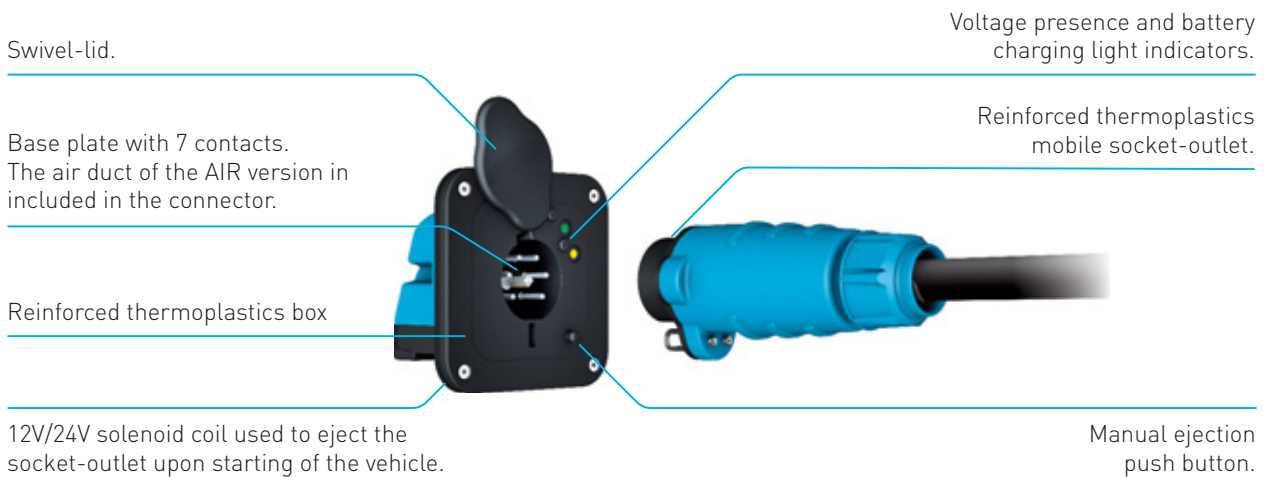
20 A/32 A

# RETTBOX® S SERIES

## ELECTROMAGNETIC SELF-EJECTION

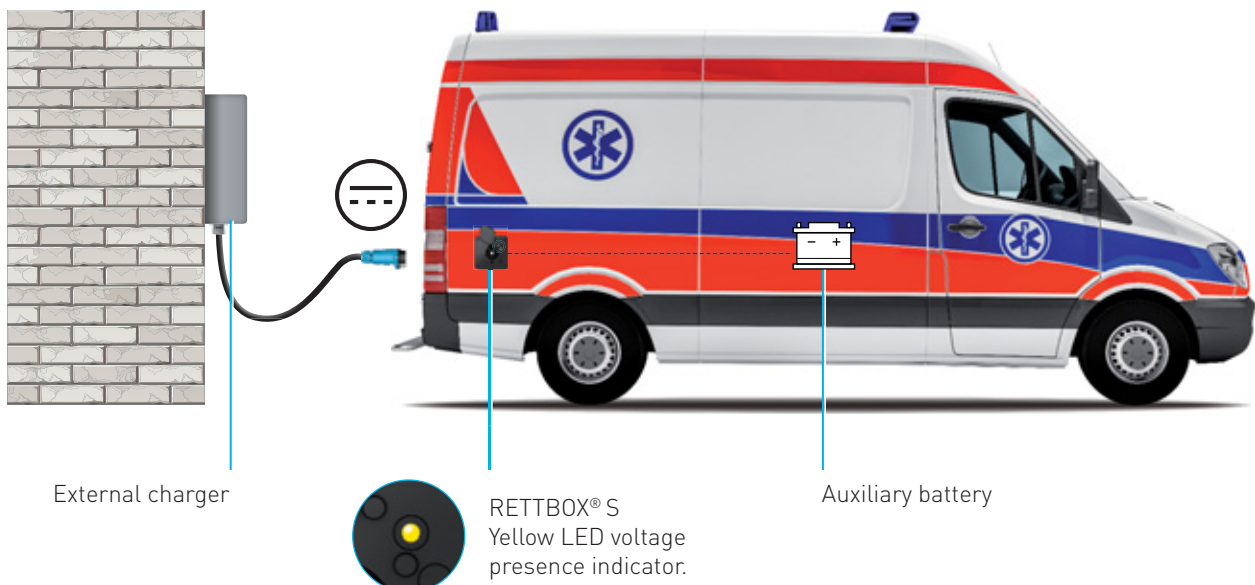
WITH OR WITHOUT AIR

### RETTBOX® S



### VOLTAGE PRESENCE AND AUXILIARY BATTERY CHARGING LIGHT INDICATORS

Figure 1: with an external battery charger.  
12 V DC or 24 V DC power supply.



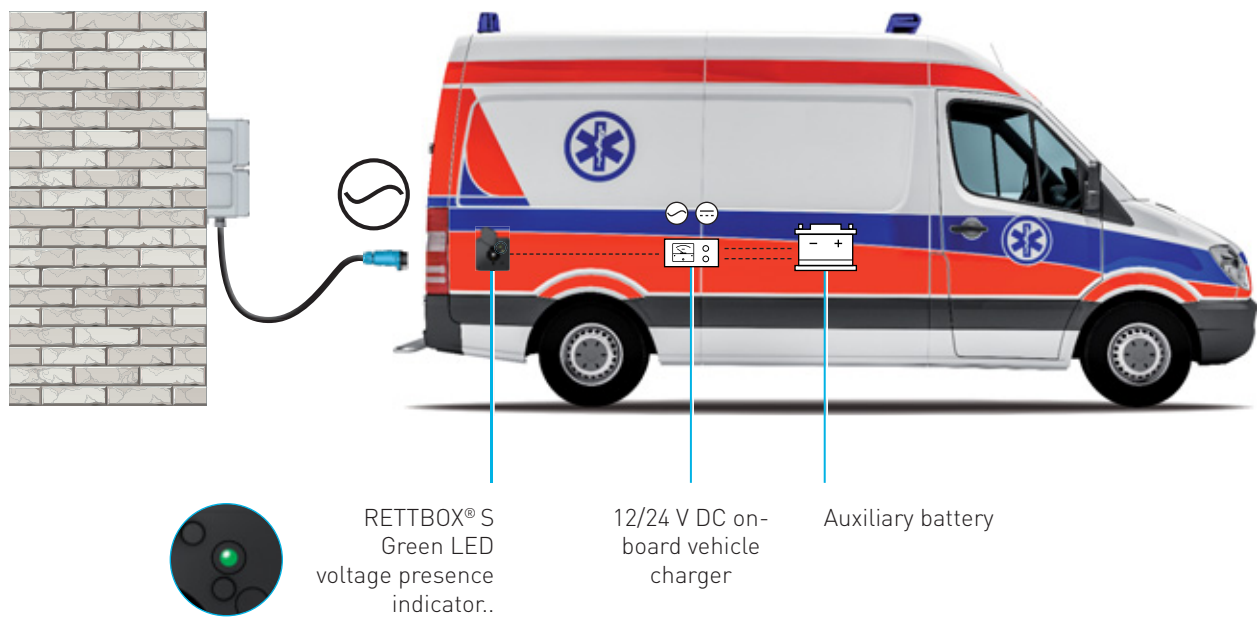
RETTBOX® S is a professional use compact and load-breaking self-ejecting socket-outlet.

The best in class industrial socket-outlet providing power to all equipment on-board a vehicle.

RETTBOX® S complies with the following standards:

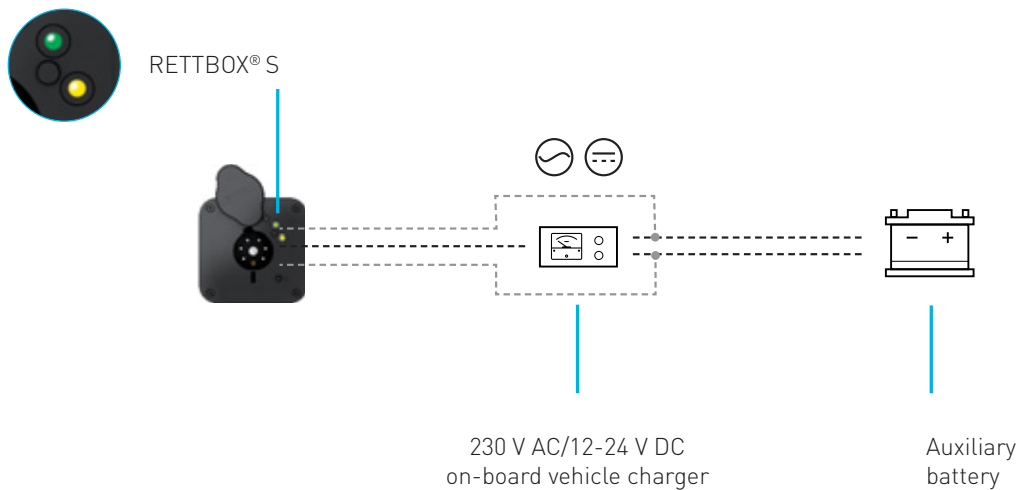
- European Low Voltage Directive and RoHS, European REACH Regulation.
- IEC/EN 61984, IEC/EN 60947-3.

**Figure 2: with an on-board vehicle charger. up to 480 V AC power supply.**



### OPTIONAL

Order a 12 V DC/24 V DC yellow LED battery charging indicator. Reference : 151ALED-24J



# 20A/32A

480 V  
U MAXI

**RETTBOX® S**

ELECTROMAGNETIC SELF-EJECTION

**NEW**

WITH OR WITHOUT AIR



IP54



1,5 - 6 mm<sup>2</sup> (1)



GRP



IK08



- 40 °C  
+ 60 °C

(1) Flexible wiring (min.-max.)



**Cable is not included**

**RETTBOX® S (20 A)**  
**RETTBOX® S AIR (20 A)\***



**BOX\***



**COUPLER SOCKET**  
straight<sup>(2)\*</sup>



angled 60°<sup>(3)</sup>

|                |      |  |         |         |         |
|----------------|------|--|---------|---------|---------|
| 220 - 250 V AC | 6P+E | With solenoid coil 12/24 V DC and male connector | 1516016 | 1513016 | 15C3016 |
| 24 V DC        | 6P+E | With solenoid coil 12/24 V DC and male connector | 1516046 | 1513046 | 15C3046 |
| 12 V DC        | 6P+E | With solenoid coil 12/24 V DC and male connector | 1516026 | 1513026 | 15C3026 |

(2) Input/Cable outer Ø 5-21 mm - (3) Input/Cable outer Ø 9-18 mm, no Air version available.

\* For AIR version, change the 0 of the product reference by A.



**BOX\***



**COUPLER SOCKET**  
straight<sup>(2)\*</sup>



angled 60°<sup>(3)</sup>

|                |      |  |         |         |         |
|----------------|------|--|---------|---------|---------|
| 380 - 480 V AC | 6P+E | With solenoid coil 12/24 V DC and male connector | 1536036 | 1533036 | 15C3036 |
|----------------|------|--|---------|---------|---------|

(2) Input/Cable outer Ø 5-21 mm - (3) Input/Cable outer Ø 9-18 mm, no Air version available.

\* For AIR version, change the 0 of the product reference by A.

### OTHER FEATURES

|   | RETTBOX® S (20 A) | RETTBOX® S (32 A) | RETTBOX® S AIR (20 A) | RETTBOX® S AIR (32 A) |
|---|-------------------|-------------------|-----------------------|-----------------------|
| Box material  | GRP               | GRP               | GRP                   | GRP                   |
| Front dimensions (W x H) in mm                          | 120 x 120         | 120 x 120         | 120 x 120             | 120 x 120             |
| IP Box  | IP54              | IP54              | IP54                  | IP54                  |
| IP : mobile socket-outlet without plug cap              | IP2X              | IP2X              | IP2X                  | IP2X                  |
| IP : mobile socket-outlet with plug cap                 | IP44              | IP44              | IP44                  | IP44                  |
| Cut-out dimensions on vehicle's frame (W x H x D) in mm | 86 x 82 x 83      | 86 x 82 x 83      | 86 x 82 x 83          | 86 x 82 x 83          |
| Weight (excluding coupler socket)                       | 400 g             | 400 g             | 407 g                 | 407 g                 |
| AIR Version   | /                 | /                 | up to 13 bars         | up to 13 bars         |

### OPTIONS



Order a 12/24 V yellow LED battery charging indicator.  
Reference : 151ALED-24J.



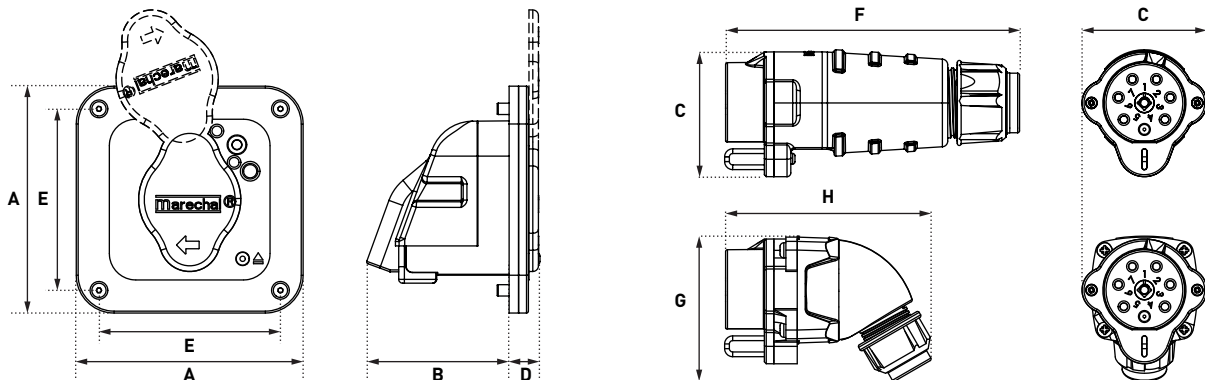
Contact us for wall installation  
with a box 120x120x91.

Cable available per meter

381AKOM : 32 A cable, 1 air duct  
+ 5G6mm<sup>2</sup> (4P+T) + 2 x 2.5mm<sup>2</sup> for auxiliaries

611AKOM: 20 A cable, 1 compressed air duct  
+ 4G2.5mm<sup>2</sup> (3P+T) + 2 x 1.5mm<sup>2</sup> for auxiliaries

## DRAWINGS AND DIMENSIONS



| A   | B  | C  | D  | E  | F   | G  | H   |
|-----|----|----|----|----|-----|----|-----|
| 120 | 75 | 66 | 16 | 96 | 156 | 77 | 109 |

20 A » 150 A

# DSN/DS/DXN RANGES MECHANICAL SELF-EJECTING

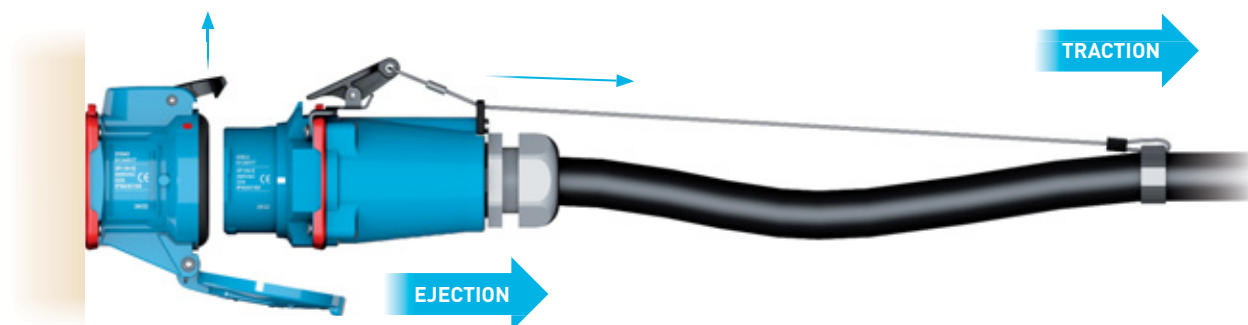
## FIXED ELECTRIC POWER SUPPLY



Step 1: self-ejection system at rest.



Step 2: the traction acts on the electrical cable and the rope. The ejection lever gradually raises the latch.



Step 3: the latch is fully raised by the ejection lever, causing the automatic ejection of the plug.



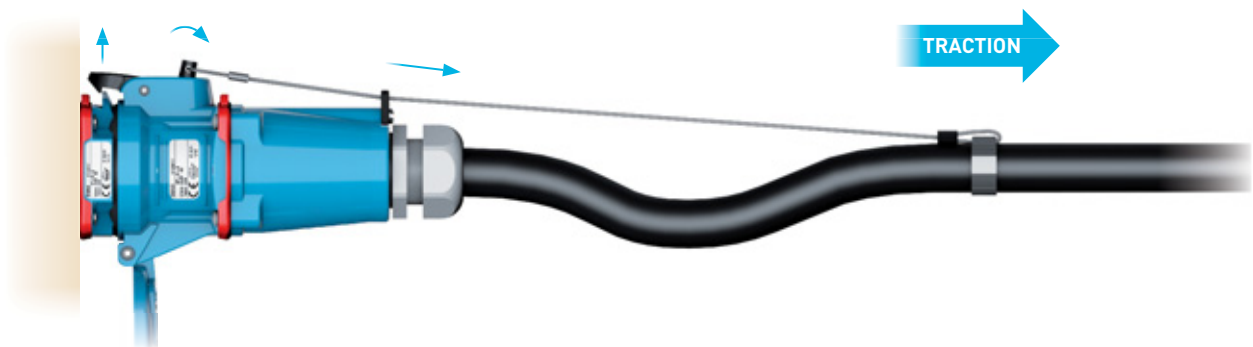
# OPERATION SEQUENCE

Self-ejection systems avoid damage to the electrical installation when the mobile equipment is moved without removing the supply connection. They are designed to automatically release the mobile socket outlet or inlet thanks to a cord attached to the locking latch and the power supply cable.

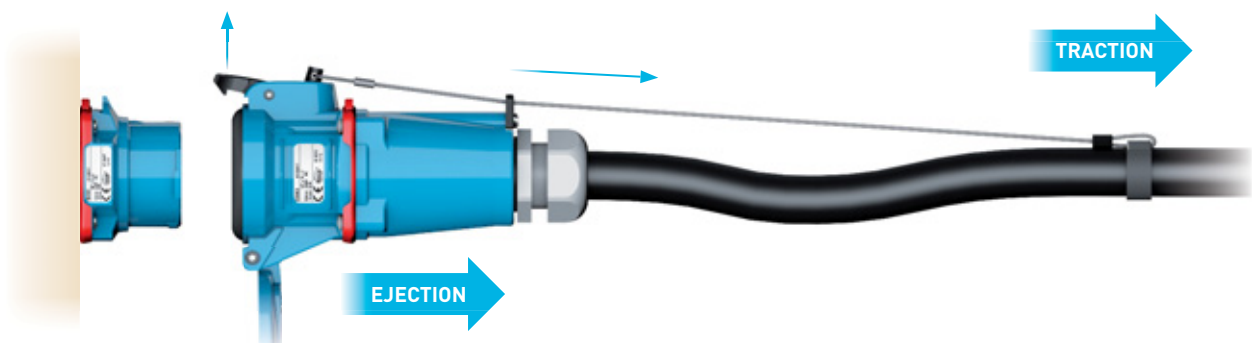
## MOBILE POWER SUPPLY SOURCE



Step 1: Self-ejection system at rest.



Step 2: The traction acts on the electrical cable and the rope. The latch rises gradually.



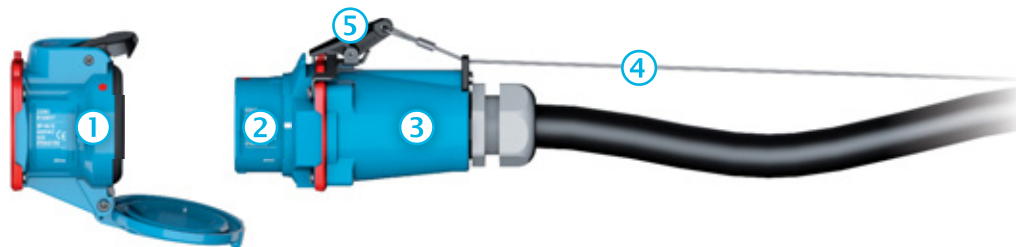
Step 3: The latch is fully raised, causing the automatic ejection of the socket.

# MECHANICAL SELF-EJECTING DSN/DS1/DS3/DS6/DXN

FIXED ELECTRIC  
POWER SUPPLY



EJECTING PLUG  
(INLET + HANDLE)



EJECTION RELEASE LEVER



EJECTION RELEASE LEVER

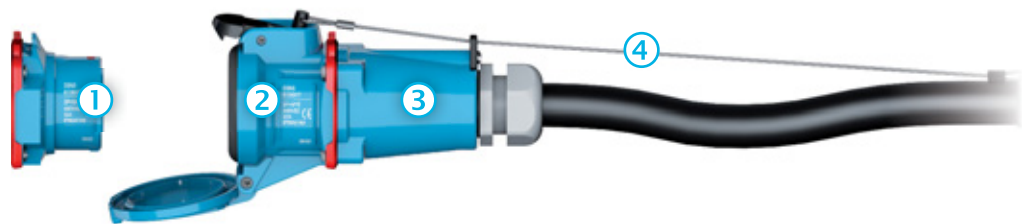
|                         | INDUSTRIAL RANGE                                   |  | ATEX RANGE   |
|-------------------------|--|--|--|
|                         | DSN*   | DS1/DS3/DS6*<br>(contact us for metal version<br>of DS9 and DS2) | DXN*   |
| 1 Socket-outlet         | Ref. +352  | Ref. +352  | Ref. +352  |
| 2 Inlet                 | Standard   | Standard   | Standard   |
| 3 Poly handles + eyelet | Ref. +443  | Ref. +443  | See references<br>in DXN accessories page.         |
| 4 Tension cord          | 311A336  | 311A336  | 251A336  |
| 5 Mechanism             | 611A338 (DSN1)<br>613A338 (DSN3)<br>616A338 (DSN6) | 311A338 (DS1)<br>313A338 (DS3)<br>316A338 (DS6)                  | 251A338 (DXN1)<br>253A338 (DXN3)<br>256A338 (DXN6) |

\* See the relevant product pages for the references of the plugs, socket-outlets and handles.



## MOBILE POWER SUPPLY SOURCE

### EJECTING COUPLER SOCKET (HANDLE + SOCKET- OUTLET)



|  | INDUSTRIAL RANGE |   | ATEX RANGE                                 |
|--|------------------|---|--|
|  | DSN *            | DS1/DS3/DS6 *<br>(contact us for metal version<br>of DS9 and DS2) | DXN *                                      |
| 1 Inlet  | Standard         | Standard  | Standard                                   |
| 2 socket outlet with ejection<br>release lever | Ref. +354        | Ref. +354   | Ref. +354                                  |
| 3 Poly handles + eyelet                        | Ref. +443        | Ref. +443   | See references<br>in DXN accessories page. |
| 4 Tension cord                                 | 311A336          | 311A336   | 251A336                                    |

**To fix the connector directly without a sleeve, please use a socket-outlet with a 180° opening option.**

\* See the relevant product pages for the references of the plugs, socket-outlets and handles.

# 30 A

230 V  
U MAXI

## ANTI ENGINE START UP PLUG PN



IP55



1-6 mm<sup>2</sup> (1)  
1,5-10 mm<sup>2</sup> (2)



GRP  
METAL



▶ IK09  
▶ IK09



-40 °C  
+60 °C

(1) Flexible wiring (min.-max.).  
(2) Stranded wiring (min.-max.).



GRP devices are not compatible with metal devices.

Standard self closing/self returning lid

### OTHER FEATURES

Reversed interior and contacts.

This PN features a special wiring configuration that prevents the vehicle from starting-up, if the plug is still connected. Safe operation is ensured and unintentional pull-out of the power supply system is avoided.





VEHICLE INLET  
PN



SOCKET-OUTLET  
on cable side  
(cap is included)  
PN

|       |              |               | VEHICLE INLET PN |               |             |
|-------|--------------|---------------|------------------|---------------|-------------|
|       |              |               | With latch       | Without latch |             |
| GRP   | 220-250 V AC | 1P+N+E +2aux. | 0124017825A      | 0124017001A   | 0128017001A |
| METAL | 220-250 V AC | 1P+N+E +2aux. | 0924017825A      | 0924017001A   | 0928017001A |

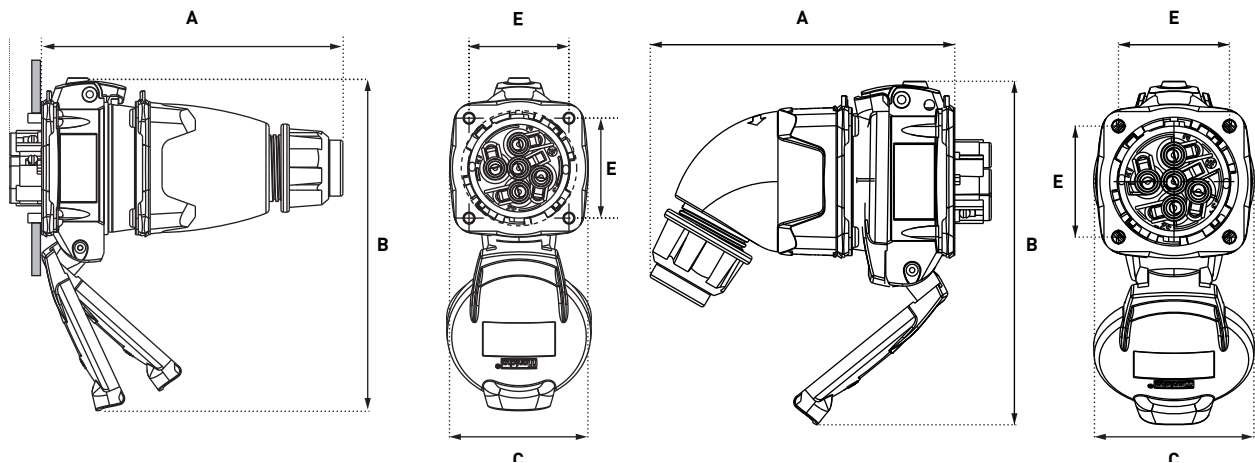
| HANDLE  | Cable outer Ø | Reference |
|---|---------------|-----------|
| <b>POLY HANDLE WITH GLAND</b>   |               |           |
|  | 9-18 mm       | 511P0D18  |

| HANDLE  | Cable outer Ø | Reference |
|---|---------------|-----------|
| <b>POLY HANDLE WITH GLAND</b>   |               |           |
|  60° | 9-18 mm       | 511P6D18  |

# DRAWINGS AND DIMENSIONS

|                        | A   | B   | C  | E  |
|------------------------|-----|-----|----|----|
| <b>Straight handle</b> | 127 | 140 | 58 | 42 |
| <b>Angled handle</b>   | 117 | 138 | 61 | 42 |

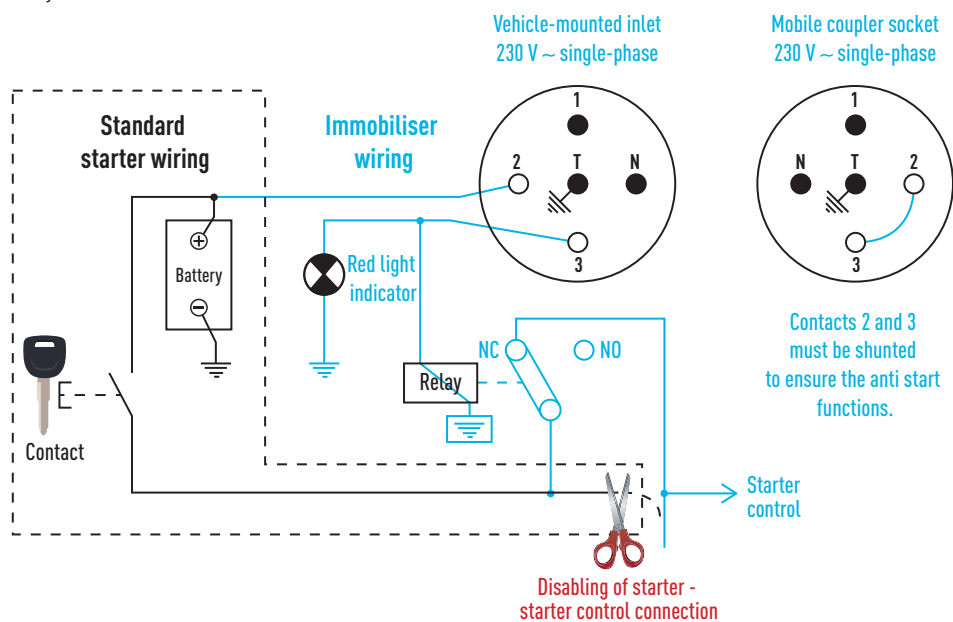
## PLUG ON SOCKET-OUTLET



## INFOS +

### WIRING DIAGRAM FOR THE VEHICLE-MOUNTED SOCKET-OUTLET (230 V AC)

(for information only)



# 20 A → 90 A

400 V  
U MAX

## DISTRIBUTION BOXES

POWER SUPPLY FOR  
AUXILIARY BATTERIES,  
AIR-CONDITIONING UNITS,  
TRAILERS, TANKERS...

### SAFE ELECTRICAL CONNECTIONS

our boxes ensure the safety of operators and the protection of mobile electrical installations.



IP66  
IP69 <sup>(1)</sup>



GRP



IK09



-40 °C  
+60 °C

(1) IP44 with domestic socket-outlets

### OTHER FEATURES CD BOXES

|                                      |   |
|--------------------------------------|---|
| Fastenings                           | Captive stainless steel screws                    |
| Wiring capacity                      | 2 x 1,5 mm <sup>2</sup> to 5 x 35 mm <sup>2</sup> |
| Cable entries                        | M50 max..   |
| Housing dimensions (W x H x D) in mm | 345 x 225 x 156                                   |
| Assembly                             | 10 modules max..                                  |

### LIQUID GAS TRANSFER BOX TECHNICAL FEATURES

|  |                          |
|--|--------------------------|
| Protection                                   | 30 mA                    |
| Earthing connection of the lorry is ensured. |                          |
| Fixation                                     | 300 x 300 mm             |
| Height                                       | 470 mm                   |
| Depth  | 250 mm                   |
| Cable glands                                 | M40 IP68 (Ø 20 to 32 mm) |



other configurations, circuit protection or dimensions are available on request. Please contact us.

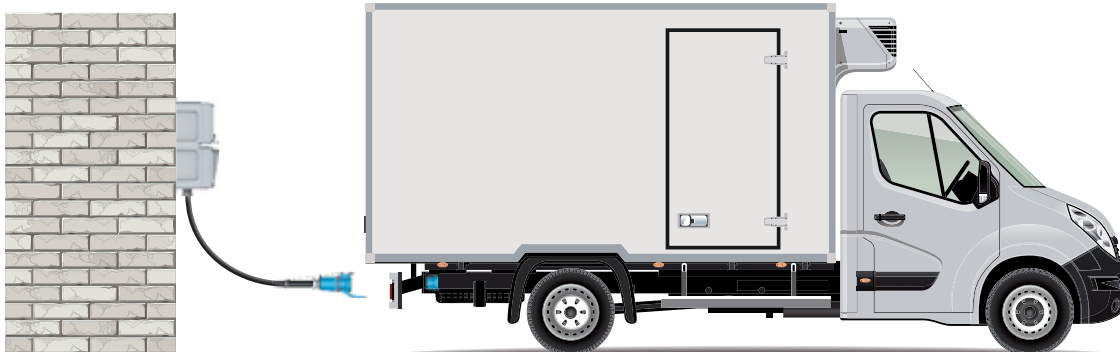
**EXAMPLES OF APPLICATIONS : PRE-WIRED BOX WITH DIFFERENTIAL PROTECTION FOR REMOTE POWER SUPPLY.**

Contact us for the references.

**CD box and RETTBOX®S for the power supply of a rescue vehicle.**



**CD box and self-ejection plug for the power supply of a refrigerated vehicle.**



**Liquid gas transfer box for power supply of a tanker.**



Specific documentation is available for these applications.

# DISTRIBUTION AND JUNCTION BOXES

## DISTRIBUTION AND JUNCTION

### CD DISTRIBUTION BOX



P. 202

### B2 JUNCTION BOXES



P. 204

### SB JUNCTION BOXES



P. 206

From 16 A up to 90 A  
Differential protection  
30 mA  
IP66/IP69  
water-and dust-tight  
Composed of two parts  
fixed on hinges  
Prewired with easy access  
to the connection terminals

IP66/IP67  
water-and dust-tight  
2 Dimensions  
(120x120x91 mm  
and 160x160x91 mm)  
Up to two drilled hole per  
side (M40 max.)  
Option with hinged lid.

Ideal solution for corrosive  
environment.  
AISI 316L stainless steel.  
Max. dimensions  
950x750x200mm  
Hinged lid.  
Internal mounting plate  
included.  
Optionnal drilled holes  
up to M80.





## SELECTION GUIDE

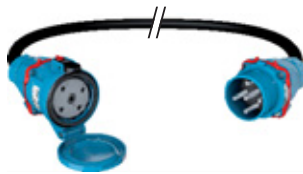
### CUSTOMISED SOLUTIONS

#### BOXES



P. 208

#### EXTENSIONS



#### CABLE REELS



In direct connection with its production of industrial electrical socket-outlets, MARECHAL ELECTRIC has the internal skills to offer you complete customized solutions. From cable assemblies to power distribution boxes.

BOXES

SOLUTIONS FOR TUNNEL APPLICATIONS  
PLEASE REFER TO PAGE 210



# 16 A → 90 A

440 V  
U<sub>MAXI</sub>

## DISTRIBUTION BOXES CD



IP66  
IP69 <sup>(1)</sup>



GRP



IK09



-40 °C  
+60 °C

(1) IP44 with domestic socket-outlets



**Pre-wired boxes.**  
For empty version,  
contact us.

### OTHER FEATURES

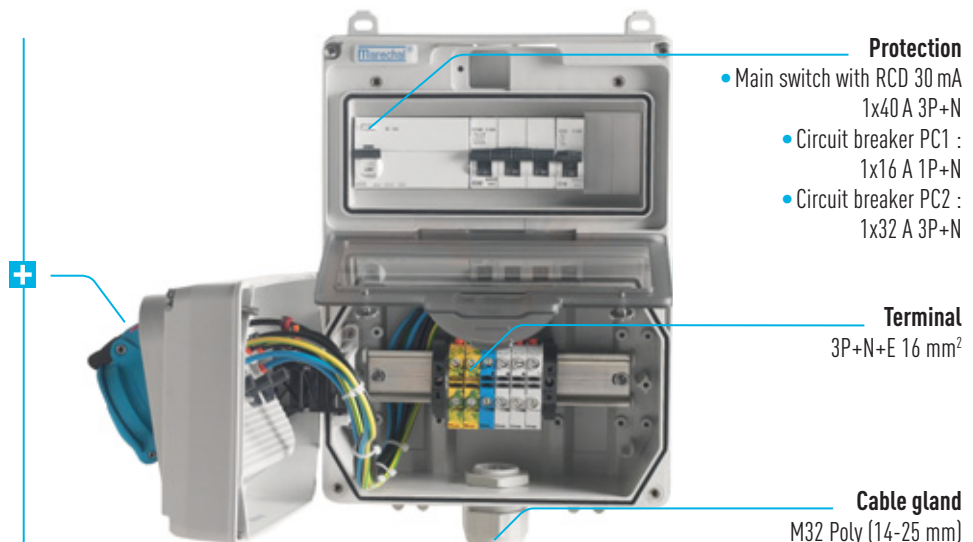
|                                  |   |
|----------------------------------|---|
| Fastenings                       | Captive stainless steel screws                    |
| Wiring capacity                  | 2 x 1,5 mm <sup>2</sup> to 5 x 35 mm <sup>2</sup> |
| Cable entries                    | M50 max.  |
| Housing dimensions (HxWxD) in mm | 342 x 225 x 156                                   |
| Assembly                         | 10 modules max.                                   |



**DECONTACTOR™ DSN1**  
16 A - 1P+N+E  
220-250 V



**DECONTACTOR™ DSN3**  
32 A - 3P+N+E  
220-250 V/380-440 V



### Protection

- Main switch with RCD 30 mA  
1x40 A 3P+N
- Circuit breaker PC1 :  
1x16 A 1P+N
- Circuit breaker PC2 :  
1x32 A 3P+N

### Terminal

3P+N+E 16 mm<sup>2</sup>

### Cable gland

M32 Poly (14-25 mm)

## INSIDE BOX COMPOSITION

| Box   | Main switch with RCD 30 mA | Circuit breaker Socket 1 | Circuit breaker Socket 2 | Terminal                  | Cable gland mm   |
|-------|----------------------------|--------------------------|--------------------------|---------------------------|------------------|
| CD1   |                            | 1x16 A 1P+N 30 mA        |                          | 1P+N+E 16 mm <sup>2</sup> | M25 POLY (9-18)  |
| CD2   | 1x25 A 1P+N                | 1x16 A 1P+N              | 1x16 A 1P+N              | 1P+N+E 16 mm <sup>2</sup> | M25 POLY (9-18)  |
| CD3   |                            | 1x16 A 3P+N 30 mA        |                          | 3P+N+E 16 mm <sup>2</sup> | M25 POLY (9-18)  |
| CD4   |                            | 1x16 A 3P 30 mA          |                          | 3P+E 16 mm <sup>2</sup>   | M25 POLY (9-18)  |
| CD5   | 1x25 A 3P+N                | 1x16 A 3P+N              | 1x16 A 3P+N              | 3P+N+E 16 mm <sup>2</sup> | M25 POLY (9-18)  |
| CD6*  |                            | + 2 fuses 6 A Gg         |                          | 1P+N+E 16 mm <sup>2</sup> | M25 POLY (9-18)  |
| CD7   | 1x25 A 1P+N                | 1x16 A 1P+N              | 1x16 A 1P+N              | 1P+N+E 16 mm <sup>2</sup> | M25 POLY (9-18)  |
| CD8   |                            | 1x32 A 1P+N 30 mA        |                          | 1P+N+E 16 mm <sup>2</sup> | M32 POLY (14-25) |
| CD9   | 1x40 A 1P+N                | 1x32 A 1P+N              | 1x32 A 1P+N              | 3P+N+E 16 mm <sup>2</sup> | M32 POLY (14-25) |
| CD10  |                            | 1x32 A 3P+N 30 mA        |                          | 3P+N+E 16 mm <sup>2</sup> | M32 POLY (14-25) |
| CD11  | 1x40 A 3P+N                | 1x32 A 3P+N              | 1x32 A 3P+N              | 3P+N+E 16 mm <sup>2</sup> | M32 POLY (14-25) |
| CD12  | 1x40 A 3P+N                | 1x16 A 1P+N              | 1x32 A 3P+N              | 3P+N+E 16 mm <sup>2</sup> | M32 POLY (14-25) |
| CD13  | 1x40 A 3P+N                | 1x16 A 1P+N              | 1x32 A 3P+N              | 3P+N+E 35 mm <sup>2</sup> | M40 POLY (18-32) |
| CD14  | 1x40 A 3P+N                | 1x16 A 1P+N              | 1x32 A 3P+N              | 3P+N+E 16 mm <sup>2</sup> | M32 POLY (14-25) |
| CD15  |                            | 1x63 A 3P+N 30 mA        |                          | 3P+N+E 16 mm <sup>2</sup> | M40 POLY (18-32) |
| CD16* | 1x25 A 3P+N                | + 2 fuses 6 A Gg         | 1x16 A 3P+N              | 3P+N+E 16 mm <sup>2</sup> | M32 POLY (14-25) |

\* CD6 and CD16 boxes are equipped with a 160 VA 230 V/24 V transformer. Maximum operating temperature: 40 °C

| Type | French standard socket 16 A - 230 V | 16 A socket  | 16 A socket |           |                        | 32 A socket |                        | 63 A socket            | Associated* MARECHAL® DECONTACTOR™ |             |
|------|-------------------------------------|--------------|-------------|-----------|------------------------|-------------|------------------------|------------------------|------------------------------------|-------------|
|      |                                     | 24 V         | 220-250 V   | 380-440 V | 220-250 V<br>380-440 V | 220-250 V   | 220-250 V<br>380-440 V | 220-250 V<br>380-440 V |                                    |             |
| Box  | 2P+E                                | 2P           | 1P+N+E      | 3P+E      | 3P+N+E                 | 1P+N+E      | 3P+N+E                 | 3P+N+E                 | DSN range                          | DS range    |
| CD1  |                                     |              | 1           |           |                        |             |                        |                        | 6114015CD1                         | 3114015CD1  |
| CD2  |                                     |              | 2           |           |                        |             |                        |                        | 6114015CD2                         | 3114015CD2  |
| CD3  |                                     |              |             |           | 1                      |             |                        |                        | 6114017CD3                         | 3114017CD3  |
| CD4  |                                     |              |             | 1         |                        |             |                        |                        | 6114013CD4                         | 3114013CD4  |
| CD5  |                                     |              |             |           | 2                      |             |                        |                        | 6114017CD5                         | 3114017CD5  |
| CD6  |                                     | 1            |             |           |                        |             |                        |                        | 611408ACD6                         | 311408ACD6  |
| CD7  | 1                                   |              | 1           |           |                        |             |                        |                        | 6114015CD7                         | 3114015CD7  |
| CD8  |                                     |              |             |           |                        | 1           |                        |                        | 6134015CD8                         | 3134015CD8  |
| CD9  |                                     |              |             |           |                        | 2           |                        |                        | 6134015CD9                         | 3134015CD9  |
| CD10 |                                     |              |             |           |                        |             | 1                      |                        | 6134017CD10                        | 3134017CD10 |
| CD11 |                                     |              |             |           |                        |             | 2                      |                        | 6134017CD11                        | 3134017CD11 |
| CD12 |                                     |              | 1           |           |                        |             | 1                      |                        | 6134017CD12                        | 3134017CD12 |
| CD13 |                                     |              | 1           |           |                        |             | 1                      |                        | 6134017CD13                        | 3134017CD13 |
| CD14 | 1                                   |              |             |           |                        |             | 1                      |                        | 6134017CD14                        | 3134017CD14 |
| CD15 |                                     |              |             |           |                        |             |                        | 1                      | 6164017CD15                        |             |
| CD16 |                                     | 1 (PN range) |             |           | 1                      |             |                        |                        | 6114017CD16                        | 3114017CD16 |

\* CD6 and CD16 boxes are equipped with a 160 VA 230V/24V transformer. Maximum operating temperature: 40 °C.

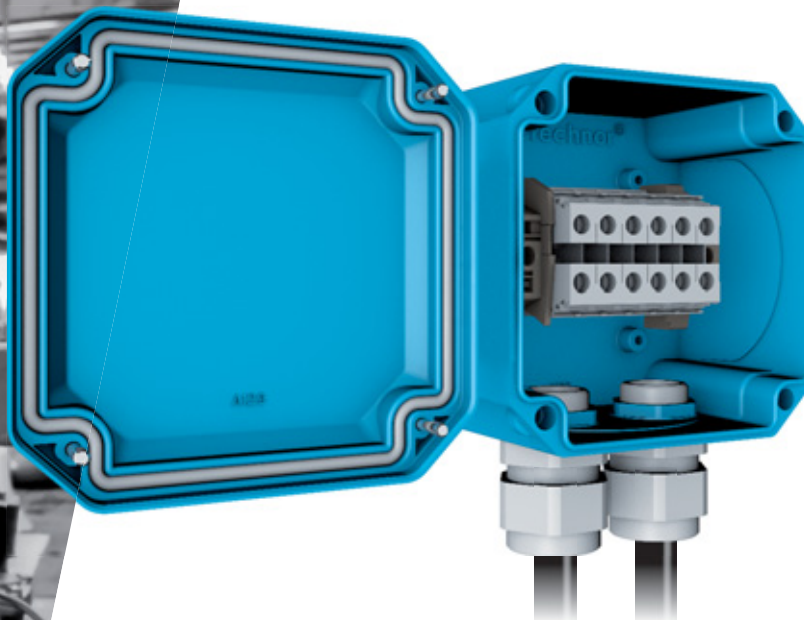
### INFOS +

The CD box can be mounted on a support.  
Support frame ref.: 9CHAS-CD



Other configurations on request.  
Please contact us where applications require more than 2 outlets.

# JUNCTION BOXES B2



IP66  
IP67



2 x 1,5 mm<sup>2</sup>  
» 5 x 35 mm<sup>2</sup>



GRP



IK08



-40 °C  
+60 °C

## OTHER FEATURES

|   |  |
|---|--|
| Fastenings  | Captive stainless steel screws   |
| Two dimensions (W x H x D) in mm                            | 120x120x91, up to two drilled holes per side (M32 max.)<br>160x160x91, up to two drilled holes per side (M32 max.) |
| Glow-wire flammability index according to IEC/EN 60695-2-12 | 850 °C   |
| Isolation voltage   | 1 000 V AC   |



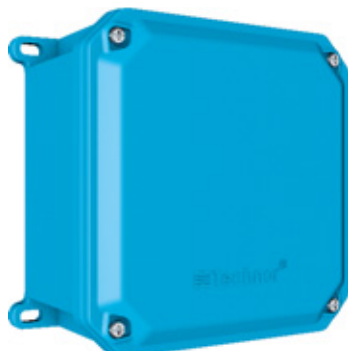
Box are supplied with a DIN rail and without drilled holes as a standard.

Please contact us for your specific configurations.

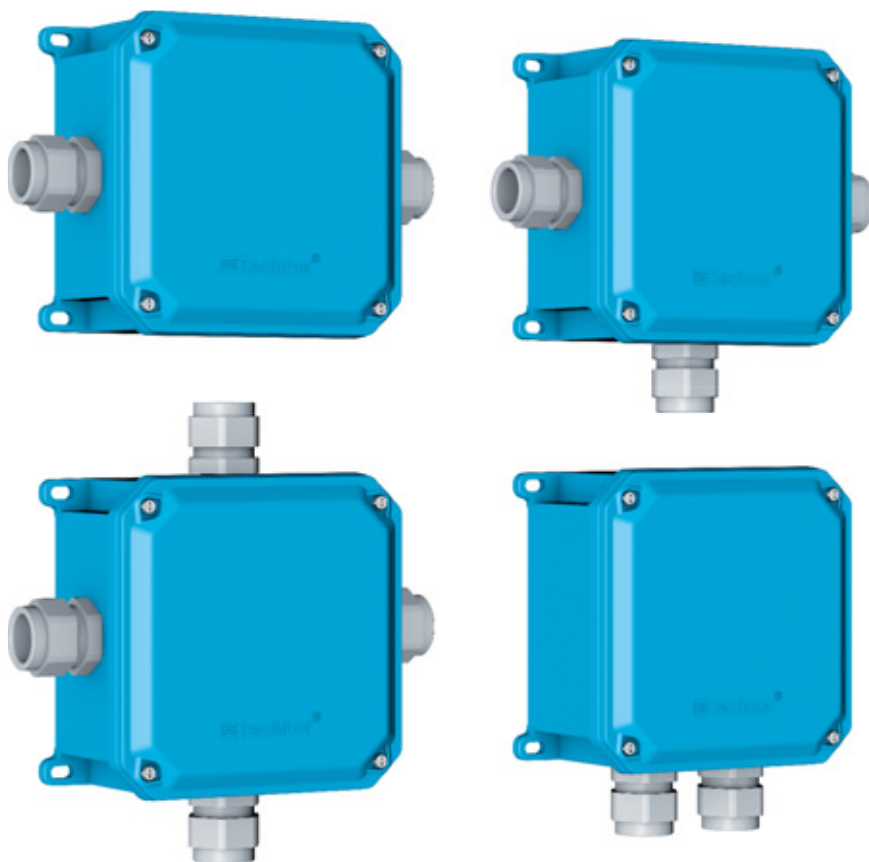
## TYPE

| TYPE                  | Reference |
|-----------------------|-----------|
| Empty box 120x120x91* | 509ACP1   |
| Empty box 160x160x91* | 509ACP2   |

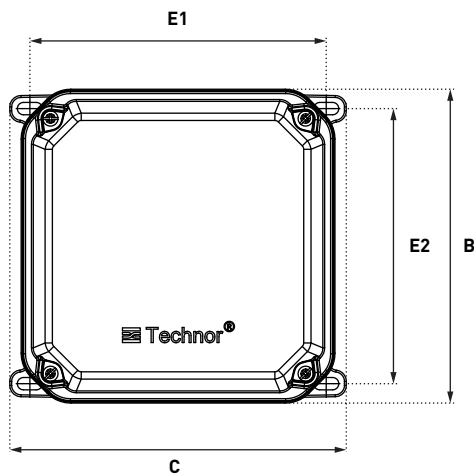
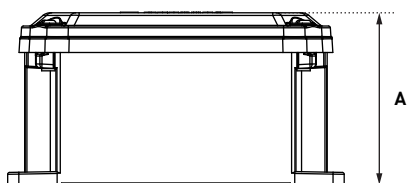
\*hinges are not included, earthing bar on request.



EXAMPLE CONFIGURATIONS



DRAWINGS AND DIMENSIONS



|         | A  | C   | B   | E1  | E2  |
|---------|----|-----|-----|-----|-----|
| 120x120 | 91 | 141 | 126 | 117 | 106 |
| 160x160 | 91 | 178 | 166 | 157 | 146 |

# JUNCTION BOX SB



IP66  
IP67



STAINLESS STEEL  
316L



IK10



-50 °C  
+95 °C

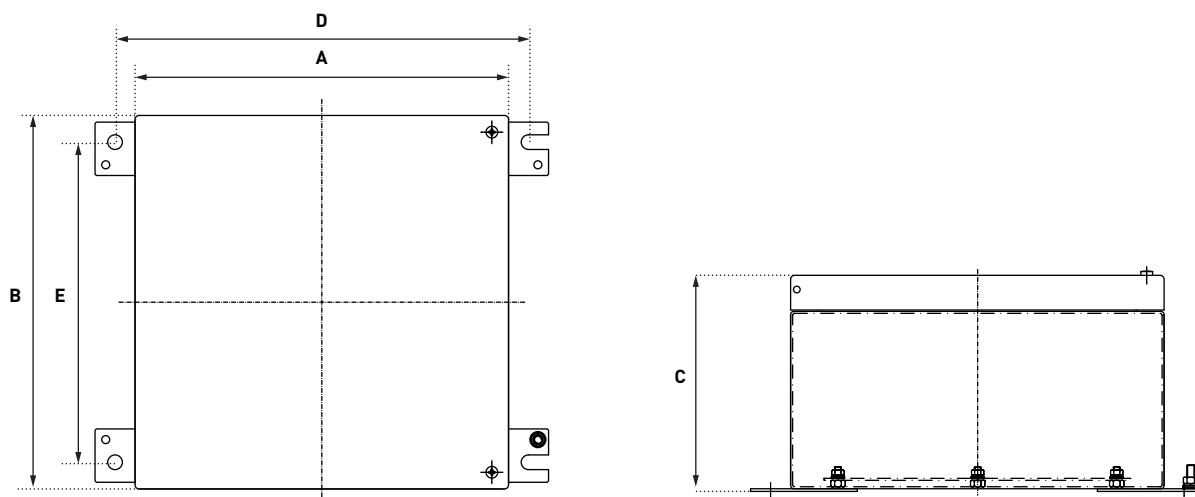
The SB is an IP66/IP67 junction box used for the most severe applications as in the food and beverage industry. All boxes sizes except the 150x150x100 version are equipped with:

- an internal mounting plate
- an earthing terminal
- a cable entry plate placed in the lower part of the box.

## OTHER FEATURES

|                                 |  |
|---------------------------------|--|
| Material                        | Stainless steel 316L - 1.5mm thickness |
| Fastenings                      | Stainless steel                        |
| Drilling (for cable glands)     | Up to M80                              |
| Hinged lid with silicon sealing |  |

## REFERENCES AND DIMENSIONS



| REFERENCE      | DIMENSIONS [mm] |     |     |     |     |
|----------------|-----------------|-----|-----|-----|-----|
|                | A               | B   | C   | D   | E   |
| B016Y12064815* | 150             | 150 | 100 | 180 | -   |
| B016Y12064816  | 200             | 200 | 160 | 230 | 160 |
| B016Y12064817  | 280             | 280 | 160 | 310 | 240 |
| B016Y12064818  | 350             | 350 | 160 | 380 | 310 |
| B016Y12064819  | 380             | 380 | 200 | 410 | 340 |
| B016Y12064820  | 500             | 500 | 200 | 530 | 460 |

\* Only fitted with a rail DIN.



## CUSTOMISED SOLUTIONS

BOXES, EXTENSIONS  
AND CABLE REEL

In direct connection with its production of industrial electrical socket-outlets, MARECHAL ELECTRIC has the internal skills to offer you complete customized solutions. From cable assemblies to power distribution boxes.

Contact us.





## EXAMPLE OF SOLUTIONS



Portable rubber box



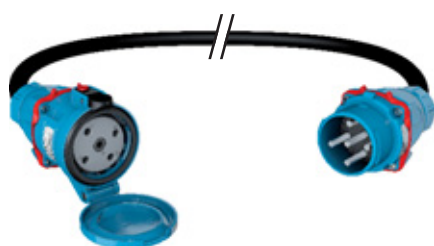
Automatic cable reel



Equipped cable reel



Boxes of all sizes and materials, GRP, sheet metal or stainless steel.



Extension cable









Portable service box




# SOLUTIONS FOR TUNNELS

## BOXES AND CONNECTORS

### JUNCTION BOXES

| MODEL  | APPLICATION                       | CONDUCTOR SECTION                              |
|--|-----------------------------------|--|
|  EXPRESS® XL                  | STANDARD LIGHTING                 | From 2.5 mm <sup>2</sup> to 35 mm <sup>2</sup> |
|  EXPRESS®                     | STANDARD LIGHTING                 | From 2.5 mm <sup>2</sup> to 35 mm <sup>2</sup> |
|  B2 FIRE-RESISTANT           | EMERGENCY LIGHTING                | From 1.5 mm <sup>2</sup> to 6 mm <sup>2</sup>  |
|  EXPRESS® XL FIRE-RESISTANT | EMERGENCY LIGHTING                | From 4 mm <sup>2</sup> to 35 mm <sup>2</sup>   |
|  EXPRESS® FIRE-RESISTANT    | EMERGENCY LIGHTING                | From 4 mm <sup>2</sup> to 35 mm <sup>2</sup>   |
|  EQINOX FIRE-RESISTANT      | EMERGENCY SIGNALLING, SIGNPOSTING | From 25 mm <sup>2</sup> to 120 mm <sup>2</sup> |

### BOXES AND CONNECTORS

| MODEL   | APPLICATION                |
|---|----------------------------|
|  FIRE DEPARTMENT BOX | SAFETY REFUGE              |
|  SAFETY BOXES        | SAFETY REFUGE              |
|  DS F400             | FANS AND SMOKE VENTILATORS |

| CABLE  | STANDARDS                            | PAGE   |
|--|--------------------------------------|--------|
| Through boxes with or without cable termination<br>Multi conductors (Ø 13 to 29 mm)          | /                                    | p. 214 |
| Through boxes with or without cable termination<br>Single or multi conductors (Ø 9 to 28 mm) | /                                    | p. 216 |
| Through boxes with cable termination<br>Single or multi conductors (Ø 2.5 à 25 mm)           | NF C 32-070<br>(DIN 4102-12 to come) | p. 218 |
| Through boxes with or without cable termination<br>Multi-conductors (Ø 13 to 29 mm)          | NF C 32-070<br>DIN 4102-12/E30       | p. 220 |
| Through boxes with or without cable termination<br>Single or multi conductors (Ø 9 to 28 mm) | NF C 32-070<br>EN 50362              | p. 222 |
| Through boxes with cable termination<br>Single or multi conductors                           | NF C 32-070<br>DIN 4102-12/E60       | p. 224 |

| FUNCTION  | STANDARDS                    | PAGE   |
|---|------------------------------|--------|
| Connection of electrical equipment for rescue teams inside tunnels. | /                            | p. 226 |
| Communication between different rescue teams inside tunnels.        | NF C 32-070                  | p. 228 |
| Local isolation for fans and smoke ventilators (400 °C/2h)          | IEC/EN 60947-3<br>EN 12101-3 | p. 230 |

# SOLUTIONS FOR TUNNELS

MARECHAL ELECTRIC proposes a wide range of products dedicated to the electric connections for tunnels. Based on technology specially designed for such difficult environments and the quick disconnections of lights, MARECHAL ELECTRIC has already equipped more than 2 000 km of underground roads, railroads and inland waterways...

our objectives remain the same: to provide user safety, optimise maintenance and make the work of the emergency services easier.

## PRODUCTS SUITED FOR SPECIAL TUNNEL ENVIRONMENTS

Very often in a tunnel, there is dust, stone projections, smoke, gas, moisture, water streaming and, of course, pollution. Electric connections in tunnels are subjected to extremely corrosive conditions. Designed to withstand such conditions, MARECHAL® boxes equipped with connectors or deconnectors provide safe solutions for tunnel maintenance.

## WATERTIGHTNESS

All boxes are watertight and withstand the use of high-pressure washing during tunnel maintenance.

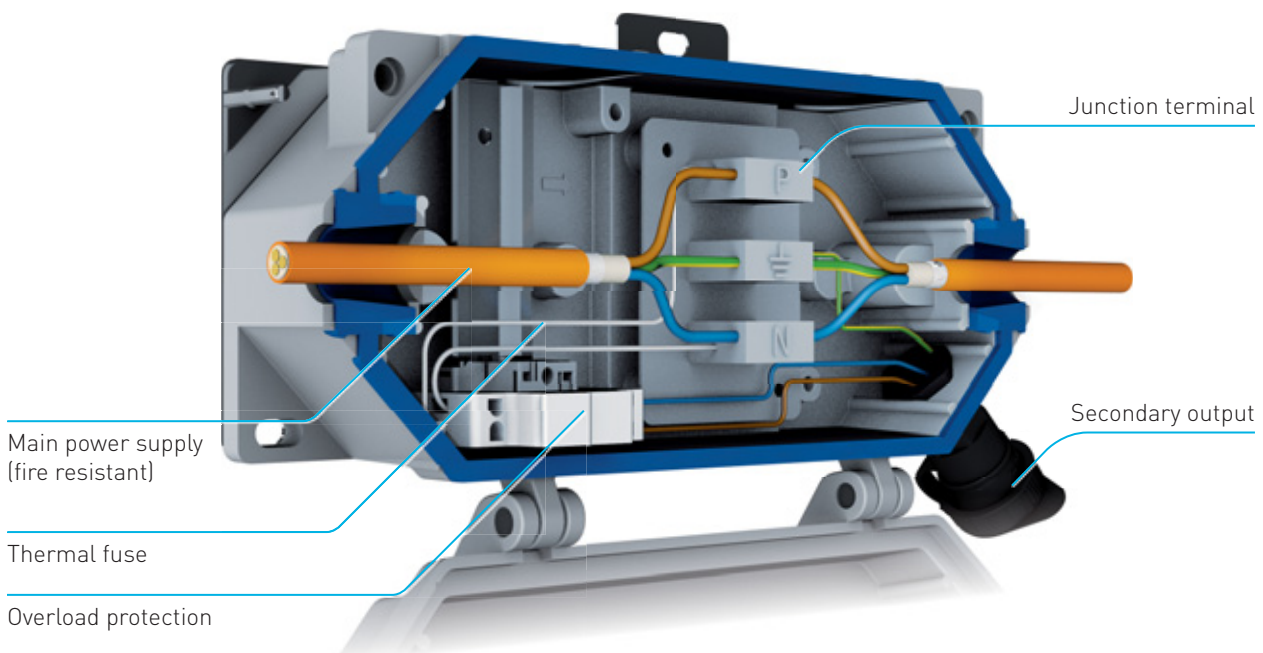
## CORROSION AND IMPACT RESISTANCE HALOGEN AND SMOKE FREE

For optimum safety, the materials used for making Marechal® boxes and connectors are resistant to corrosion and impact (resistance IK09). In case of fire, these materials emit a limited amount of non dangerous smoke.

## QUALITY CONNECTION AND EASY DISCONNECTION: USE OF BUTT-CONTACTS

Easy disconnection = easy maintenance: thanks to the MARECHAL® silver-nickel butt-contact technology, the contacts never weld. Therefore, the connection quality remains absolutely stable, and the disconnection can be done any time, even after several years.

## TYPICAL WIRING DIAGRAM OF OUR JUNCTION BOXES.





## STANDARDS AND CERTIFICATIONS

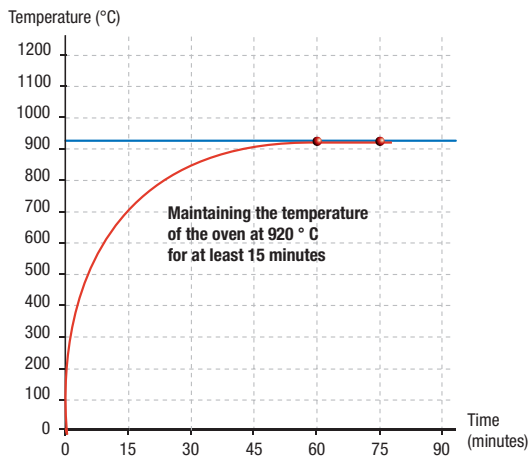
The use of Marechal solutions for tunnels facilitates the compliance of your infrastructure to:

- European Directive 2004/54/EC relating to tunnels in the road networks across Europe in terms of safety measures,
- for the transposition of the European Directive,
- in France:
  - to the application of text in the Highway Code relating to the safety of people in tunnels, as well as to inter-ministerial circulars No 2006-20 and 2000-63 (Annexe 2) on safety in tunnels and road networks.

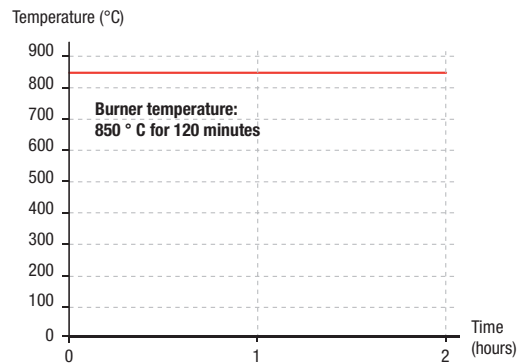
- the requirements of the CETU guide defining the behaviour of fire in road tunnels,
- according to the text relating to the Transport Code in terms of safety equipment.

MARECHAL® solutions for tunnels are compliant with the following fire resistance standards:

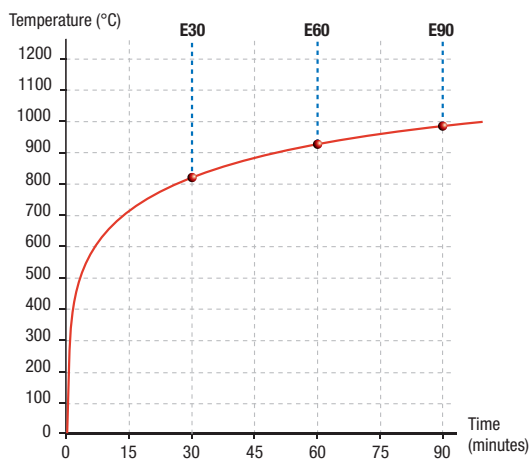
- EN 50362 (Europe) tested by the IMQ Italy laboratory,
- NF C 32-070 (France) tested by the laboratory C.S.T.B France,
- DIN 4102-12 (Germany) tested by the laboratory MPA Dresden GmbH,
- EN 12101-03 (Europe) tested by the laboratory EFECTIS France.



Oven temperature curve - Standardized time  
NF C 32-070 standard



Flame temperature curve - Time  
NF EN 50362 standard



Over temperature curve - Time  
DIN 4102 standard

## STANDARD LIGHTING

# BOX EXPRESS® XL



IP66



GRP



IK09

### OTHER FEATURES

|  |  |
|--|--|
| Service terminals                            | 2 to 5 insulation-piercing.  |
| Service protection                           | By circuit breaker fitted to DIN rail.   |
| Cables accepted                              | Armoured and unarmoured cables, stranded or flexible, from 2,5 mm <sup>2</sup> to 35 mm <sup>2</sup> , with an external diameter 13 to 29mm. Configuration with cable cut is also possible.                                  |
| Earthing point                               | Inside and outside the enclosure.  |
| Fire smoke class                             | M1F0   |
| Self extinguishing material                  | UL94 V-0   |
| Modularity box<br>Options<br>Other equipment | <ul style="list-style-type: none"> <li>• Secondary line wiring with MARECHAL® socket-outlet.</li> <li>• Accessories for fixing box to cable tray or ladder (option).</li> <li>• "Power On" signal light (option).</li> </ul> |

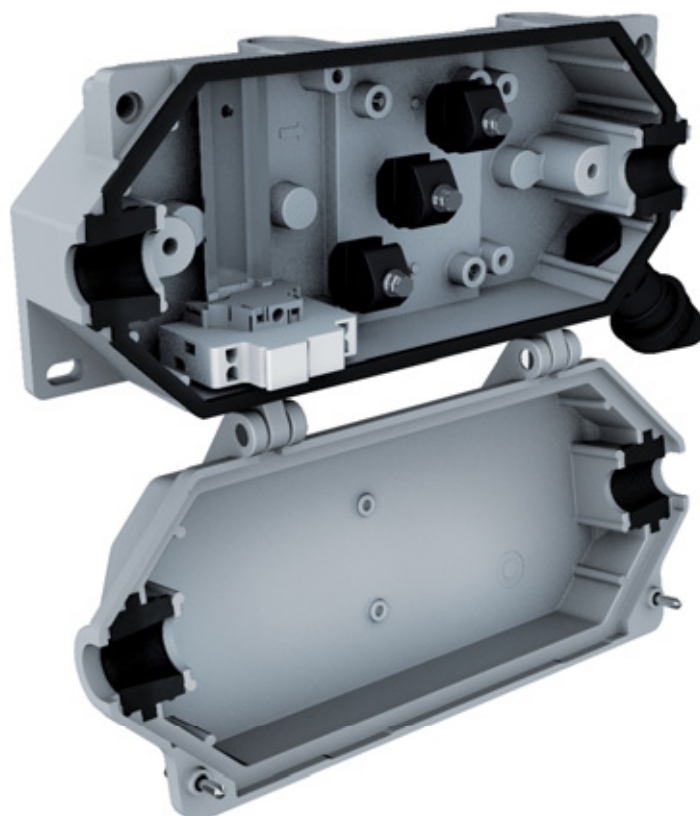
## REFERENCES AND DIMENSIONS

### JUNCTION BOX WITH OR WITHOUT THE NEED TO CUT THE CABLE

Made from halogen-free glass fibre reinforced polyester compound, these boxes allow a service tap-off from the main through cable with or without the need to strip or cut the main cable. Gaskets allow the immediate positioning of cables with a maximum diameter of 29 mm whilst creating an IP66 seal. The box lid mounted on a stainless steel axis is fixed to the box by means of captive stainless steel screws.

#### BOX EXPRESS® XL

| Type  | H x W x D in mm | Distribution  |
|-------|-----------------|---|
| 91250 | 175 x 362 x 99  | - Maximum 2 tap-offs using 2 sockets<br>- Maximum 4 tap-offs using glands |



## STANDARD LIGHTING

# BOX EXPRESS®



IP66



GRP



IK09

### OTHER FEATURES

|                             |   |
|-----------------------------|---|
| Service terminals           | 2 to 5 insulation-piercing.   |
| Service protection          | By circuit breaker fitted to DIN rail   |
| Cables accepted             | Armoured and unarmoured cables, stranded or flexible, from 2,5 mm <sup>2</sup> to 35 mm <sup>2</sup> , with an external diameter 9 to 28 mm. Configuration with cable cut is also possible. |
| Earthing point              | Inside and outside the enclosure  |
| Fire smoke class            | M1F0  |
| Self extinguishing material | UL94 V-0  |

Modularity box  
Options  
Other equipment

- Secondary line wiring with MARECHAL® socket-outlet.
- Accessories for fixing box to cable tray or ladder (option).
- "Power On" signal light (option).
- Plate for external fixing.
- Gasket for two cables\*.

\*Contact us for more details.



## REFERENCES AND DIMENSIONS

### JUNCTION BOX WITH OR WITHOUT THE NEED TO CUT THE CABLE

Made from halogen free glass fibre reinforced polyester compound, these boxes allow a service tap-off from the main through cable with or without the need to strip or cut the main cable. "Snail" type gaskets allow the immediate positioning of cables with a maximum diameter of 28 mm whilst creating an IP66 seal. The box lid, fitted with a retaining cord, is fixed to the box by means of captive stainless steel screws.

#### BOX EXPRESS®

| Type  | H x W x D in mm | Distribution  |
|-------|-----------------|---|
| 91150 | 191 x 254 x 111 | <ul style="list-style-type: none"> <li>- Maximum 2 tap-offs using 2 sockets</li> <li>- Maximum 4 tap-offs using glands</li> </ul> |

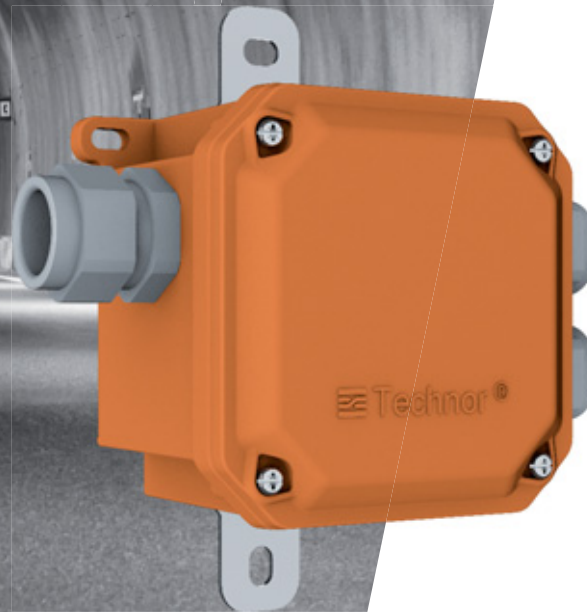


## EMERGENCY LIGHTING

# BOX B2 FIRE-RESISTANT

NF C 32-070 (DIN 4102-12 TO COME)

NEW



IP66  
IP67



2 x 1,5 mm<sup>2</sup>  
to 5 x 6 mm<sup>2</sup>



GRP



IK08



E90

### OTHER FEATURES

**Electrical continuity of the main power supply is guaranteed according to NF C 32-070 (DIN 4102-12 to come).**

|  |   |
|--|---|
| Service terminals                            | 2 to 5 ceramic-isolated steel junction terminals mounted on a specific stainless steel rail fixed to the wall through a stainless steel base plate.                             |
| Cables accepted                              | Armoured and unarmoured cables, stranded or flexible, from 1.5 mm <sup>2</sup> to 6 mm <sup>2</sup> .   |
| Earthing point                               | Inside and outside the enclosure.   |
| Modularity box<br>Options<br>Other equipment | <ul style="list-style-type: none"><li>• Secondary line wiring with MARECHAL<sup>®</sup> socket-outlet*.</li><li>• Accessories for fixing box to cable tray or ladder.</li></ul> |

\*Contact us for more details.

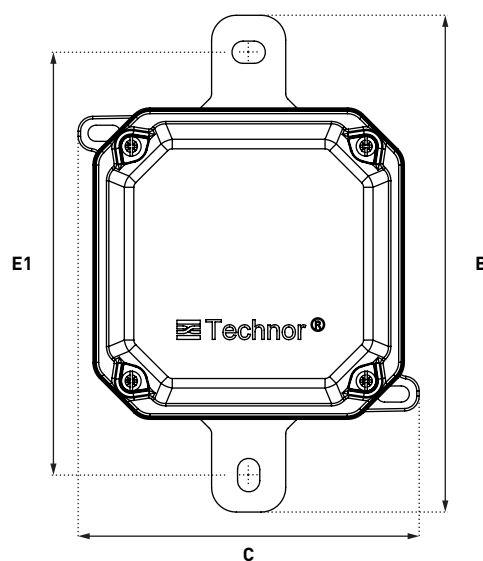
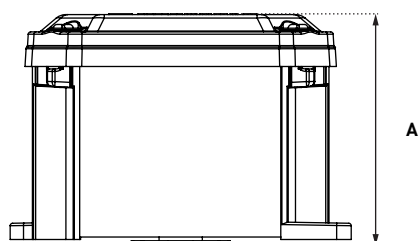
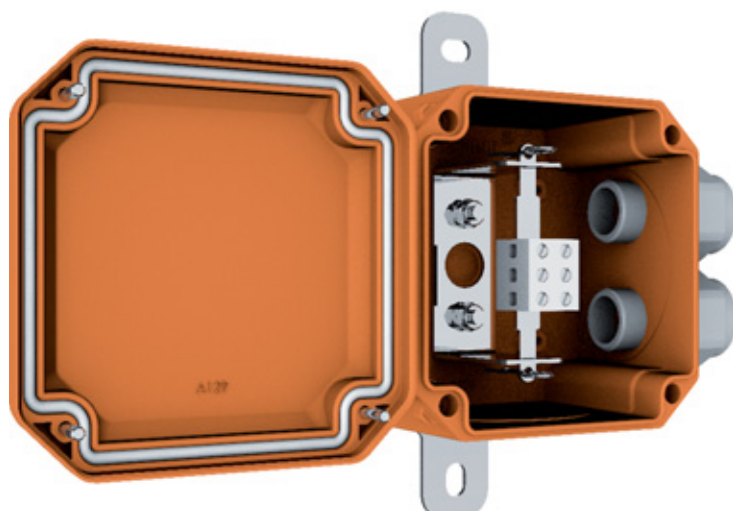
## REFERENCES AND DIMENSIONS

### FIRE-RESISTANT JUNCTION BOX

Made from polyamide, these boxes ensure the junction between one or more main through fire-resistant cables. The interconnection of crossing cables is performed thanks to ceramic-isolated steel junction terminals mounted on a specific steel rail. The box lid, which can be mounted on hinges as an option, is fixed by means of captive stainless steel screws.

#### BOX B2 FIRE-RESISTANT

| Reference | W x H x D in mm | Distribution                    |
|-----------|-----------------|---------------------------------|
| 91321     | 120 x 120 x 91  | Maximum 4 tap-offs using glands |
| 91361     | 160 x 160 x 91  | Maximum 4 tap-offs using glands |



|                | A  | E1  | B   | C   |
|----------------|----|-----|-----|-----|
| <b>120x120</b> | 94 | 171 | 201 | 138 |
| <b>160x160</b> | 94 | 215 | 245 | 178 |

## EMERGENCY LIGHTING

**BOX EXPRESS® XL**  
FIRE-RESISTANT

NF C 32-070  
DIN 4102-12



IP66



GRP



IK09



NF C 32-070  
DIN 4102-12

### OTHER FEATURES

**Electrical continuity of the main line is guaranteed according to NF C 32-070/DIN 4102-12 - E30 classification.**

|  |   |
|--|---|
| Tapping terminals                            | Quantities : up to 5 stainless steel terminals<br>Technology: Insulation piercing terminal, fixed on a ceramic base (NF C 32-070/DIN 4102-12), or aerial (DIN 4102-12).<br>Fixing: Wall mounted stainless steel plate by means of the box's plate.                                    |
| Tapping protection                           | By circuit breaker fitted to DIN rail   |
| Cables accepted                              | Armoured and unarmoured cables, stranded or flexible, from 4 mm <sup>2</sup> to 35 mm <sup>2</sup> , with an external diameter 13 to 29 mm. Configuration with cable cut is also possible.:   |
| Earthing terminal                            | Inside and outside the enclosure  |
| Fire smoke class                             | M1F0  |
| Self extinguishing material                  | UL94 V-0  |
| Modularity box<br>Options<br>Other equipment | <ul style="list-style-type: none"> <li>• Secondary line wiring with MARECHAL® socket-outlet.</li> <li>• Accessories for fixing box to cable tray or ladder (option).</li> <li>• "Power On" signal light (option).</li> <li>• Possibility to use non-perforating terminals.</li> </ul> |

## REFERENCES AND DIMENSIONS

### JUNCTION BOX WITH OR WITHOUT THE NEED TO CUT THE CABLE

Made from halogen-free glass fibre reinforced polyester compound, these boxes allow a service tap-off from the main through cable with or without the need to strip or cut the main cable. Gaskets allow the immediate positioning of fire resistant cables with a maximum diameter of 29 mm whilst creating an IP66 seal. The box lid mounted on a stainless steel axis is fixed to the box by means of captive stainless steel screws.

#### BOX EXPRESS® XL FIRE-RESISTANT

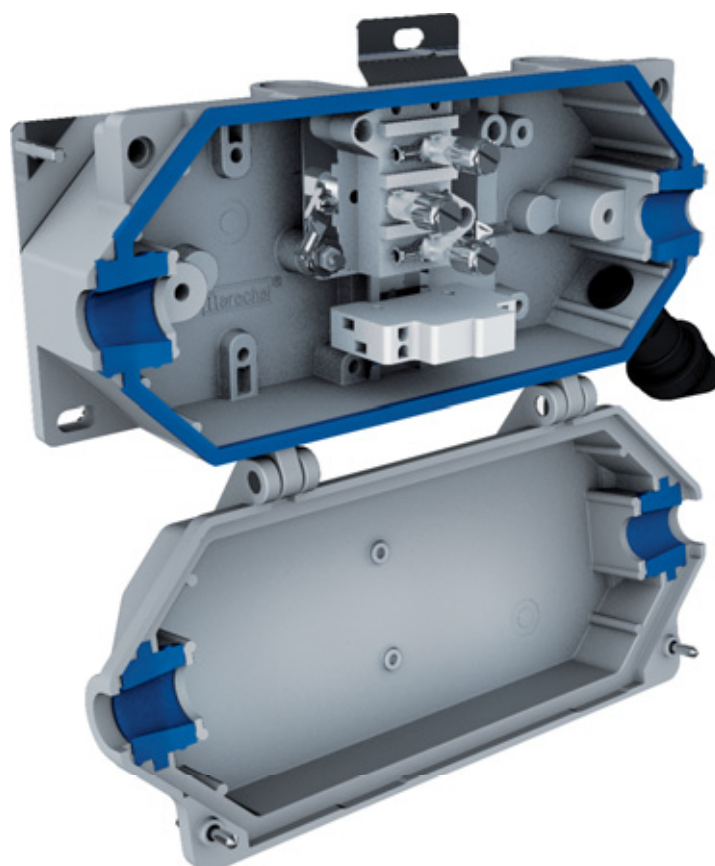
NF C 32-070

| Type  | Terminals | H x W x D in mm | Distribution  |
|-------|-----------|-----------------|---|
| 91251 | Ceramic   | 175 x 362 x 99  | - Maximum 2 tap-offs using 2 sockets<br>- Maximum 4 tap-offs using glands |

#### BOX EXPRESS® XL FIRE-RESISTANT

DIN 4102-12

| Type           | Terminals        | W x H x D in mm | Distribution  |
|----------------|------------------|-----------------|---|
| 91252<br>91253 | Ceramic<br>Loose | 175 x 361 x 99  | - Maximum 2 tap-offs using 2 sockets<br>- Maximum 4 tap-offs using glands |



## EMERGENCY LIGHTING

**BOX EXPRESS®**  
FIRE-RESISTANT

NF C 32-070  
EN 50362  
DIN 4102



IP66



GRP



IK09



NF C 32-070  
EN 50362/E30 DIN 4102

### OTHER FEATURES

**Electrical continuity of the main power supply is guaranteed according to NF C 32-070/EN 50362 - 850°C/120min classification and DIN 4102 classification E30.**

Service terminals

Quantités : Jusqu'à 5 bornes inox.  
Technologie : Borne à perforation d'isolant, montée sur une embase céramique (NF C 32-070/EN 50362), ou volante (EN 50362).  
Fixation : Platine inox, solidaire du mur par l'intermédiaire de la platine de fixation du coffret.

Service protection

By circuit breaker fitted to DIN rail

Cables accepted

Armoured and unarmoured cables, stranded or flexible, from 4 mm<sup>2</sup> to 35 mm<sup>2</sup> with an external diameter 9 to 28 mm.

Earthing point

Inside and outside the enclosure

Fire smoke class

M1F0

Self extinguishing material

UL94 V-0

Modularity box  
Options  
Other equipment

- Secondary line wiring with MARECHAL® socket-outlet.
- Accessories for fixing box to cable tray or ladder (option).
- "Power On" signal light (option).
- Possibility to use non-perforating terminals.
- Gasket for two cables\*.

\*Contact us for more details.

## REFERENCES AND DIMENSIONS

### FIRE-RESISTANT JUNCTION BOX

Made from halogen free glass fibre reinforced polyester compound or thermoplastic, these boxes allow a service tap-off from the main through cable without the need to strip or cut the main cable. "Snail" type gaskets allow the immediate positioning of fire resistant cables with a maximum diameter of 28 mm whilst creating an IP66 seal. The box lid, fitted with a retaining cord, is fixed to the box by means of captive stainless steel screws.

#### BOX EXPRESS® FIRE-RESISTANT

NF C 32-070

| Type  | Terminals | H x W x D in mm | Distribution  |
|-------|-----------|-----------------|---|
| 91151 | Ceramic   | 191 x 254 x 111 | - Maximum 2 tap-offs using 2 sockets<br>- Maximum 4 tap-offs using glands |

#### BOX EXPRESS® FIRE-RESISTANT

EN 50362

| Type  | Terminals | H x W x D in mm | Distribution  |
|-------|-----------|-----------------|---|
| 91154 | Loose     | 191 x 254 x 111 | - Maximum 2 tap-offs using 2 sockets<br>- Maximum 4 tap-offs using glands |

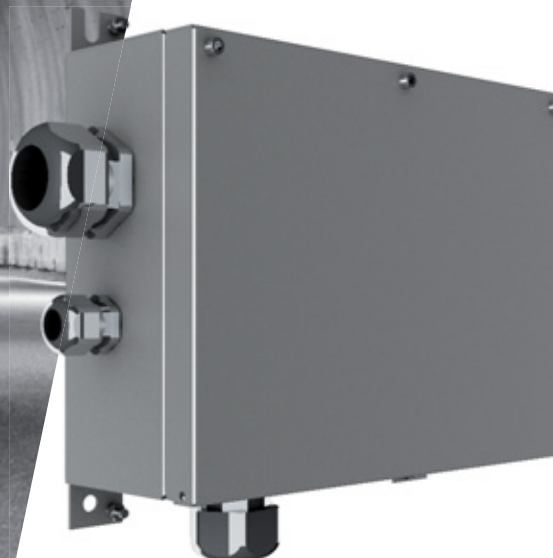


## EMERGENCY SIGNALLING, SIGNPOSTING

# BOX EQINOX FIRE-RESISTANT

NF C 32-070 + DIN 4102-12/E60

NEW



IP66/IP67



AISI 316L  
STAINLESS STEEL



IK10



NF C 32-070  
DIN 4102-12/E60

### OTHER FEATURES

**Electrical continuity of the main power supply is guaranteed according to NF C 32-070 (91141 type) and DIN 4102-12 (91142 type)**

|                    |  |
|--------------------|--|
| Service terminals  | 2 to 7 insulation-piercing, stainless steel terminals, fitted into a ceramic base.                   |
| Service protection | By circuit breaker fitted to DIN rail  |
| Cables accepted    | Armoured and unarmoured cables, stranded or flexible, from 25 mm <sup>2</sup> to 120 mm <sup>2</sup> |
| Earthing point     | Inside and outside the enclosure   |
| Fire smoke class   | M0   |

Modularity box  
Options  
Other equipment

- Secondary line wiring with MARECHAL® socket-outlet.
- "Power On" signal light (option).



## REFERENCES AND DIMENSIONS

### FIRE-RESISTANT JUNCTION BOX

Made from AISI 316L stainless steel, these boxes ensure the junction between one or more main through fire-resistant cables (in compliance with NF C 32-070 or DIN 4102 or E30/E60/E90 type). Cable glands are fire-resistant and the inter-connection of crossing cables is performed thanks to stainless steel terminals mounted on ceramic plates. The box lid mounted on hinges is fixed by means of captive stainless steel screws.

#### BOX EQINOX FIRE-RESISTANT

| Type  | Norm        | W x H x D in mm | Distribution  |
|-------|-------------|-----------------|---|
| 91141 | NF C 32-070 | 140x200x130     | Cable glands or MARECHAL® socket-outlets.<br>Number of inputs/outputs depending on configuration. |
| 91142 | DIN 4102-12 | 200x270x130     |   |
|       |             | 270x350x130     |   |
|       |             | 350x350x160     |   |
|       |             | 350x500x160     |   |
|       |             | 500x500x160     |   |



## TUNNEL REFUGE POINT

## FIRE BOXES



IP65  
IP66/IP69



ALUMINIUM  
GRP



IK09  
IK09

### OTHER FEATURES

Cables accepted

Armoured and unarmoured cables, stranded or flexible, from 2.5 mm<sup>2</sup> to 25 mm<sup>2</sup>

Service protection

30 mA differential breaker

Earthing point

Inside and outside the enclosure

## REFERENCES AND DIMENSIONS

### ALUMINIUM BOX

Especially developed in collaboration with emergency services who specialise in tunnel rescue, this box is installed in a refuge point. Made from aluminium, this box is composed of a back plate, an inclined cover with mounted socket-outlets and an inspection window.

Power supply of this box is performed using 5G16 cables (max. conductor section). The box lid is fixed by means of captive stainless steel screws.

#### ALUMINIUM box

| Type  | H x W x D in mm | Distribution   |
|-------|-----------------|--|
| 91277 | 345 x 280 x 125 | One or two MARECHAL® socket-outlet can be mounted on the inclined cover. |



### THERMOPLASTIC BOX

Natural evolution of the aluminum version, this enclosure has equivalent functions and increased environmental resistance with its IP66/IP69 level (high cleaning pressure) and the increased resistance to corrosion to protect from road-salting.

This box is composed of two parts fixed on hinges:

- a protection part, with a transparent window (locking key in option),
- an inclined cover with mounted socket-outlets.

Power supply of this box is performed using 5G25 cables (max. conductor section).

#### THERMOPLASTIC BOX

| Type        | H x W x D in mm | Distribution   |
|-------------|-----------------|--|
| 3134017CDxx | 342 x 225 x 156 | One or two MARECHAL® socket-outlet can be mounted on the inclined cover. |



## TUNNEL REFUGE POINT

# EMERGENCY SERVICE BOXES

NEW



IP66



AISI 316L  
STAINLESS STEEL



IK10



NF C 32-070

### OTHER FEATURES

**Electrical continuity of the main power supply is guaranteed according to NF C 32-070.**

Service terminals

2 to 5 stainless steel terminals mounted on ceramic plates.

Cables accepted

Armoured and unarmoured cables, stranded or flexible, from 1.5 mm<sup>2</sup> to 6 mm<sup>2</sup>

Earthing point

Inside and outside the enclosure

Fire smoke class

M0

## REFERENCES AND DIMENSIONS

### FIRE-RESISTANT SELF-POWERED PHONE BOX

Made from AISI 316L stainless steel, these boxes ensure the junction between the main through fire-resistant cable (CR1-C1 type in compliance with NF C 32-070)

Cable glands are fire-resistant and the inter-connection of crossing cables is performed thanks to stainless steel terminals mounted on ceramic plates.

The box lid mounted on hinges is fixed by means of captive stainless steel screws.

### SELF-POWERED PHONE BOX

| Type  | H x W x D in mm | Distribution                                     |
|-------|-----------------|--|
| 91141 | 270 x 200 x 130 | 2 outputs with MARECHAL® metal PN socket-outlet. |



# 125 A

# 690 V

U MAXI

## DECONTACTOR™ DS F400



# 400 °C/2H

### FIRE-RATED FOR TUNNEL JET FANS



IP66  
IP67



10 - 35 mm<sup>2</sup> (1)  
10 - 50 mm<sup>2</sup> (2)



METAL



IK09



400 °C/2h



AC-22  
AC-23



60947-3  
12101-3



2 AUX.



-40 °C  
+60 °C

(1) Flexible wiring (min.-max.).  
(2) Stranded wiring (min.-max.).  
Earthing cable section 35 mm<sup>2</sup> max.



Other configurations  
on request

### LOAD-BREAK CAPABILITY OF THE DECONTACTOR™

|   |                          |
|---|--------------------------|
| Load-break capability according to IEC/EN 60947-3/AC-22 | 125 A - 690 V            |
| Load-break capability according to IEC/EN 60947-3/AC-23 | 125 A-400 V - 63 A 690 V |
| Power kW AC-22/AC-23                                    | 110 kW/55 kW             |

### OTHER FEATURES

Electrical continuity of the main power supply is guaranteed according to EN 12101-3 - 400°C/120min classification.

Compliant with European Low Voltage Directive 2014/35/EU



SOCKET-OUTLET  
DS F400



INLET  
DS F400

|                          |              |            |             |
|--------------------------|--------------|------------|-------------|
| 380-440 V AC             | 3P+E         | 3964F13    | 3968F13     |
| 660-690 V AC             | 3P+E         | 3964F93    | 3968F93     |
| Auxiliaries 5 A/500 V AC | + 2 contacts | Ref. + 972 | Ref. + 972* |

\* Auxiliaries on connector side are shunted.

► Contact us for other configurations and references.


**DS F400 PLUGS AND SOCKET-OUTLETS FACILITATE THE COMPLIANCE OF:**


- electrical machinery
  - ▶ to the "Machinery" European Directive on isolating device,
  - ▶ to the standard EN 60204-1 : Safety of machinery-electrical equipment of machines,
  - ▶ to the standard EN ISO 14118 : Safety of machinery - Prevention of unexpected start-up.
- smoke ventilators to the standard EN 12101-3 (fire resistance classification F400: 400°C/2h)


**DS F400 plugs and socket-outlets comply with:**


- European Directives Low Voltage and RoHS (affixing of CE marking).
- REACH European Regulation,
- standard IEC/EN 60947-3 (dealing with the load breaking capacities of AC-22 and AC-23 utilization categories).

| OPTION  | Reference |
|---|-----------|
| LOCKING PIN FOR 2 PADLOCKS Ø 4 TO 8 mm (PADLOCKS NOT SUPPLIED)                    |           |
|  | Réf + 843 |

| WALL BOXES  | Input | Reference       |
|---|-------|-----------------|
| METAL BOX WITHOUT CABLE GLAND (+ EARTHING WIRE + METAL SLEEVE) UP TO 50 mm² - Contact us for special cables |       |                 |
|                          | 30°   | M25 574C3M25185 |
|   | 30°   | M32 574C3M32185 |
|   | 30°   | M40 574C3M40185 |
|   | 30°   | M50 574C3M50185 |

| METAL BOX WITH STRANDED CONDUCTOR WITH SECTION >50 mm²                              | Reference   |
|---|-------------|
|  | Contact us. |

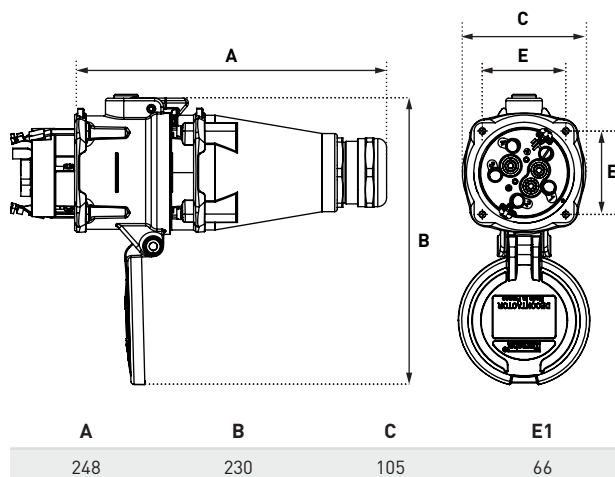
| HANDLES   | Input | Reference   |
|---|-------|-------------|
| METAL HANDLE WITHOUT CABLE GLAND (+ EARTHING WIRE) - Contact us for special cables  |       |             |
|  | M25   | 574P0M25185 |
|   | M32   | 574P0M32185 |
|   | M40   | 574P0M40185 |
|   | M50   | 574P0M50185 |

| CABLE GLAND   | Cable outer Ø | Input | Reference     |
|---|---------------|-------|---------------|
|  | 8 - 16 mm     | M25   | 9PEM25METAL+J |
|   | 16 - 24 mm    | M32   | 9PEM32METAL+J |
|   | 22 - 32 mm    | M40   | 9PEM40METAL+J |
|   | 34 - 44 mm    | M50   | 9PEM50METAL+J |

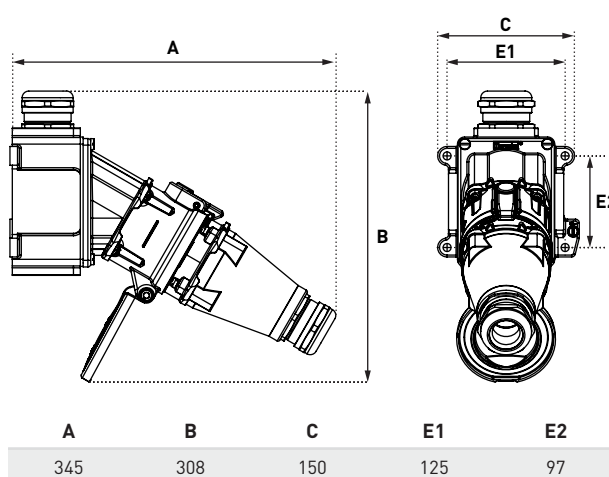
OUR CERTIFICATIONS



PLUG ON SOCKET OUTLET



PLUG ON SOCKET MOUNTED ON WALL BOX



# CONNECTORS



## DECONTACTOR™ AND PLUGS

| RANGE        | CURRENT | U MAX AC | MAX NB OF CONTACTS | MAX NUMBER OF AUX./PIL. | DECONTACTOR™ |
|--------------|---------|----------|--------------------|-------------------------|--------------|
| PNCX         | 5 A     | 250 V    | 4+E                | /                       | /            |
| DXN1         | 20 A    | 550 V    | 4+E                | /                       | Yes          |
| DXN1 z. 2-22 | 20 A    | 440 V    | 4+E                | 2 PIL.                  | /            |
| DXA1         | 20 A    | 550 V    | 4+E                | /                       | Yes          |
| DX1          | 20 A    | 750 V    | 4+E                | /                       | Yes          |
| DX3          | 32 A    | 750 V    | 4+E                | /                       | Yes          |
| DXN3         | 32 A    | 750 V    | 4+E                | 2 AUX.                  | Yes          |
| DXN3 z. 2-22 | 40 A    | 690 V    | 4+E                | 2 AUX.                  | /            |
| DXN6         | 63 A    | 750 V    | 4+E                | 2 AUX.                  | Yes          |
| DXN6 z. 2-22 | 63 A    | 1000 V   | 4+E                | 2 AUX.                  | /            |
| DX6          | 63 A    | 750 V    | 4+E                | /                       | Yes          |
| DX9          | 125 A   | 750 V    | 4+E                | /                       | Yes          |
| DX2          | 200 A   | 750 V    | 4+E                | /                       | Yes          |



## SINGLE POLE

|      |       |         |   |   |   |
|------|-------|---------|---|---|---|
| SPeX | 680 A | 1 000 V | 1 | / | / |
|------|-------|---------|---|---|---|



## MULTICONTACTS

|        |      |       |      |   |   |
|--------|------|-------|------|---|---|
| PXN12C | 10 A | 220 V | 11+E | / | / |
| DXN25C | 10 A | 440 V | 24+E | / | / |
| DXN37C | 10 A | 230 V | 36+E | / | / |



DOWNLOAD ALL TECHNICAL DATA SHEETS FROM  
OUR FROM OUR WEBSITE **MARECHAL.COM**

**SELECTION GUIDE**

| MATERIAL | IP             | IK   | ATEX ZONES   | PROTECTION MODE | PAGE |
|----------|----------------|------|--------------|-----------------|------|
| POLY     | IP66/IP67/IP69 | IK08 | 1, 2, 21, 22 | e, tb           | 236  |
| POLY     | IP66/IP67      | IK09 | 1, 2, 21, 22 | db eb, tb       | 238  |
| POLY     | IP66/IP67      | IK09 | 2, 22        | ec, tc          | 240  |
| METAL    | IP66/IP67      | IK10 | 1, 2, 21, 22 | db eb, tb       | 244  |
| METAL    | IP65           | IK10 | 1, 2, 21, 22 | d e, tD         | 248  |
| METAL    | IP65           | IK10 | 1, 2, 21, 22 | d e, tD         | 250  |
| POLY     | IP66/IP67      | IK09 | 1, 2, 21, 22 | db eb, tb       | 252  |
| POLY     | IP66/IP67      | IK09 | 2, 22        | ec, tc          | 254  |
| POLY     | IP66/IP67      | IK09 | 1, 2, 21, 22 | db eb, tb       | 258  |
| POLY     | IP66/IP67      | IK09 | 2, 22        | ec, tc          | 260  |
| METAL    | IP65/IP66      | IK10 | 1, 2, 21, 22 | d e, tD         | 264  |
| METAL    | IP65/IP66      | IK10 | 1, 2, 21, 22 | d e, tD         | 266  |
| METAL    | IP65/IP66      | IK10 | 1, 2, 21, 22 | d e, tD         | 268  |
| POLY     | IP65/IP66      | IK08 | 1, 2, 21, 22 | e, tb           | 272  |
| METAL    | IP65/IP66      | IK09 | 1, 2, 21, 22 | e or i, tb      | 278  |
| METAL    | IP66/IP67      | IK09 | 1, 2, 21, 22 | e or i, tb      | 282  |
| METAL    | IP66/IP67      | IK09 | 1, 2, 21, 22 | e or i, tb      | 286  |

## MAIN FEATURES

5 A

### PNCX CONNECTOR

II 2 G D Ex e IIC, Ex tb III C  
IP66/IP67/IP69  
GRP casing



#### PNCX CONNECTORS FACILITATE THE COMPLIANCE OF ELECTRICAL INSTALLATION TO:

- the national regulations relating to the improvement of safety and health of workers at work in France, Italy, Spain, Belgium,
- the installation standards: IEC/EN 60079-14, IEC/HD 60364 (international) and NF C 15-100 (France).

#### PNCX connectors comply with:

- ATEX European Directive (affixing "Ex" symbol and CE marking),
- RoHS Directive (affixing CE marking),
- REACH European Regulation,
- IEC/EN 61984, IEC/EN 60529, IEC/EN 62262, IEC/EN 60079-0, IEC/EN 60079-7 and IEC/EN 60079-31 international and European standards.

#### PNCX CERTIFICATION BODIES

PNCX are certified by LCIE (ATEX and IECEx), NANIO (TR CU EAC) and EXPLOLABS (SANS) (French, Russian and South African notified bodies).



20 A » 63 A

### DXN DECONTACTOR™

II 2 G D Ex db eb IIC, Ex tb III C  
IP66/IP67  
Breaking capacity  
GRP casing



**Zone 2-22**  
version available

#### DECONTACTOR™ DXN FACILITATE THE COMPLIANCE OF:

- electrical machinery to the Machinery European Directive regarding isolation device and to EN 60204-1 standard: Safety of machinery - electrical equipment of machines,
- electrical installation to French decree of 30 aout 2010 and 22 septembre 2010 relating to health and safety at work when using electrical installations,
- electrical installation to national regulation relating to the improvement of the safety and health of workers at work in Italy, Spain, Belgium,
- electrical installation to the installation standards: IEC/EN 60079-14, IEC/HD 60364 (international), NF C 15-100 (France) and CSA Z462 (Canada).

#### DECONTACTOR™ DXN comply with:

- ATEX European Directive (affixing "Ex" symbol and CE marking),
- RoHS Directive (affixing CE marking),
- REACH European Regulation,
- IEC/EN 60079-0, IEC/EN 60079-1, IEC/EN 60079-7, IEC/EN 60079-31, IEC/EN 60309-1 and IEC/EN 60309-4 standards.
- Bureau Veritas Marine specifications.

#### DXN CERTIFICATION BODIES

Products are certified by LCIE (ATEX and IECEx), NANIO (TR CU EAC), NCC (INMETRO), KGS (KCS), CLMEx (Japan), EXPLOLABS (SANS) and cCSAus (French, South Korean, Russian, Brazilian, English [for Japan] and American and Canadian\* notified bodies) and BUREAU VERTIAS MARINE.

(\* ) for North American market.





20A

## DXA1 DECONTACTOR™

II 2 G D Ex db eb IIC, Ex tb III C  
IP66/IP67

Breaking capacity

Low temperature resistance -55°C

Metal casing



30 A » 200 A

## DX DECONTACTOR™

II 2 G D Ex de IIC, tD A21, IP65

Breaking capacity

Metal casing

Padlocking when connected or disconnected



### DECONTACTOR™ DXA1 AND DX FACILITATE THE COMPLIANCE OF:

- electrical machinery to the Machinery European Directive regarding isolation device and to EN 60204-1 standard: Safety of machinery electrical equipment of machines,
- electrical installation to French decree of 30 aout 2010 and 22 septembre 2010 relating to health and safety at work when using electrical installations,
- electrical installation to national regulation relating to the improvement of the safety and health of workers at work in Italy, Spain, Belgium,
- electrical installation to the installation standards: IEC/EN 60079-14, IEC/HD 60364 (international), NF C 15-100 (France), CSA Z462 (Canada).

### DECONTACTOR™ DXA1 and DX comply with:

- ATEX European Directive (affixing "Ex" symbol and CE marking),
- RoHS Directive (affixing CE marking),
- REACH European Regulation,
- IEC/EN 60079-0, IEC/EN 60079-1, IEC/EN 60079-7, IEC/EN 60079-31, IEC/EN 60309-1, IEC/EN 60309-4 standards.

### DXA1 CERTIFICATION BODIES

Products are certified by LCIE (ATEX and IECEx), KGS (KCS), NANIO (TR CU EAC) and cCSAus (French, South Korean, Russian and American and Canadian\* notified bodies).

(\* for North American market.

### DX CERTIFICATION BODIES

Products are certified by LCIE (ATEX and IECEx), NANIO (TR CU EAC) and EXPLORLABS (SANS) (French, Russian, South African notified bodies).



# 5A

250 V  
U MAX

## CONNECTOR PNCX



MARECHAL ELECTRIC FRANCE

Ex II 2 G D      Ex e IIC    T6 Gb  
Ex tb IIIC    T72 °C Db  
-20 °C ≤ Ta ≤ +70 °C  
IECEx LCIE 16.0001X/LCIE 16 ATEX 3001X



IP66  
IP67  
IP69



0,75 mm<sup>2</sup>  
2,5 mm<sup>2</sup>



GRP



IK08



-20 °C  
+70 °C



ATEX



1, 2,  
21, 22

### OTHER FEATURES

|                           |  |
|---------------------------|--|
| Impulse withstand voltage | 5 kV                                     |
| Contact resistance        | <2 mΩ                                    |
| Casing/insulator          | Glass reinforced thermoplastics UL94 V-0 |
| Load cycles               | > 2 000 cycles                           |
| Salt mist                 | 50 000 hours                             |

### STANDARDS




|   |  |
|---|--|
| International and European IEC/EN standards | 61984, 60529, 62262, 60079-0, 60079-7 and 60079-31 |
| Protection mode                             | e, tb  |




# REFERENCES AND ACCESSORIES



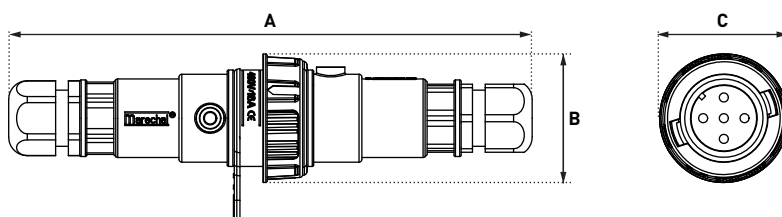
Coupler socket and plug caps are fitted as standard.

|               |          | SOCKET-OUTLET female (with lock nut) PNCX | INLET male (with lock nut) PNCX |
|---------------|----------|---|---------------------------------|
| 250 V AC      | 4P+T     | 06E4007                                   | 06E8007                         |
|               |          | COUPLER SOCKET female PNCX                | PLUG male PNCX                  |
| CABLE OUTER Ø | 10-14 mm | 06E3007                                   | 06E1007                         |

| OPTIONS   | Reference |
|---|-----------|
| <b>PROTECTIVE CAPS</b>  |           |
|  Socket-outlet cap | 01EA125   |
|  Inlet cap         | 01EA126   |
| <b>ADAPTER PLATE FOR DXN1 ACCESSORIES (SEE PAGE 239)</b>  |           |
|                    | 251A457-E |

| HANDLE  | Input/Cable outer Ø | Reference    |
|---|---------------------|--------------|
| <b>WITH INLET WITHOUT CABLE GLAND</b>   |                     |              |
|  | M20                 | 06E1007417   |
| <b>WITH SOCKET-OUTLET WITHOUT CABLE GLAND</b>                                       |                     |              |
|  | M20                 | 06E3007417   |
| CABLE GLAND   | Input/Cable outer Ø | Reference    |
|  | 5 - 9 mm            | 9PEM20EX-RED |

# DRAWINGS AND DIMENSIONS



| A   | B  | C  |
|-----|----|----|
| 185 | 45 | 45 |

# 20 A

# 550 V U MAX

## DECONTACTOR™ DXN1



MARECHAL ELECTRIC FRANCE

|  |              |        |
|--|--------------|--------|
| Ex II 2 GD                             | Ex db eb IIC | T* Gb  |
|  | Ex tb IIIC   | T* Db  |
| *-40 °C ≤ Ta ≤ +60 °C                  | T5           | T90 °C |
| -40 °C ≤ Ta ≤ +40 °C                   | T6           | T70 °C |
| IECEx LCI 09.0005X/LCIE 99 ATEX 6027 X |              |        |



IP66  
IP67



1-4 mm<sup>2</sup> (1)  
1,5-6 mm<sup>2</sup> (2)



GRP



IK09



-40 °C  
+60 °C



AC-22  
AC-23



ATEX



1, 2,  
21, 22

(1) Flexible wiring (min.-max.).  
(2) Stranded wiring (min.-max.).



Other configurations  
on request

### TEMPERATURE RATING

|                                  |  |
|----------------------------------|--|
| Gas temperature classes          | T6 for an ambient T° between -40 °C and +40 °C                 |
|                                  | T5 for an ambient T° between -40 °C and +60 °C                 |
| Dust surface temperature classes | Surface T° ≤ 70 °C for an ambient T° between -40 °C and +40 °C |
|                                  | Surface T° ≤ 90 °C for an ambient T° between -40 °C and +60 °C |

### STANDARDS

|   |  |
|---|--|
| International and European IEC/EN standards | 60079-0, 60079-1, 60079-7, 60079-31, 60309-1, 60309-4, 60947-3 |
| Protection mode                             | db eb, tb  |

### SOCKET-OUTLET

female  
DXN1



INLET\* male  
DXN1











|              |        |         |         |
|--------------|--------|---------|---------|
| 20-24 V AC   | 2P     | 251408A | 251808A |
| 220-250 V AC | 1P+N+E | 2514015 | 2518015 |
| 380-440 V AC | 3P+E   | 2514013 | 2518013 |
| 380-440 V AC | 3P+N+E | 2514017 | 2518017 |
| 480-500 V AC | 3P+E   | 2514093 | 2518093 |
| 480-500 V AC | 3P+N+E | 2514097 | 2518097 |






► Other currents, voltages, frequencies and contact configurations are available (see page 14).

\* inlet cap included.







Each socket outlet  
or inlet must be  
associated with a box,  
a sleeve or a handle.

| OPTIONS   | Reference               |
|---|-------------------------|
| <b>LOCKING PIN FOR 2 PADLOCKS Ø 4 TO 8 mm (PADLOCK NOT SUPPLIED)</b>                |                         |
|    | Socket-outlet ref. +843 |
| <b>SAFETY HASP FOR UP TO 6 PADLOCKS</b>   |                         |
|    | 399A541                 |
| <b>LARGER RELEASE BUTTON</b>  |                         |
|    | Ref. socket +453        |
| <b>INLET CAP IP66/IP67</b>  |                         |
|    | 251A426                 |
| <b>IN-LINE CONNECTIONS (A PAIR OF FINGER DRAW PLATES TO AID CLOSING)</b>            |                         |
|    | 611A346                 |
| <b>SELF CLOSING/SELF RETURNING LID</b>  |                         |
|   | Socket-outlet ref.+R    |
| <b>COMPATIBILITY WITH DSN SOCKET-OUTLET (INDUSTRIAL RANGE)</b>                      |                         |
|  | Contact us.             |
| <b>SELF-EJECTION</b>  |                         |
|  | See page 192            |

| WALL BOX  | Incline angle | Input/<br>Cable outer Ø | Reference                 |
|---|---------------|-------------------------|---------------------------|
| <b>WALL BOX POLY WITH EX POLY CABLE GLAND</b>                                       |               |                         |                           |
|    | 30°           | 5-10 mm                 | 251AB5316P                |
|   | 30°           | 10-14 mm                | 251AB53                   |
|   | 30°           | 12-18 mm                | 251AB5325P                |
| <b>WALL BOX POLY WITHOUT CABLE GLAND</b>  |               |                         |                           |
|    | 30°           | M20                     | 251AB53417                |
|   | 30°           | M25                     | 251AB53418                |
| <b>WALL BOX POLY WITH EX POLY CABLE GLAND</b>                                       |               |                         |                           |
|    | 70°           | 10-14 mm                | 251AB8820P                |
|   | 70°           | 12-18 mm                | 251AB8825P                |
|   | 70°           | 16-25 mm                | 251AB8832P                |
| <b>WALL BOX POLY WITH METAL CABLE GLAND WITH EARTH CONTINUITY</b>                   |               |                         |                           |
|  | 70°           | 8-10 mm                 | 251AB8820M                |
|   | 70°           | 12-14 mm                | 251AB8825M                |
|   | 70°           | 18-24 mm                | 251AB8832M                |
| <b>WALL BOX POLY WITH TERMINAL BLOCKS (IECEx LCIE 16.0042X/LCIE 16 ATEX 3054X)</b>  |               |                         |                           |
|  | 70°           | 10-14 mm                | 251A08820P <sup>(1)</sup> |
|   | 70°           | 12-18 mm                | 251A08825P <sup>(1)</sup> |

1. Delivered with two predrilled entries fitted with 1 cable gland and 1 stopping plugs, 8+2 terminals up to 4 mm<sup>2</sup> with 2.5 mm<sup>2</sup> wires. Wiring : 1-4 mm<sup>2</sup>. For other configurations, contact us.

| HANDLES   | Cable outer Ø | Reference  |
|---|---------------|------------|
| <b>POLY HANDLE WITH GLAND EX POLY</b>   |               |            |
|  | 10-14 mm      | 251A753    |
|   | 12-18 mm      | 251A25325P |
|   | 16-25 mm      | 251A25332P |
| <b>POLY HANDLE WITH EX POLY GLAND FOR SELF-EJECTION OPTION</b>                      |               |            |
|  | 10-14 mm      | 251A463    |
|   | 12-18 mm      | 251A44325P |
| <b>STRAIGHT POLY HANDLE WITH METAL CABLE GLAND WITH EARTH CONTINUITY</b>            |               |            |
|  | 8-10 mm       | 251A25320M |
|   | 12-14 mm      | 251A25325M |
|   | 18-24 mm      | 251A25332M |

| SLEEVE  | Incline angle | Reference |
|---|---------------|-----------|
| <b>INCLINED POLY SLEEVE</b>   |               |           |
|  | 30°           | 251A057   |
|   | 70°           | 251A757   |

# 20 A

440 V  
U MAXI

## ZONE 2-22 PLUGS & SOCKETS DXN1



MARECHAL ELECTRIC FRANCE

II 3 GD      Ex ec IIC    T\* Gc  
    Ex tc IIIC    T\* Dc  
 \* -40 °C ≤ Ta ≤ +60 °C    T5    T95 °C  
 -40 °C ≤ Ta ≤ +40 °C    T6    T75 °C  
 TF: MAR X 23.0002



IP66  
IP67



1-2,5 mm<sup>2</sup> (1)  
1,5-4 mm<sup>2</sup> (2)



GRP



IK09



-40 °C  
+60 °C



ATEX



2, 22



2 PIL.<sup>(3)</sup>

(1) Flexible wiring (min.-max.).  
(2) Stranded wiring (min.-max.).  
(3) Câblage souple 0,8 mm<sup>2</sup>.



Other configurations  
on request

### TEMPERATURE RATING

|                                  |  |
|----------------------------------|--|
| Gas temperature classes          | T6 for an ambient T° between -40 °C and +40 °C<br>T5 for an ambient T° between -40 °C and +60 °C                                 |
| Dust surface temperature classes | Surface T° ≤ 75 °C for an ambient T° between -40 °C and +40 °C<br>Surface T° ≤ 95 °C for an ambient T° between -40 °C and +60 °C |

### STANDARDS

|   |                            |
|---|----------------------------|
| International and European IEC/EN standards | 60079-0, 60079-7, 60079-31 |
| Protection mode                             | ec, tc                     |

### SOCKET-OUTLET

female  
DXN1



INLET\* male  
DXN1







| Voltage      | Contact Config | Socket-Outlet Part No. | Inlet Part No. |
|--------------|----------------|------------------------|----------------|
| 20-24 V AC   | 2P             | 251408AMZ2             | 251808AMZ2     |
| 220-250 V AC | 1P+N+E         | 2514015MZ2             | 2518015MZ2     |
| 380-440 V AC | 3P+E           | 2514013MZ2             | 2518013MZ2     |
| 380-440 V AC | 3P+N+E         | 2514017MZ2             | 2518017MZ2     |






► Other currents, voltages, frequencies and contact configurations are available (see page 14).  
\* inlet cap included.






Each socket outlet  
or inlet must be  
associated with a box,  
a sleeve or a handle.



| OPTIONS  | Reference            |
|--|----------------------|
| <b>SAFETY HASP FOR UP TO 6 PADLOCKS</b>  |                      |
|   | 399A541              |
| <b>LARGER RELEASE BUTTON</b>   |                      |
|   | Ref. socket +453     |
| <b>INLET CAP IP66/IP67</b>   |                      |
|   | 251A426              |
| <b>IN-LINE CONNECTIONS<br/>(A PAIR OF FINGER DRAW PLATES TO AID CLOSING)</b>       |                      |
|   | 611A346              |
| <b>SELF CLOSING/SELF RETURNING LID</b>   |                      |
|   | Socket-outlet ref.+R |
| <b>COMPATIBILITY WITH DSN SOCKET-OUTLET (INDUSTRIAL RANGE)</b>                     |                      |
|  | Contact us.          |

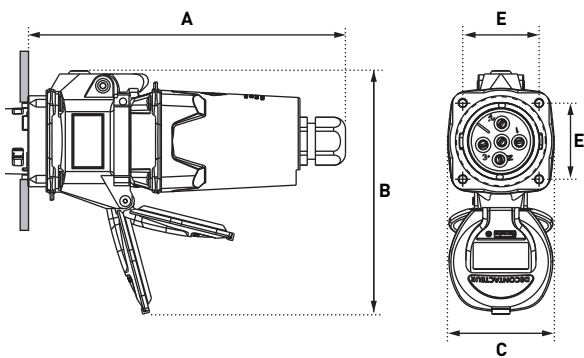
| WALL BOX  | Incline angle | Input/<br>Cable outer Ø | Reference  |
|---|---------------|-------------------------|------------|
| <b>WALL BOX POLY WITH EX POLY CABLE GLAND</b>                                       |               |                         |            |
|    | 30°           | 5-10 mm                 | 251AB5316P |
|   | 30°           | 10-14 mm                | 251AB53    |
|   | 30°           | 12-18 mm                | 251AB5325P |
| <b>WALL BOX POLY WITHOUT CABLE GLAND</b>  |               |                         |            |
|    | 30°           | M20                     | 251AB53417 |
|   | 30°           | M25                     | 251AB53418 |
| <b>WALL BOX POLY WITH EX POLY CABLE GLAND</b>                                       |               |                         |            |
|    | 70°           | 10-14 mm                | 251AB8820P |
|   | 70°           | 12-18 mm                | 251AB8825P |
|   | 70°           | 16-25 mm                | 251AB8832P |
| 120 X 120 mm  |               |                         |            |
| <b>WALL BOX POLY WITH METAL CABLE GLAND WITH EARTH CONTINUITY</b>                   |               |                         |            |
|  | 70°           | 8-10 mm                 | 251AB8820M |
|   | 70°           | 12-14 mm                | 251AB8825M |
|   | 70°           | 18-24 mm                | 251AB8832M |
| 120 X 120 mm  |               |                         |            |
| <b>WALL BOX POLY WITH TERMINAL BLOCKS<br/>(TF: MAR X 14.0001)</b>                   |               |                         |            |
|  | 70°           | 10-14 mm                | Contact us |
|   | 70°           | 12-18 mm                | Contact us |
| 120 X 120 mm  |               |                         |            |

| HANDLES   | Cable outer Ø | Reference  |
|---|---------------|------------|
| <b>POLY HANDLE WITH GLAND EX POLY</b>   |               |            |
|  | 10-14 mm      | 251A753    |
|   | 12-18 mm      | 251A25325P |
|   | 16-25 mm      | 251A25332P |
| <b>STRAIGHT POLY HANDLE WITH METAL CABLE GLAND WITH EARTH CONTINUITY</b>            |               |            |
|  | 8-10 mm       | 251A25320M |
|   | 12-14 mm      | 251A25325M |
|   | 18-24 mm      | 251A25332M |

| SLEEVE  | Incline angle | Reference |
|---|---------------|-----------|
| <b>INCLINED POLY SLEEVE</b>   |               |           |
|  | 30°           | 251A057   |
|   | 70°           | 251A757   |

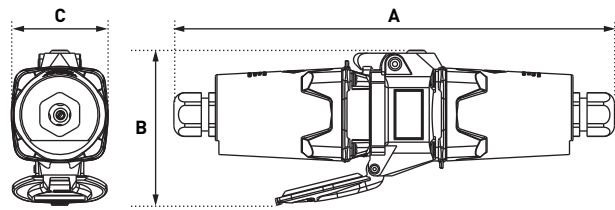
# DRAWINGS AND DIMENSIONS

**PLUG ON SOCKET-OUTLET**



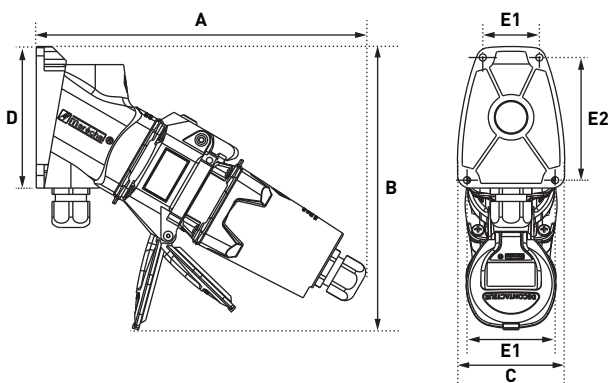
| A   | B   | C  | E  |
|-----|-----|----|----|
| 165 | 134 | 58 | 42 |

**COUPLER**



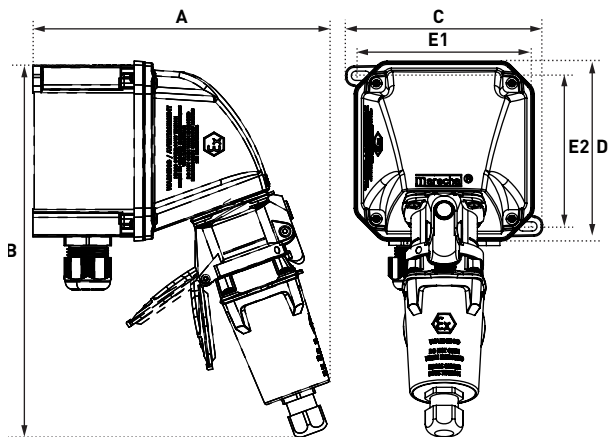
| A   | B  | C  |
|-----|----|----|
| 266 | 89 | 58 |

**PLUG ON 30° WALL MOUNTED SOCKET OUTLET**



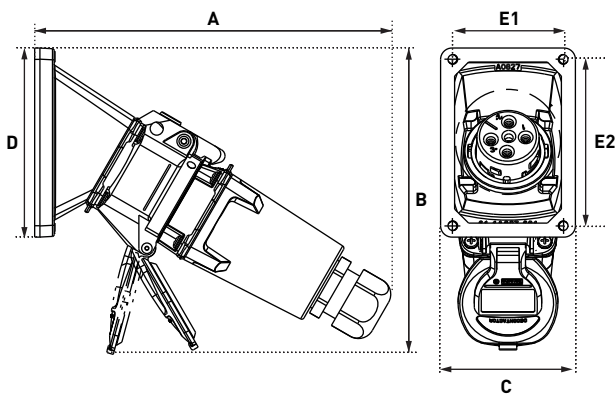
| A   | B   | C  | D  | E1    | E2 |
|-----|-----|----|----|-------|----|
| 209 | 180 | 68 | 90 | 36/56 | 79 |

**PLUG ON 70° WALL-MOUNTED SOCKET-OUTLET**



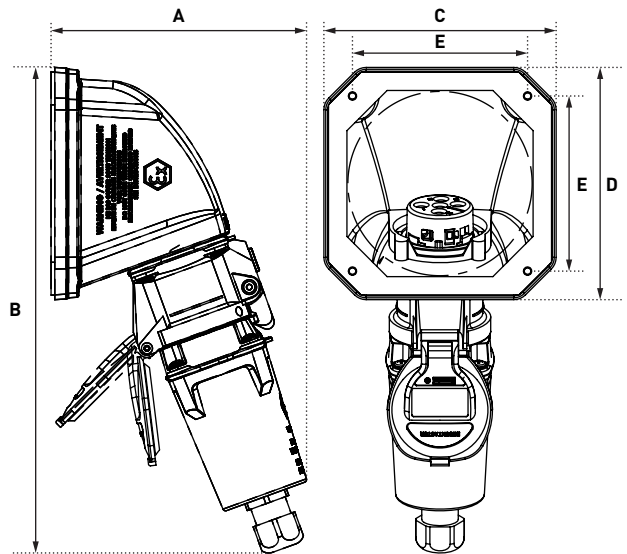
| A   | B   | C   | D   | E1  | E2    |
|-----|-----|-----|-----|-----|-------|
| 208 | 264 | 138 | 126 | 117 | 105.5 |

**PLUG ON 30° INCLINED SOCKET-OUTLET**



| A   | B   | C  | D   | E1 | E2 |
|-----|-----|----|-----|----|----|
| 203 | 175 | 77 | 108 | 64 | 96 |

**PLUG ON 70° INCLINED SOCKET-OUTLET**



| A   | B   | C   | D   | E  |
|-----|-----|-----|-----|----|
| 139 | 264 | 126 | 126 | 95 |



# 20 A

550 V  
U MAXI

## DECONTACTOR™ DXA1



MARECHAL ELECTRIC FRANCE

Ex II 2 G D

Ex db eb IIC T\* Gb  
Ex tb IIIC T\* Db

-55 °C ≤ Ta ≤ +40 °C T6 T68 °C

-55 °C ≤ Ta ≤ +60 °C T5 T88 °C

LCIE 15 ATEX 3033X/IECEx LCIE 15.0030X



IP66  
IP67



1-4 mm<sup>2</sup> (1)  
1,5-6 mm<sup>2</sup> (2)



METAL



IK10



-55 °C  
+60 °C



AC-22  
AC-23



ATEX



1, 2,  
21, 22



EMC

(1) Flexible wiring (min.-max.).  
(2) Stranded wiring (min.-max.).

### TEMPERATURE RATING

Gas temperature classes

T6 for an ambient T° between -55 °C and +40 °C

T5 for an ambient T° between -55 °C and +60 °C

Dust surface temperature classes

Surface T° ≤ 68 °C for an ambient T° between -55 °C and +40 °C

Surface T° ≤ 88 °C for an ambient T° between -55 °C and +60 °C

### STANDARDS

International and European  
IEC/EN standards

60079-0, 60079-1, 60079-7, 60079-31, 60309-1, 60309-4, 60947-3

Protection mode

db eb, tb

**SOCKET-OUTLET**  
female  
DXA1



**PLUG** male  
DXA1



|              |        |         |         |
|--------------|--------|---------|---------|
| 220-250 V AC | 1P+N+E | 2914015 | 2918015 |
| 380-440 V AC | 3P+E   | 2914013 | 2918013 |
| 380-440 V AC | 3P+N+E | 2914017 | 2918017 |

**WALL MOUNTING**  
socket female  
DXA1



**PLUG** male  
DXA1



|              |        |     |          |                      |                      |
|--------------|--------|-----|----------|----------------------|----------------------|
| 220-250 V AC | 1P+N+E | M20 | 8-13 mm  | 2914015 + 291A053    | 2918015 + 291A963    |
| 220-250 V AC | 1P+N+E | M25 | 9-16 mm  | 2914015 + 291A05325M | 2918015 + 291A95325M |
| 220-250 V AC | 1P+N+E | M32 | 12-21 mm | 2914015 + 291A653    | 2918015 + 291A95332M |
| 380-440 V AC | 3P+E   | M20 | 8-13 mm  | 2914013 + 291A053    | 2918013 + 291A963    |
| 380-440 V AC | 3P+E   | M25 | 9-16 mm  | 2914013 + 291A05325M | 2918013 + 291A95325M |
| 380-440 V AC | 3P+E   | M32 | 12-21 mm | 2914013 + 291A653    | 2918013 + 291A95332M |
| 380-440 V AC | 3P+N+E | M20 | 8-13 mm  | 2914017 + 291A053    | 2918017 + 291A963    |
| 380-440 V AC | 3P+N+E | M25 | 9-16 mm  | 2914017 + 291A05325M | 2918017 + 291A95325M |
| 380-440 V AC | 3P+N+E | M32 | 12-21 mm | 2914017 + 291A653    | 2918017 + 291A95332M |

**INCLINED SOCKET**  
female  
DXA1



**INCLINED APPLIANCE** inlet male  
DXA1



|              |        |                   |                   |
|--------------|--------|-------------------|-------------------|
| 220-250 V AC | 1P+N+E | 2914015 + 291A027 | 2918015 + 291A027 |
| 380-440 V AC | 3P+E   | 2914013 + 291A027 | 2918013 + 291A027 |
| 380-440 V AC | 3P+N+E | 2914017 + 291A027 | 2918017 + 291A027 |

**COUPLER SOCKET**  
female  
DXA1






**WALL MOUNTING**  
appliance inlet male  
DXA1



|              |        |     |          |                      |                      |
|--------------|--------|-----|----------|----------------------|----------------------|
| 220-250 V AC | 1P+N+E | M20 | 8-13 mm  | 2914015 + 291A963    | 2918015 + 291A053    |
| 220-250 V AC | 1P+N+E | M25 | 9-16 mm  | 2914015 + 291A95325M | 2918015 + 291A05325M |
| 220-250 V AC | 1P+N+E | M32 | 12-21 mm | 2914015 + 291A95332M | 2918015 + 291A653    |
| 380-440 V AC | 3P+E   | M20 | 8-13 mm  | 2914013 + 291A963    | 2918013 + 291A053    |
| 380-440 V AC | 3P+E   | M25 | 9-16 mm  | 2914013 + 291A95325M | 2918013 + 291A05325M |
| 380-440 V AC | 3P+E   | M32 | 12-21 mm | 2914013 + 291A95332M | 2918013 + 291A653    |
| 380-440 V AC | 3P+N+E | M20 | 8-13 mm  | 2914017 + 291A963    | 2918017 + 291A053    |
| 380-440 V AC | 3P+N+E | M25 | 9-16 mm  | 2914017 + 291A95325M | 2918017 + 291A05325M |
| 380-440 V AC | 3P+N+E | M32 | 12-21 mm | 2914017 + 291A95332M | 2918017 + 291A653    |

► Other currents, voltages, frequencies and contact configurations are available (see page 14).

| OPTIONS   | Reference  |
|---|------------|
| <b>LOCKING PIN FOR 2 PADLOCKS Ø 4 TO 8 mm (PADLOCKS NOT SUPPLIED)</b>               |            |
|  | Ref. + 843 |
| <b>INLET CAP IP66/IP67</b>  |            |
|  | 291A426    |
| <b>IN-LINE CONNECTIONS (A PAIR OF FINGER DRAW PLATES TO AID CLOSING)</b>            |            |
|  | 291A346    |

**For other Ex cable glands, contact us.**



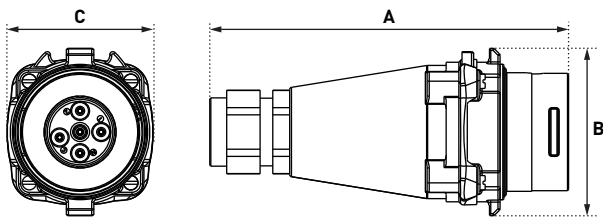
**ELECTROMAGNETIC COMPATIBILITY (EMC)** **NEW**



Please order an Ex EMC cable gland to be found on page 318.

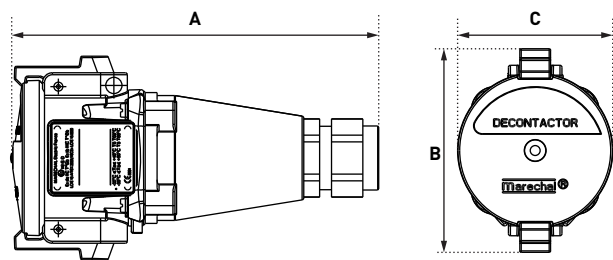
# DRAWINGS AND DIMENSIONS

**PLUG**



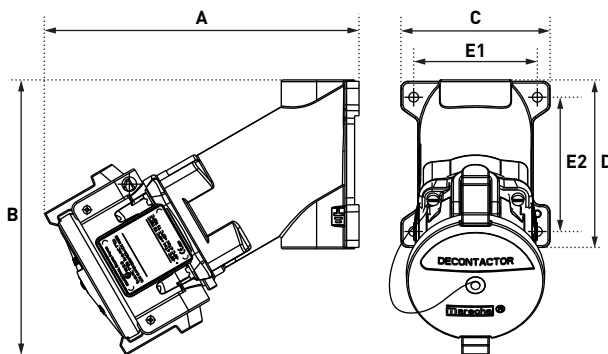
| A   | B  | C  |
|-----|----|----|
| 170 | 79 | 70 |

**MOBILE SOCKET**



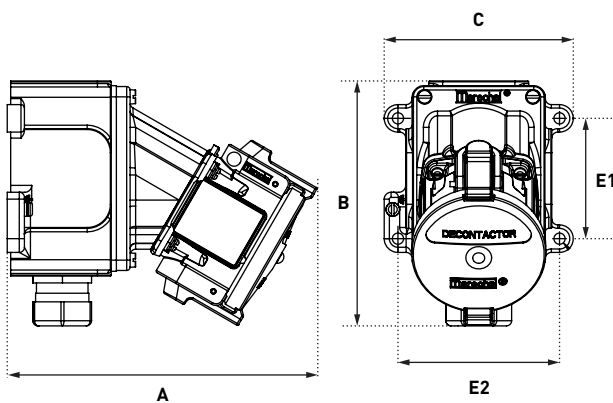
| A   | B   | C  |
|-----|-----|----|
| 185 | 103 | 78 |

**SOCKET MOUNTED ON 30° WALL BOX M20 - M25**



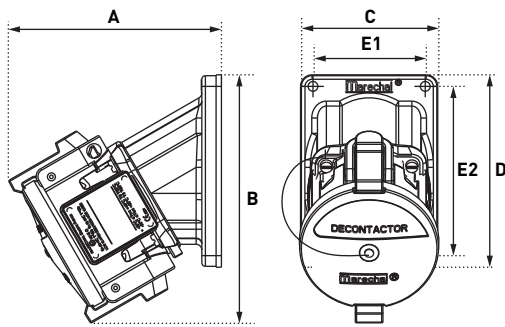
| A   | B   | C  | D  | E1 | E2 |
|-----|-----|----|----|----|----|
| 178 | 156 | 84 | 95 | 70 | 76 |

**SOCKET MOUNTED ON 30° WALL BOX M32**



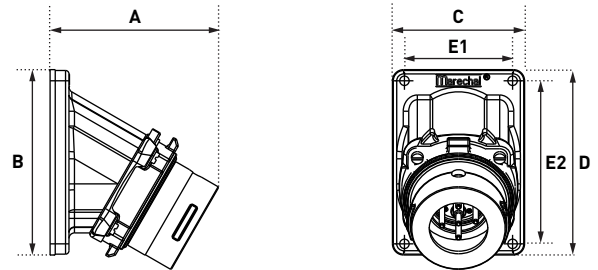
| A | B | C | D | E1 | E2 |
|---|---|---|---|----|----|
|   |   |   |   |    |    |

**SOCKET ON 30° INCLINED SLEEVE**



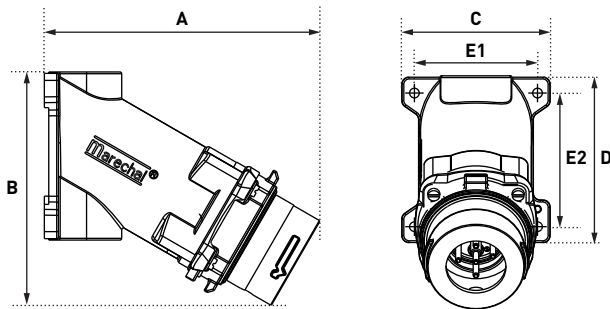
| A   | B   | C  | D   | E1 | E2 |
|-----|-----|----|-----|----|----|
| 120 | 140 | 77 | 108 | 63 | 95 |

**PLUG ON 30° INCLINED SLEEVE**



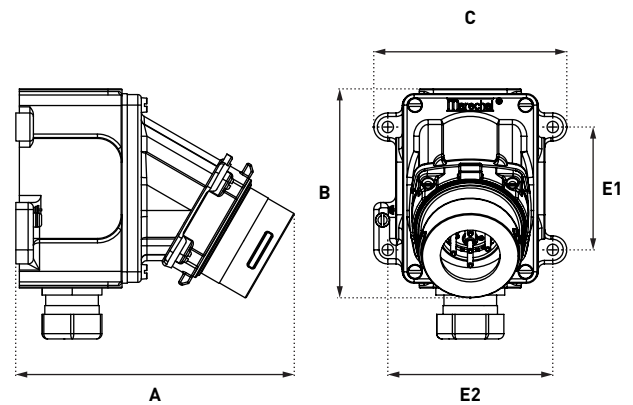
| A  | B   | C  | D   | E1 | E2 |
|----|-----|----|-----|----|----|
| 98 | 117 | 77 | 108 | 63 | 95 |

**PLUG ON 30° WALL BOX M20 - M25**



| A   | B   | C  | D  | E1 | E2 |
|-----|-----|----|----|----|----|
| 157 | 133 | 84 | 95 | 70 | 76 |

**PLUG ON 30° WALL BOX M32**



| A   | B   | C   | E1 | E2 |
|-----|-----|-----|----|----|
| 159 | 119 | 110 | 70 | 94 |

# 20 A

750 V  
U MAX

## DECONTACTOR™ DX1



MARECHAL ELECTRIC FRANCE

II 2 G D      Ex de IIC    tD A21  
 -25 °C ≤ Ta ≤ +60 °C    T5    T84 °C  
 -25 °C ≤ Ta ≤ +50 °C    T6    T74 °C  
 IECEx LCI 09.0014/LCIE 05 ATEX 6127



IP65



2,5-10 mm<sup>2</sup> (1)



METAL



IK10



-25 °C  
+60 °C



ATEX



1, 2,  
21, 22



EMC

(1) Flexible and stranded wiring (min.-max.).



Other configurations  
on request

Locking position  
connected or  
disconnected by  
lockable shaft.

### STANDARDS

International and European  
IEC/EN standards

60079-0, 60079-1, 60079-7, 60079-31, 60309-1, 60309-4,

Protection mode

de, tD



Each socket outlet  
or inlet must be  
associated with a box,  
a sleeve or a handle.

**SOCKET-OUTLET**  
female  
DX1



**INCLINED  
APPLIANCE**  
inlet  
DX1



**PLUG**  
male  
DX1




|              |        |         |         |         |         |
|--------------|--------|---------|---------|---------|---------|
| 220-250 V AC | 1P+N+E | 2624015 | 2626015 | 8-13 mm | 2621015 |
| 380-440 V AC | 3P+E   | 2624013 | 2626013 | 8-13 mm | 2621013 |
| 380-440 V AC | 3P+N+E | 2624017 | 2626017 | 8-13 mm | 2621017 |


► Other currents, voltages, frequencies and contact configurations are available (see page 14).




# REFERENCES ACCESSORIES

| WALL BOX  | Cable gland entry | Cable outer Ø | Reference  |
|---|-------------------|---------------|------------|
| <b>WALL BOX METAL 90°<br/>EX METAL CABLE GLAND INCLUDED*</b>                      |                   |               |            |
|  | M20               | 8-13 mm       | 262AB53    |
|   | M25               | 9-16 mm       | 262AB5325M |
|   | M32               | 12-21 mm      | 262AB5332M |

\* Optional versions for earth continuity are available, please contact us

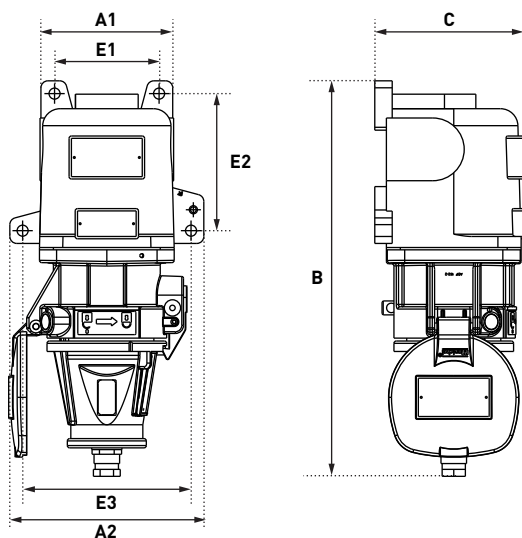
| HANDLES   | Cable gland entry | Cable outer Ø | Reference  |
|---|-------------------|---------------|------------|
| <b>STRAIGHT HANDLE METAL<br/>BOX EX METAL CABLE GLAND INCLUDED*</b>               |                   |               |            |
|  | M20               | 8-13 mm       | 262A963    |
|   | M25               | 9-16 mm       | 262A95325M |
|   | M32               | 12-21 mm      | 262A95332M |

| OPTIONS   | Reference |
|---|-----------|
| <b>INLET CAP IP66/IP67</b>  |           |
|  | 262A926   |

| ELECTROMAGNETIC COMPATIBILITY (EMC)   | NEW  |
|---|--|
|  | Please order a metal accessory herewith, together with a Ex EMC cable gland to be found on page 318. |

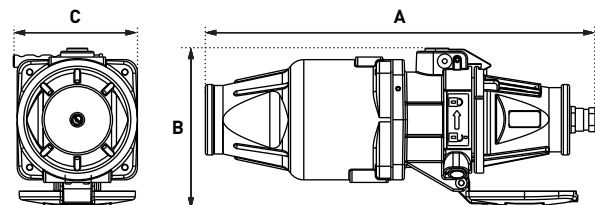
# DRAWINGS AND DIMENSIONS

**PLUG ON WALL MOUNTED SOCKET**



| A1  | A2  | B   | C   | E1 | E2  | E3  |
|-----|-----|-----|-----|----|-----|-----|
| 115 | 145 | 341 | 129 | 90 | 118 | 168 |

**COUPLER**

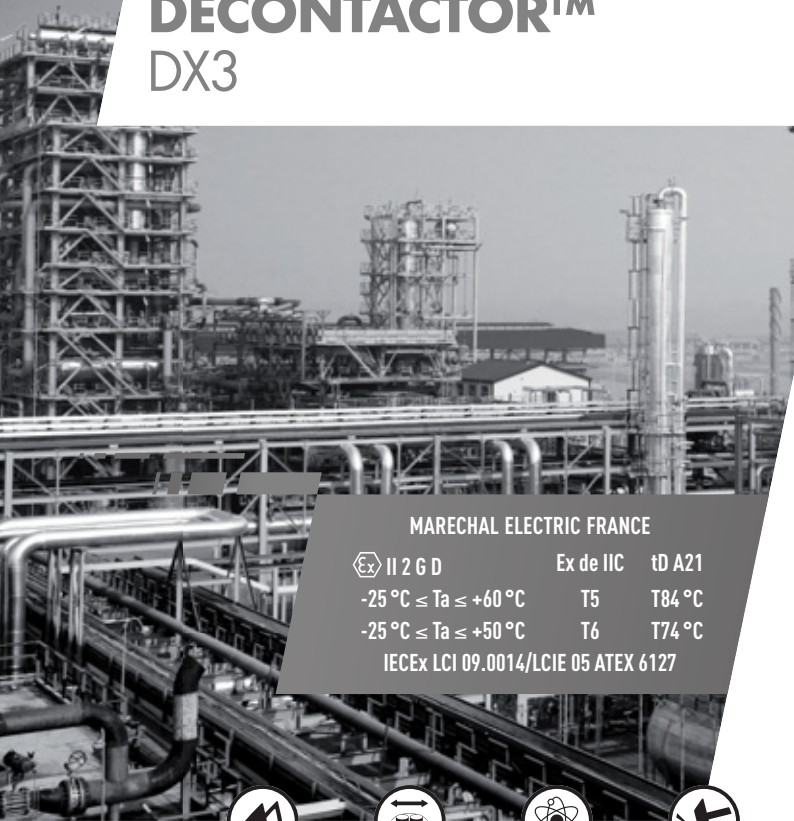


| A   | B   | C   |
|-----|-----|-----|
| 116 | 154 | 352 |

# 32 A

750 V  
U MAX

## DECONTACTOR™ DX3



MARECHAL ELECTRIC FRANCE

II 2 G D      Ex de IIC    tD A21  
 -25 °C ≤ Ta ≤ +60 °C    T5    T84 °C  
 -25 °C ≤ Ta ≤ +50 °C    T6    T74 °C  
 IECEx LCI 09.0014/LCIE 05 ATEX 6127



IP65



2,5-10 mm<sup>2</sup> (1)



METAL



IK10



-25 °C  
+60 °C



ATEX



1, 2,  
21, 22



EMC

(1) Flexible and stranded wiring (min.-max.).



**Other configurations  
on request**

**Locking position  
connected or  
disconnected by  
lockable shaft.**

### STANDARDS

International and European  
IEC/EN standards

60079-0, 60079-1, 60079-7, 60079-31, 60309-1, 60309-4,

Protection mode

de, tD



**Each socket outlet  
or inlet must be  
associated with a box,  
a sleeve or a handle.**

**SOCKET-OUTLET**  
female  
DX3



**INCLINED  
APPLIANCE**  
inlet  
DX3




**PLUG**  
male  
DX3




|              |        |         |         |         |         |
|--------------|--------|---------|---------|---------|---------|
| 220-250 V AC | 1P+N+E | 2634015 | 2636015 | 9-16 mm | 2631015 |
| 380-440 V AC | 3P+E   | 2634013 | 2636013 | 9-16 mm | 2631013 |
| 380-440 V AC | 3P+N+E | 2634017 | 2636017 | 9-16 mm | 2631017 |

► Other currents, voltages, frequencies and contact configurations are available (see page 14).


# REFERENCES ACCESSORIES

| WALL BOX  | Cable gland entry | Cable outer Ø | Reference  |
|---|-------------------|---------------|------------|
| <b>WALL BOX METAL 90°<br/>EX METAL CABLE GLAND INCLUDED*</b>                      |                   |               |            |
|  | M20               | 8-13 mm       | 263AB5320M |
|   | M25               | 9-16 mm       | 263AB53    |
|   | M32               | 12-21 mm      | 263AB5332M |

\* Optional versions for earth continuity are available, please contact us

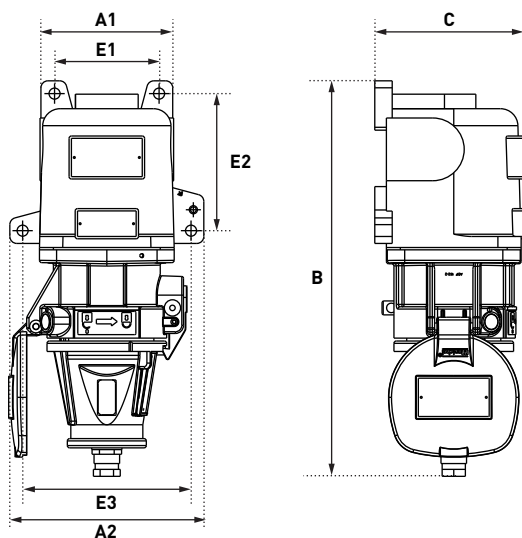
| HANDLES   | Cable gland entry | Cable outer Ø | Reference  |
|---|-------------------|---------------|------------|
| <b>STRAIGHT HANDLE METAL<br/>BOX EX METAL CABLE GLAND INCLUDED*</b>               |                   |               |            |
|  | M20               | 8-13 mm       | 263A95320M |
|   | M25               | 9-16 mm       | 263A963    |
|   | M32               | 12-21 mm      | 263A95332M |

| OPTIONS   | Reference |
|---|-----------|
| <b>INLET CAP IP66/IP67</b>  |           |
|  | 263A926   |

| ELECTROMAGNETIC COMPATIBILITY (EMC)   | NEW  |
|---|--|
|  | Please order a metal accessory herewith, together with a Ex EMC cable gland to be found on page 318. |

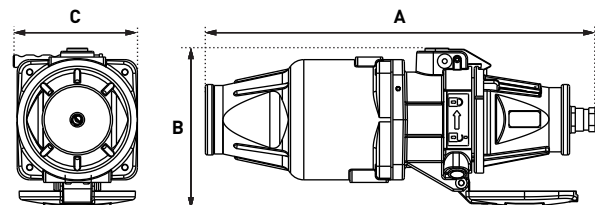
# DRAWINGS AND DIMENSIONS

**PLUG ON WALL MOUNTED SOCKET OUTLET**



| A1  | A2  | B   | C   | E1 | E2  | E3  |
|-----|-----|-----|-----|----|-----|-----|
| 115 | 145 | 341 | 129 | 90 | 118 | 168 |

**COUPLER**



| A   | B   | C   |
|-----|-----|-----|
| 116 | 154 | 352 |

# 32 A

750 V  
U<sub>MAX</sub>

## DECONTACTOR™ DXN3



MARECHAL ELECTRIC FRANCE

Ex db eb IIC T\* Gb  
 Ex tb IIIC T\* Db  
 \*-40 °C ≤ Ta ≤ +60 °C T5 T77 °C  
 -40 °C ≤ Ta ≤ +40 °C T6 T57 °C  
 IECEx LCI 09.0006X/LCIE 05 ATEX 6149X



IP66  
IP67



2,5-10 mm<sup>2</sup> (1)  
2,5-16 mm<sup>2</sup> (2)



GRP



IK09



-40 °C  
+60 °C



AC-22



ATEX



1, 2,  
21, 22

(1) Flexible wiring (min.-max.).  
(2) Stranded wiring (min.-max.).



Other configurations  
on request

### TEMPERATURE RATING

|                                  |  |
|----------------------------------|--|
| Gas temperature classes          | T6 for an ambient T° between -40 °C and +40 °C<br>T5 for an ambient T° between -40 °C and +60 °C                                 |
| Dust surface temperature classes | Surface T° ≤ 57 °C for an ambient T° between -40 °C and +40 °C<br>Surface T° ≤ 77 °C for an ambient T° between -40 °C and +60 °C |

### STANDARDS

|   |  |
|---|--|
| International and European IEC/EN standards | 60079-0, 60079-1, 60079-7, 60079-31, 60309-1, 60309-4, 60947-3 |
| Protection mode                             | db eb, tb  |

### SOCKET-OUTLET

female  
DXN3



INLET male  
DXN3














|                            |              |            |            |
|----------------------------|--------------|------------|------------|
| 20-24 V AC                 | 2P           | 253408A    | 253808A    |
| 220-250 V AC               | 1P+N+E       | 2534015    | 2538015    |
| 380-440 V AC               | 3P+E         | 2534013    | 2538013    |
| 380-440 V AC               | 3P+N+E       | 2534017    | 2538017    |
| 480-500 V AC               | 3P+E         | 2534093    | 2538093    |
| 480-500 V AC               | 3P+N+E       | 2534097    | 2538097    |
| 550 V AC - Auxiliaries 5 A | + 2 contacts | Ref. + 972 | Ref. + 972 |

► Other currents, voltages, frequencies and contact configurations are available (see page 14).



Each socket outlet  
or inlet must be  
associated with a box,  
a sleeve or a handle.

| OPTIONS   | Reference |
|---|-----------|
| <b>LOCKING PIN FOR 2 PADLOCKS Ø 4 TO 8 mm (PADLOCK NOT SUPPLIED)</b>                                      |           |
|  Socket-outlet ref. +843 |           |
| <b>SAFETY HASP FOR UP TO 6 PADLOCKS</b>   |           |
|  613A541                 |           |
| <b>LARGER RELEASE BUTTON</b>  |           |
|  Ref. socket +453        |           |
| <b>INLET CAP IP66/IP67</b>  |           |
|  253A426                 |           |
| <b>IN-LINE CONNECTIONS (A PAIR OF FINGER DRAW PLATES TO AID CLOSING)</b>                                  |           |
|  613A346                 |           |
| <b>SELF CLOSING/SELF RETURNING LID</b>  |           |
|  Socket-outlet ref.+R   |           |
| <b>COMPATIBILITY WITH DSN SOCKET-OUTLET (INDUSTRIAL RANGE)</b>  |           |
|  Contact us.           |           |
| <b>SELF-EJECTION</b>  |           |
|  See page 192          |           |



| WALL BOX  | Incline angle | Input/<br>Cable outer Ø | Reference                 |
|---|---------------|-------------------------|---------------------------|
| <b>WALL BOX POLY WITH EX POLY CABLE GLAND</b>                                       |               |                         |                           |
|    | 30°           | 10-14 mm                | 253AB53                   |
|   | 30°           | 12-18 mm                | 253AB5325P                |
| <b>WALL BOX POLY WITHOUT CABLE GLAND</b>  |               |                         |                           |
|    | 30°           | M20                     | 253AB53417                |
|   | 30°           | M25                     | 253AB53418                |
| <b>WALL BOX POLY WITH EX POLY CABLE GLAND</b>                                       |               |                         |                           |
|    | 70°           | 10-14 mm                | 253AB8820P                |
|   | 70°           | 12-18 mm                | 253AB8825P                |
| 120 X 120 mm  | 70°           | 16-25 mm                | 253AB8832P                |
| <b>WALL BOX POLY WITH METAL CABLE GLAND WITH EARTH CONTINUITY</b>                   |               |                         |                           |
|  | 70°           | 8-10 mm                 | 253AB8820M                |
|   | 70°           | 12-14 mm                | 253AB8825M                |
| 120 X 120 mm  | 70°           | 18-24 mm                | 253AB8832M                |
| <b>WALL BOX POLY WITH TERMINAL BLOCKS (IECEx LCIE 16.0042X/LCIE 16 ATEX 3054X)</b>  |               |                         |                           |
|  | 70°           | 10-14 mm                | 253A08820P <sup>(1)</sup> |
| 120 X 120 mm  | 70°           | 12-18 mm                | 253A08825P <sup>(1)</sup> |

**IN THIS CONFIGURATION**

U<sub>MAX</sub> = 630 V

1. Delivered with two predrilled entries fitted with 1 cable gland and 1 stopping plug, 8+2 terminals up to 10 mm<sup>2</sup> with 6 mm<sup>2</sup> wires. Wiring : 2.5-10 mm<sup>2</sup>. For other configurations, contact us.

| HANDLE  | Cable outer Ø | Reference  |
|---|---------------|------------|
| <b>POLY HANDLE WITH GLAND EX POLY</b>   |               |            |
|  | 10-14 mm      | 253A753    |
|   | 12-18 mm      | 253A783    |
|   | 16-25 mm      | 253A25332P |
|   | 22-32 mm      | 253A25340P |
| <b>POLY HANDLE WITH EX POLY GLAND FOR SELF-EJECTION OPTION</b>                      |               |            |
|  | 10-14 mm      | 253A463    |
|   | 12-18 mm      | 253A44325P |
|   | 16-25 mm      | 253A44332P |
| <b>STRAIGHT POLY HANDLE WITH METAL CABLE GLAND WITH EARTH CONTINUITY</b>            |               |            |
|  | 8-10 mm       | 253A25320M |
|   | 12-14 mm      | 253A25325M |
|   | 18-24 mm      | 253A25332M |

| SLEEVE  | Incline angle | Reference |
|---|---------------|-----------|
| <b>INCLINED POLY SLEEVE</b>   |               |           |
|  | 30°           | 253A027   |
|  | 70°           | 253A757   |

# 40 A

690 V  
U MAX

## ZONE 2-22 PLUGS & SOCKETS DXN3



MARECHAL ELECTRIC FRANCE

Ex II 3 GD      Ex ec IIC      T\* Gc  
                          Ex tc IIIC      T\* Dc  
 \* -40 °C ≤ Ta ≤ +60 °C      T4      T115 °C  
 -40 °C ≤ Ta ≤ +40 °C      T5      T95 °C  
 TF: MAR X 23.0001



IP66  
IP67



2,5-6 mm<sup>2</sup> (1)  
2,5-10 mm<sup>2</sup> (2)



GRP



IK09



-40 °C  
+60 °C



ATEX



2, 22

(1) Flexible wiring (min.-max.).  
(2) Stranded wiring (min.-max.).



Other configurations  
on request

### TEMPERATURE RATING

|                                  |   |
|----------------------------------|---|
| Gas temperature classes          | T5 for an ambient T° between -40 °C and +40 °C                  |
|                                  | T4 for an ambient T° between -40 °C and +60 °C                  |
| Dust surface temperature classes | Surface T° ≤ 95 °C for an ambient T° between -40 °C and +40 °C  |
|                                  | Surface T° ≤ 115 °C for an ambient T° between -40 °C and +60 °C |

### STANDARDS

|   |                            |
|---|----------------------------|
| International and European IEC/EN standards | 60079-0, 60079-7, 60079-31 |
| Protection mode                             | ec, tc                     |

### SOCKET-OUTLET

female  
DXN3



INLET male  
DXN3




| Voltage                     | Contact Configuration | Socket-Outlet Reference | Inlet Reference |
|-----------------------------|-----------------------|-------------------------|-----------------|
| 20-24 V AC                  | 2P                    | 253408AMZ2              | 253808AMZ2      |
| 220-250 V AC                | 1P+N+E                | 2534015MZ2              | 2538015MZ2      |
| 380-440 V AC                | 3P+E                  | 2534013MZ2              | 2538013MZ2      |
| 380-440 V AC                | 3P+N+E                | 2534017MZ2              | 2538017MZ2      |
| 480-500 V AC                | 3P+E                  | 2534193MZ2              | 2538193MZ2      |
| 480-500 V AC                | 3P+N+E                | 2534197MZ2              | 2538197MZ2      |
| 400 V AC - Auxiliaries 30 A | + 2 contacts          | Ref. + 972MZ2           | Ref. + 972MZ2   |



► Other currents, voltages, frequencies and contact configurations are available (see page 14).





Each socket outlet  
or inlet must be  
associated with a box,  
a sleeve or a handle.

| OPTIONS  | Reference            |
|--|----------------------|
| <b>SAFETY HASP FOR UP TO 6 PADLOCKS</b>  |                      |
|   | 613A541              |
| <b>LARGER RELEASE BUTTON</b>   |                      |
|   | Ref. socket +453     |
| <b>INLET CAP IP66/IP67</b>   |                      |
|   | 253A426              |
| <b>IN-LINE CONNECTIONS<br/>(A PAIR OF FINGER DRAW PLATES TO AID CLOSING)</b>       |                      |
|   | 613A346              |
| <b>SELF CLOSING/SELF RETURNING LID</b>   |                      |
|   | Socket-outlet ref.+R |
| <b>COMPATIBILITY WITH DSN SOCKET-OUTLET (INDUSTRIAL RANGE)</b>                     |                      |
|  | Contact us.          |

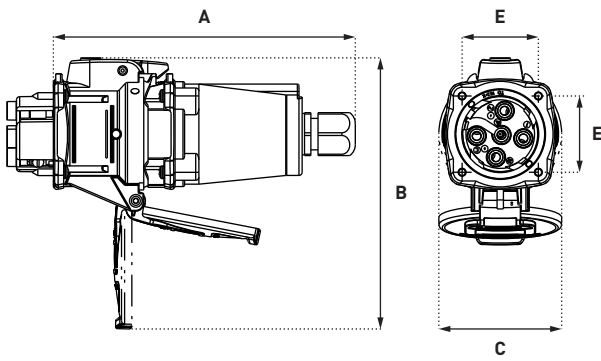
| WALL BOX  | Incline angle | Input/<br>Cable outer Ø | Reference  |
|---|---------------|-------------------------|------------|
| <b>WALL BOX POLY WITH EX POLY CABLE GLAND</b>                                       |               |                         |            |
|    | 30°           | 10-14 mm                | 253AB53    |
|   | 30°           | 12-18 mm                | 253AB5325P |
| <b>WALL BOX POLY WITHOUT CABLE GLAND</b>  |               |                         |            |
|    | 30°           | M20                     | 253AB53417 |
|   | 30°           | M25                     | 253AB53418 |
| <b>WALL BOX POLY WITH EX POLY CABLE GLAND</b>                                       |               |                         |            |
|    | 70°           | 10-14 mm                | 253AB8820P |
|   | 70°           | 12-18 mm                | 253AB8825P |
| 120 X 120 mm  | 70°           | 16-25 mm                | 253AB8832P |
| <b>WALL BOX POLY WITH METAL CABLE GLAND WITH EARTH CONTINUITY</b>                   |               |                         |            |
|  | 70°           | 8-10 mm                 | 253AB8820M |
|   | 70°           | 12-14 mm                | 253AB8825M |
| 120 X 120 mm  | 70°           | 18-24 mm                | 253AB8832M |
| <b>WALL BOX POLY WITH TERMINAL BLOCKS<br/>(TF: MAR X 14.0001)</b>                   |               |                         |            |
|  | 70°           | 10-14 mm                | Contact us |
| 120 X 120 mm  | 70°           | 12-18 mm                | Contact us |

| HANDLE  | Cable outer Ø | Reference  |
|---|---------------|------------|
| <b>POLY HANDLE WITH GLAND EX POLY</b>   |               |            |
|  | 10-14 mm      | 253A753    |
|   | 12-18 mm      | 253A783    |
|   | 16-25 mm      | 253A25332P |
|   | 22-32 mm      | 253A25340P |
| <b>STRAIGHT POLY HANDLE WITH METAL CABLE GLAND WITH EARTH CONTINUITY</b>            |               |            |
|  | 8-10 mm       | 253A25320M |
|   | 12-14 mm      | 253A25325M |
|   | 18-24 mm      | 253A25332M |

| SLEEVE  | Incline angle | Reference |
|---|---------------|-----------|
| <b>INCLINED POLY SLEEVE</b>   |               |           |
|  | 30°           | 253A027   |
|  | 70°           | 253A757   |

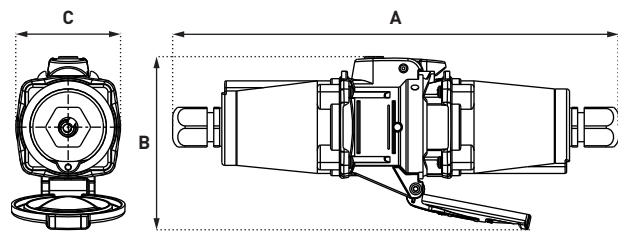
# DRAWINGS AND DIMENSIONS

**PLUG ON SOCKET-OUTLET**



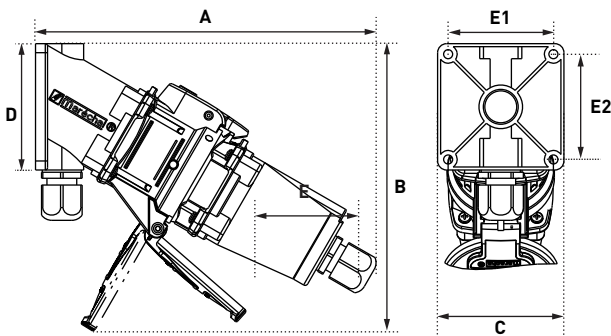
| A   | B   | C  | E  |
|-----|-----|----|----|
| 190 | 171 | 77 | 48 |

**COUPLER**



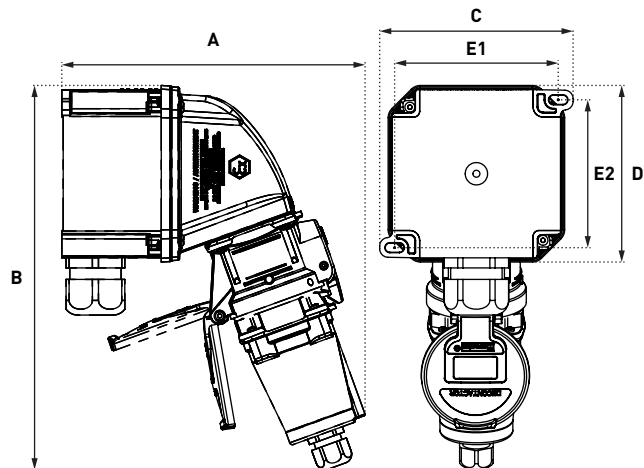
| A   | B  | C   |
|-----|----|-----|
| 304 | 71 | 118 |

**PLUG ON 30° WALL MOUNTED SOCKET OUTLET**



| A   | B   | C  | D  | E1 | E2 |
|-----|-----|----|----|----|----|
| 226 | 191 | 84 | 84 | 71 | 71 |

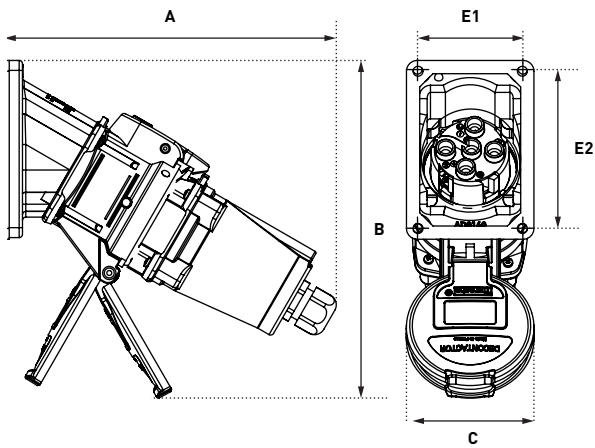
**PLUG ON 70° WALL-MOUNTED SOCKET-OUTLET**



| A   | B   | C   | D   | E1  | E2    |
|-----|-----|-----|-----|-----|-------|
| 208 | 264 | 138 | 126 | 117 | 105.5 |

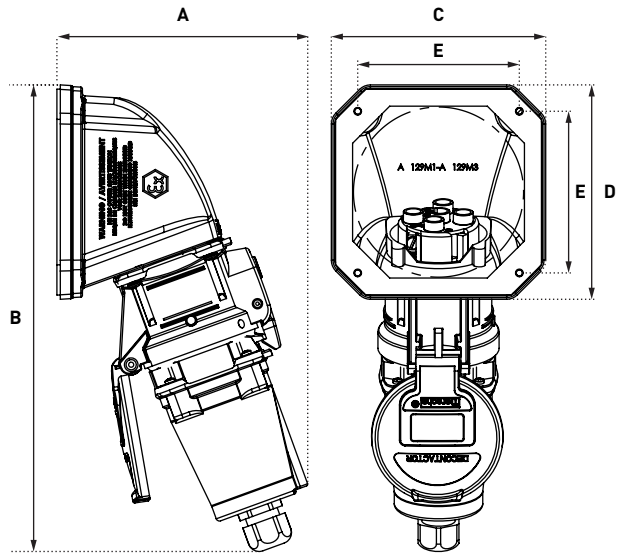


**PLUG ON 30° INCLINED SOCKET-OUTLET**



| A   | B   | C  | D   | E1 | E2 |
|-----|-----|----|-----|----|----|
| 201 | 204 | 77 | 108 | 64 | 96 |

**PLUG ON 70° INCLINED SOCKET-OUTLET**



| A   | B   | C   | D   | E  |
|-----|-----|-----|-----|----|
| 148 | 275 | 126 | 126 | 95 |



# 63 A

750 V  
U MAX

## DECONTACTOR™ DXN6



MARECHAL ELECTRIC FRANCE

Ex db eb IIC T\* Gb  
 Ex tb IIIC T\* Db  
 \*-40 °C ≤ Ta ≤ +60 °C T4 T107 °C  
 -40 °C ≤ Ta ≤ +40 °C T5 T87 °C  
 IECEx LCI 09.0007X/LCIE 05 ATEX 6150X



IP66  
IP67



6-16 mm<sup>2</sup> (1)  
6-25 mm<sup>2</sup> (2)



GRP



IK09



-40 °C  
+60 °C



AC-22



ATEX



1, 2,  
21, 22

(1) Flexible wiring (min.-max.).  
(2) Stranded wiring (min.-max.).



Other configurations  
on request

### TEMPERATURE RATING

|                                  |   |
|----------------------------------|---|
| Gas temperature classes          | T5 for an ambient T° between -40 °C and +40 °C<br>T4 for an ambient T° between -40 °C and +60 °C                                  |
| Dust surface temperature classes | Surface T° ≤ 87 °C for an ambient T° between -40 °C and +40 °C<br>Surface T° ≤ 107 °C for an ambient T° between -40 °C and +60 °C |

### STANDARDS

|   |  |
|---|--|
| International and European IEC/EN standards | 60079-0, 60079-1, 60079-7, 60079-31, 60309-1, 60309-4, 60947-3 |
| Protection mode                             | db eb, tb  |

### SOCKET-OUTLET

female  
DXN6



INLET male  
DXN6



|                            |              |            |            |
|----------------------------|--------------|------------|------------|
| 20-24 V AC                 | 2P           | 256408A    | 256808A    |
| 220-250 V AC               | 1P+N+E       | 2564015    | 2568015    |
| 380-440 V AC               | 3P+E         | 2564013    | 2568013    |
| 380-440 V AC               | 3P+N+E       | 2564017    | 2568017    |
| 480-500 V AC               | 3P+E         | 2564093    | 2568093    |
| 480-500 V AC               | 3P+N+E       | 2564097    | 2568097    |
| 550 V AC - Auxiliaries 5 A | + 2 contacts | Ref. + 972 | Ref. + 972 |






► Other currents, voltages, frequencies and contact configurations are available (see page 14).





Each socket outlet  
or inlet must be  
associated with a box,  
a sleeve or a handle.

| OPTIONS   | Reference |
|---|-----------|
| <b>LOCKING PIN FOR 2 PADLOCKS Ø 4 TO 8 mm<br/>(PADLOCK NOT SUPPLIED)</b>                                  |           |
|  Socket-outlet ref. +843 |           |
| <b>SAFETY HASP FOR UP TO 6 PADLOCKS</b>   |           |
|  613A541                 |           |
| <b>LARGER RELEASE BUTTON</b>  |           |
|  Ref. socket +453        |           |
| <b>INLET CAP IP66/IP67</b>  |           |
|  256A426                 |           |
| <b>IN-LINE CONNECTIONS<br/>(A PAIR OF FINGER DRAW PLATES TO AID CLOSING)</b>                              |           |
|  616A346                 |           |
| <b>SELF CLOSING/SELF RETURNING LID</b>  |           |
|  Socket-outlet ref.+R   |           |
| <b>COMPATIBILITY WITH DSN SOCKET-OUTLET (INDUSTRIAL RANGE)</b>  |           |
|  Contact us.           |           |
| <b>SELF-EJECTION</b>  |           |
|  See page 192          |           |

| HANDLE  | Cable outer Ø | Reference  |
|---|---------------|------------|
| <b>POLY HANDLE WITH GLAND EX POLY</b>   |               |            |
|  | 10-14 mm      | 256A25320P |
|   | 12-18 mm      | 256A753    |
|   | 16-25 mm      | 256A25332P |
|   | 22-32 mm      | 256A25340P |
| <b>POLY HANDLE WITH EX POLY GLAND FOR SELF-EJECTION OPTION</b>                      |               |            |
|  | 12-18 mm      | 256A443    |
|   | 16-25 mm      | 256A44332P |
|   | 22-32 mm      | 256A44340P |
| <b>STRAIGHT POLY HANDLE WITH METAL CABLE GLAND WITH EARTH CONTINUITY</b>            |               |            |
|  | 8-10 mm       | 256A25320M |
|   | 12-14 mm      | 256A25325M |
|   | 18-24 mm      | 256A25332M |

| WALL BOX   | Incline angle | Input/<br>Cable outer Ø | Reference                 |
|--|---------------|-------------------------|---------------------------|
| <b>WALL BOX POLY WITH EX POLY CABLE GLAND</b>  |               |                         |                           |
|       | 30°           | 12-18 mm                | 256AB53                   |
| <b>WALL BOX POLY WITHOUT CABLE GLAND</b>   |               |                         |                           |
|       | 30°           | M25                     | 256AB53418                |
| <b>WALL BOX POLY WITH EX POLY CABLE GLAND</b>  |               |                         |                           |
|       | 70°           | 10-14 mm                | 256AB8820P                |
|  | 70°           | 12-18 mm                | 256AB8825P                |
|  | 70°           | 16-25 mm                | 256AB8832P                |
|  | 70°           | 22-32 mm                | 256AB8840P                |
| 160 X 160 mm   |               |                         |                           |
| <b>WALL BOX POLY WITH METAL CABLE GLAND WITH EARTH CONTINUITY</b>                      |               |                         |                           |
|       | 70°           | 8-10 mm                 | 256AB8820M                |
|  | 70°           | 12-14 mm                | 256AB8825M                |
|  | 70°           | 18-24 mm                | 256AB8832M                |
| 160 X 160 mm   |               |                         |                           |
| <b>WALL BOX POLY WITH TERMINAL BLOCKS<br/>(IECEx LCIE 16.0042X/LCIE 16 ATEX 3054X)</b> |               |                         |                           |
|     | 70°           | 10-14 mm                | 256A08820P <sup>(1)</sup> |
|  | 70°           | 12-18 mm                | 256A08825P <sup>(1)</sup> |
|  | 70°           | 16-25 mm                | 256A08832P <sup>(1)</sup> |
|  | 70°           | 22-32 mm                | 256A08840P <sup>(1)</sup> |
| 160 X 160 mm   |               |                         |                           |
| <b>IN THIS CONFIGURATION</b>   |               |                         |                           |
| U <sub>MAX</sub> = 630 V   |               |                         |                           |
| -40 °C ≤ Ta ≤ +55 °C T4 T105 °C  |               |                         |                           |
| -40 °C ≤ Ta ≤ +50 °C T5 T95 °C   |               |                         |                           |

1. Delivered with two predrilled entries fitted with 1 cable gland and 1 stopping plug, 8+2 terminals up to 16 mm<sup>2</sup> with 16 mm<sup>2</sup> wires. Wiring : 6-16 mm<sup>2</sup>. For other configurations, contact us.

| SLEEVE  | Incline angle | Reference |
|---|---------------|-----------|
| <b>INCLINED POLY SLEEVE</b>   |               |           |
|  | 30°           | 256A027   |
|  | 70°           | 256A757   |

# 63 A

# 1000 V U MAX

## ZONE 2-22 PLUGS & SOCKETS DXN6



MARECHAL ELECTRIC FRANCE

Ex II 3 GD

Ex ec IIC

T\* Gc

Ex tc IIIC

T\* Dc

\*-40 °C ≤ Ta ≤ +60 °C

T4

T105 °C

-40 °C ≤ Ta ≤ +40 °C

T5

T85 °C

TF: MAR X 23.0003



IP66  
IP67



6-16 mm<sup>2</sup> (1)  
10-25 mm<sup>2</sup> (2)



GRP



IK09



-40 °C  
+60 °C



ATEX



2, 22

(1) Flexible wiring (min.-max.).  
(2) Stranded wiring (min.-max.).



Other configurations  
on request

### TEMPERATURE RATING

|                                  |   |
|----------------------------------|---|
| Gas temperature classes          | T5 for an ambient T° between -40 °C and +40 °C                  |
|                                  | T4 for an ambient T° between -40 °C and +60 °C                  |
| Dust surface temperature classes | Surface T° ≤ 85 °C for an ambient T° between -40 °C and +40 °C  |
|                                  | Surface T° ≤ 105 °C for an ambient T° between -40 °C and +60 °C |

### STANDARDS

|   |                            |
|---|----------------------------|
| International and European IEC/EN standards | 60079-0, 60079-7, 60079-31 |
| Protection mode                             | ec, tc                     |

### SOCKET-OUTLET

female  
DXN6



INLET male  
DXN6













|                             |              |               |               |
|-----------------------------|--------------|---------------|---------------|
| 20-24 V AC                  | 2P           | 256408AMZ2    | 256808AMZ2    |
| 220-250 V AC                | 1P+N+E       | 2564015MZ2    | 2568015MZ2    |
| 380-440 V AC                | 3P+E         | 2564013MZ2    | 2568013MZ2    |
| 380-440 V AC                | 3P+N+E       | 2564017MZ2    | 2568017MZ2    |
| 480-500 V AC                | 3P+E         | 2564193MZ2    | 2568193MZ2    |
| 480-500 V AC                | 3P+N+E       | 2564197MZ2    | 2568197MZ2    |
| 400 V AC - Auxiliaries 16 A | + 2 contacts | Ref. + 972MZ2 | Ref. + 972MZ2 |



► Other currents, voltages, frequencies and contact configurations are available (see page 14).





Each socket outlet  
or inlet must be  
associated with a box,  
a sleeve or a handle.

| OPTIONS  | Reference            |
|--|----------------------|
| <b>SAFETY HASP FOR UP TO 6 PADLOCKS</b>  |                      |
|   | 613A541              |
| <b>LARGER RELEASE BUTTON</b>   |                      |
|   | Ref. socket +453     |
| <b>INLET CAP IP66/IP67</b>   |                      |
|   | 256A426              |
| <b>IN-LINE CONNECTIONS<br/>(A PAIR OF FINGER DRAW PLATES TO AID CLOSING)</b>       |                      |
|   | 616A346              |
| <b>SELF CLOSING/SELF RETURNING LID</b>   |                      |
|   | Socket-outlet ref.+R |
| <b>COMPATIBILITY WITH DSN SOCKET-OUTLET (INDUSTRIAL RANGE)</b>                     |                      |
|  | Contact us.          |

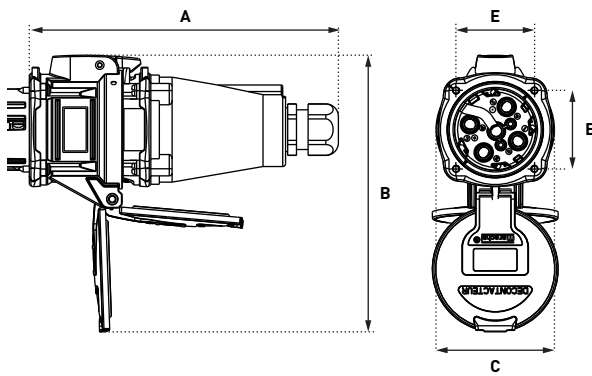
| WALL BOX  | Incline angle | Input/<br>Cable outer Ø | Reference  |
|---|---------------|-------------------------|------------|
| <b>WALL BOX POLY WITH EX POLY CABLE GLAND</b>                                       |               |                         |            |
|    | 30°           | 12-18 mm                | 256AB53    |
| <b>WALL BOX POLY WITHOUT CABLE GLAND</b>  |               |                         |            |
|    | 30°           | M25                     | 256AB53418 |
| <b>WALL BOX POLY WITH EX POLY CABLE GLAND</b>                                       |               |                         |            |
|    | 70°           | 10-14 mm                | 256AB8820P |
|    | 70°           | 12-18 mm                | 256AB8825P |
|    | 70°           | 16-25 mm                | 256AB8832P |
|    | 70°           | 22-32 mm                | 256AB8840P |
| <b>WALL BOX POLY WITH METAL CABLE GLAND WITH EARTH CONTINUITY</b>                   |               |                         |            |
|    | 70°           | 8-10 mm                 | 256AB8820M |
|    | 70°           | 12-14 mm                | 256AB8825M |
|    | 70°           | 18-24 mm                | 256AB8832M |
| <b>WALL BOX POLY WITH TERMINAL BLOCKS<br/>(TF: MAR X 23.0003)</b>                   |               |                         |            |
|  | 70°           | 10-14 mm                | Contact us |
|  | 70°           | 12-18 mm                | Contact us |
|  | 70°           | 16-25 mm                | Contact us |
|  | 70°           | 22-32 mm                | Contact us |

| HANDLE  | Cable outer Ø | Reference  |
|---|---------------|------------|
| <b>POLY HANDLE WITH GLAND EX POLY</b>   |               |            |
|  | 10-14 mm      | 256A25320P |
|   | 12-18 mm      | 256A753    |
|   | 16-25 mm      | 256A25332P |
|   | 22-32 mm      | 256A25340P |
| <b>STRAIGHT POLY HANDLE WITH METAL CABLE GLAND WITH EARTH CONTINUITY</b>            |               |            |
|  | 8-10 mm       | 256A25320M |
|   | 12-14 mm      | 256A25325M |
|   | 18-24 mm      | 256A25332M |

| SLEEVE  | Incline angle | Reference |
|---|---------------|-----------|
| <b>INCLINED POLY SLEEVE</b>   |               |           |
|  | 30°           | 256A027   |
|  | 70°           | 256A757   |

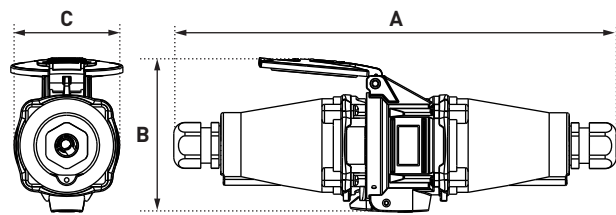
# DRAWINGS AND DIMENSIONS

**PLUG ON SOCKET-OUTLET**



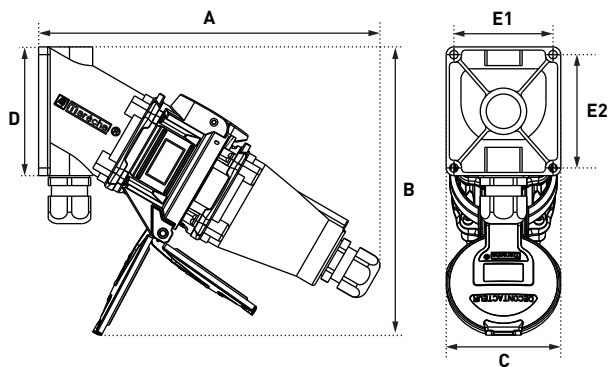
| A   | B   | C  | E  |
|-----|-----|----|----|
| 218 | 195 | 84 | 55 |

**COUPLER**



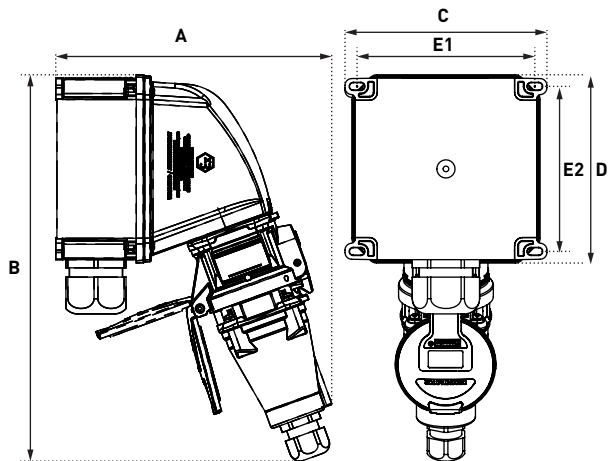
| A   | B  | C   |
|-----|----|-----|
| 350 | 84 | 122 |

**PLUG ON 30° WALL MOUNTED SOCKET OUTLET**



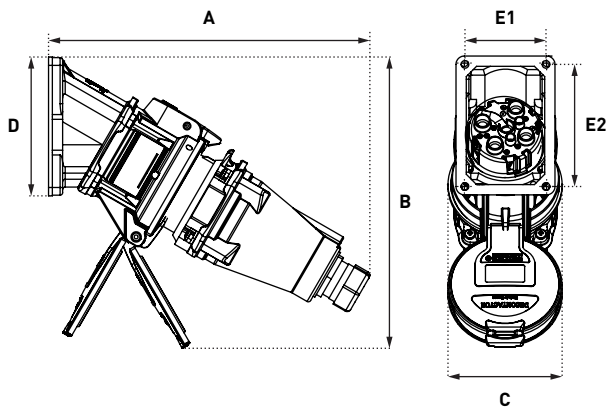
| A   | B   | C  | D   | E1 | E2 |
|-----|-----|----|-----|----|----|
| 265 | 225 | 89 | 100 | 77 | 89 |

**PLUG ON 70° WALL-MOUNTED SOCKET-OUTLET**



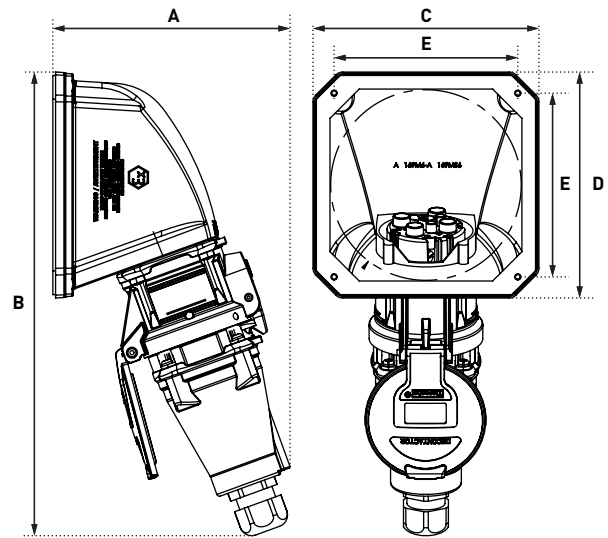
| A   | B   | C   | D   | E1  | E2    |
|-----|-----|-----|-----|-----|-------|
| 244 | 341 | 175 | 166 | 157 | 145.5 |

**PLUG ON 30° INCLINED SOCKET-OUTLET**



| A   | B   | C  | D   | E1 | E2 |
|-----|-----|----|-----|----|----|
| 239 | 219 | 77 | 108 | 64 | 96 |

**PLUG ON 70° INCLINED SOCKET-OUTLET**



| A   | B   | C   | D   | E   |
|-----|-----|-----|-----|-----|
| 175 | 341 | 166 | 166 | 135 |



# 63 A

750 V  
U MAXI

## DECONTACTOR™ DX6

MARECHAL ELECTRIC FRANCE

II 2 G D      Ex de IIC    tD A21  
 -40 °C ≤ Ta ≤ +60 °C    T5    T90 °C  
 -40 °C ≤ Ta ≤ +50 °C    T6    T80 °C  
 IECEx LCI 09.0015/LCIE 04 ATEX 6038



IP65  
IP66



16-35 mm<sup>2</sup> (1)  
16-50 mm<sup>2</sup> (2)



METAL



IK10



-40 °C  
+60 °C



ATEX



1, 2,  
21, 22



EMC

(1) Flexible wiring (min.-max.).  
(2) Stranded wiring (min.-max.).



Other configurations  
on request

Locking position  
connected or  
disconnected by  
lockable shaft.

### STANDARDS

International and European  
IEC/EN standards

60079-0, 60079-1, 60079-7, 60079-31, 60309-1, 60309-4,

Protection mode

de, tD



Each socket outlet  
or inlet must be  
associated with a box,  
a sleeve or a handle.

**SOCKET-OUTLET**  
female  
DX6



**INCLINED  
APPLIANCE**  
inlet  
DX6



**PLUG**  
male  
DX6




|              |        |         |         |          |         |
|--------------|--------|---------|---------|----------|---------|
| 220-250 V AC | 1P+N+E | 2664015 | 2666015 | 12-21 mm | 2661015 |
| 380-440 V AC | 3P+E   | 2664013 | 2666013 | 12-21 mm | 2661013 |
| 380-440 V AC | 3P+N+E | 2664017 | 2666017 | 12-21 mm | 2661017 |


► Other currents, voltages, frequencies and contact configurations are available (see page 14).




# REFERENCES ACCESSORIES

| WALL BOX  | Cable gland entry | Cable outer Ø | Reference  |
|---|-------------------|---------------|------------|
| <b>WALL BOX METAL 90°<br/>EX METAL CABLE GLAND INCLUDED*</b>                      |                   |               |            |
|  | M25               | 9-16 mm       | 266AB5325M |
|   | M32               | 12-21 mm      | 266AB53    |
|   | M40               | 16-27 mm      | 266AB5340M |

\* Optional versions for earth continuity are available, please contact us

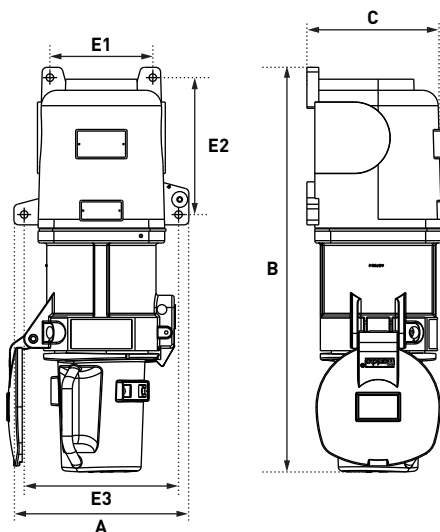
| HANDLES   | Cable gland entry | Cable outer Ø | Reference  |
|---|-------------------|---------------|------------|
| <b>STRAIGHT HANDLE METAL<br/>BOX EX METAL CABLE GLAND INCLUDED*</b>               |                   |               |            |
|  | M25               | 9-16 mm       | 266A95325M |
|   | M32               | 12-21 mm      | 266A963    |
|   | M40               | 16-27 mm      | 266A95340M |

| OPTIONS   | Reference |
|---|-----------|
| <b>INLET CAP IP66/IP67</b>  |           |
|  | 266A926   |

| ELECTROMAGNETIC COMPATIBILITY (EMC)   | NEW  |
|---|--|
|  | Please order a metal accessory herewith, together with a Ex EMC cable gland to be found on page 318. |

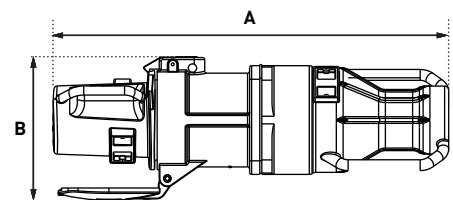
# DRAWINGS AND DIMENSIONS

**PLUG ON WALL MOUNTED SOCKET OUTLET**



| A   | B   | C   | E1  | E2  | E3  |
|-----|-----|-----|-----|-----|-----|
| 221 | 511 | 173 | 130 | 173 | 195 |

**COUPLER**



| A   | B   | C   |
|-----|-----|-----|
| 582 | 212 | 160 |

# 125 A

# 750 V

U MAX II

## DECONTACTOR™ DX9



MARECHAL ELECTRIC FRANCE

II 2 G D Ex de IIC tD A21  
-40 °C ≤ Ta ≤ +60 °C T5 T90 °C  
-40 °C ≤ Ta ≤ +50 °C T6 T80 °C  
IECEX LCI 09.0015/LCIE 04 ATEX 6038



IP65  
IP66



35-50 mm<sup>2</sup> (1)  
50-70 mm<sup>2</sup> (2)



METAL



IK10



-40 °C  
+60 °C



ATEX



1, 2,  
21, 22



EMC

(1) Flexible wiring (min.-max.).  
(2) Stranded wiring (min.-max.).



**Other configurations  
on request**

**Locking position  
connected or  
disconnected by  
lockable shaft.**

### STANDARDS

International and European  
IEC/EN standards

60079-0, 60079-1, 60079-7, 60079-31, 60309-1, 60309-4,

Protection mode

de, tD

**SOCKET-OUTLET**  
female  
DX9



**INCLINED  
APPLIANCE**  
inlet  
DX9



**PLUG**  
male  
DX9




**Each socket outlet  
or inlet must be  
associated with a box,  
a sleeve or a handle.**


|              |        |         |         |          |            |
|--------------|--------|---------|---------|----------|------------|
| 380-440 V AC | 3P+E   | 2694013 | 2696013 | 16-27 mm | 2691013    |
|              |        |         |         | 23-35 mm | 269101350M |
|              |        |         |         | 36-48 mm | 269101363M |
| 380-440 V AC | 3P+N+E | 2694017 | 2696017 | 16-27 mm | 2691017    |
|              |        |         |         | 23-35 mm | 269101750M |
|              |        |         |         | 36-48 mm | 269101763M |

► Other currents, voltages, frequencies and contact configurations are available (see page 14).


# REFERENCES ACCESSORIES

| WALL BOX  | Cable gland entry | Cable outer Ø | Reference  |
|---|-------------------|---------------|------------|
| <b>WALL BOX METAL 90°<br/>EX METAL CABLE GLAND INCLUDED*</b>                      |                   |               |            |
|  | M32               | 12-21 mm      | 269AB5332M |
|   | M40               | 16-27 mm      | 269AB53    |
|   | M50               | 23-35 mm      | 269AB5350M |
|   | M63               | 36-48 mm      | 269AB5363M |

\* Optional versions for earth continuity are available, please contact us

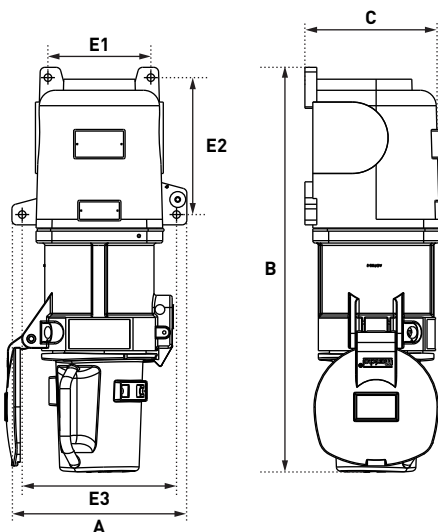
| HANDLES   | Cable gland entry | Cable outer Ø | Reference  |
|---|-------------------|---------------|------------|
| <b>STRAIGHT HANDLE METAL<br/>BOX EX METAL CABLE GLAND INCLUDED*</b>               |                   |               |            |
|  | M32               | 12-21 mm      | 269A95332M |
|   | M40               | 16-27 mm      | 269A963    |
|   | M50               | 23-35 mm      | 269A95350M |
|   | M63               | 36-48 mm      | 269A95363M |

| OPTIONS   | Reference |
|---|-----------|
| <b>INLET CAP IP66/IP67</b>  |           |
|  | 269A926   |

| ELECTROMAGNETIC COMPATIBILITY (EMC)   | NEW  |
|---|--|
|  | Please order a metal accessory herewith, together with a Ex EMC cable gland to be found on page 318. |

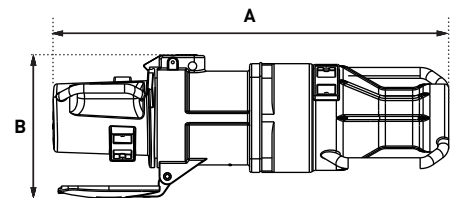
# DRAWINGS AND DIMENSIONS

**PLUG ON WALL MOUNTED SOCKET OUTLET**



| A   | B   | C   | E1  | E2  | E3  |
|-----|-----|-----|-----|-----|-----|
| 221 | 511 | 173 | 130 | 173 | 195 |

**COUPLER**

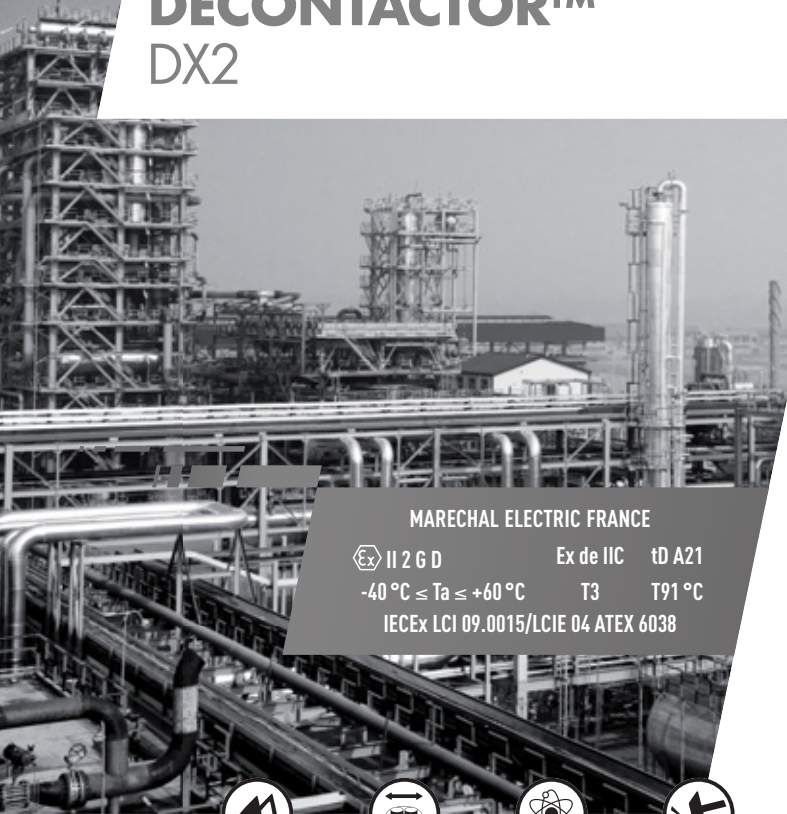


| A   | B   | C   |
|-----|-----|-----|
| 582 | 212 | 160 |

# 200 A 750 V

*U MAXI*

## DECONTACTOR™ DX2



MARECHAL ELECTRIC FRANCE

II 2 G D      Ex de IIC    tD A21  
 -40 °C ≤ Ta ≤ +60 °C    T3    T91 °C  
 IECEx LCI 09.0015/LCIE 04 ATEX 6038



IP65  
IP66



50 mm<sup>2</sup> <sup>(1)</sup>  
70 mm<sup>2</sup> <sup>(2)</sup>



METAL



IK10



-40 °C  
+60 °C



ATEX



1, 2,  
21, 22



EMC

(1) Flexible wiring.  
(2) Stranded wiring.



**Other configurations  
on request**

**Locking position  
connected or  
disconnected by  
lockable shaft.**

### STANDARDS

International and European  
IEC/EN standards

60079-0, 60079-1, 60079-7, 60079-31, 60309-1, 60309-4,

Protection mode

de, tD



**Each socket outlet  
or inlet must be  
associated with a box,  
a sleeve or a handle.**

**SOCKET-OUTLET**  
female  
**DX2 (200 A)**



**INCLINED  
APPLIANCE**  
inlet  
**DX2 (200 A)**




**PLUG**  
male  
**DX2 (200 A)**




|              |        |         |         |          |         |
|--------------|--------|---------|---------|----------|---------|
| 380-440 V AC | 3P+E   | 2674013 | 2676013 | 36-48 mm | 2671013 |
| 380-440 V AC | 3P+N+E | 2674017 | 2676017 | 36-48 mm | 2671017 |

► Other currents, voltages, frequencies and contact configurations are available (see page 14).


# REFERENCES ACCESSORIES

| WALL BOX  | Cable gland entry | Cable outer Ø | Reference |
|---|-------------------|---------------|-----------|
| <b>WALL BOX METAL 90°<br/>EX METAL CABLE GLAND INCLUDED*</b>                      |                   |               |           |
|  | M63               | 36-48 mm      | 267AB53   |

\* Optional versions for earth continuity are available, please contact us

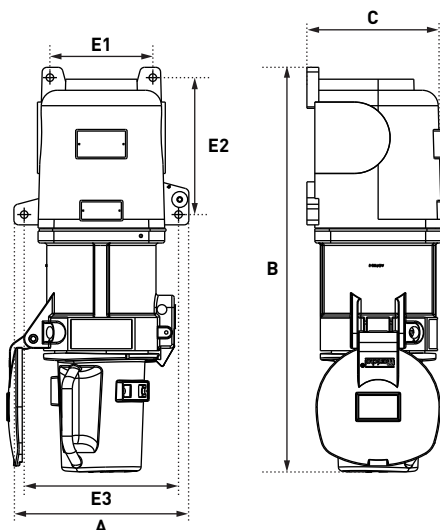
| HANDLES   | Cable gland entry | Cable outer Ø | Reference |
|---|-------------------|---------------|-----------|
| <b>STRAIGHT HANDLE METAL<br/>BOX EX METAL CABLE GLAND INCLUDED*</b>               |                   |               |           |
|  | M63               | 36-48 mm      | 267A963   |

| OPTIONS   | Reference |
|---|-----------|
| <b>INLET CAP IP66/IP67</b>  |           |
|  | 267A926   |

| ELECTROMAGNETIC COMPATIBILITY (EMC)   | NEW  |
|---|--|
|  | Please order a metal accessory herewith, together with a Ex EMC cable gland to be found on page 318. |

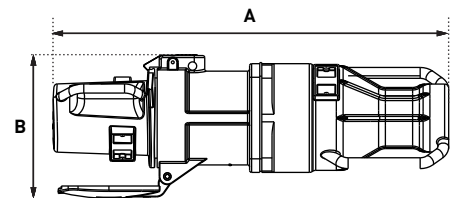
# DRAWINGS AND DIMENSIONS

PLUG ON WALL MOUNTED SOCKET OUTLET



| A   | B   | C   | E1  | E2  | E3  |
|-----|-----|-----|-----|-----|-----|
| 221 | 511 | 173 | 130 | 173 | 195 |

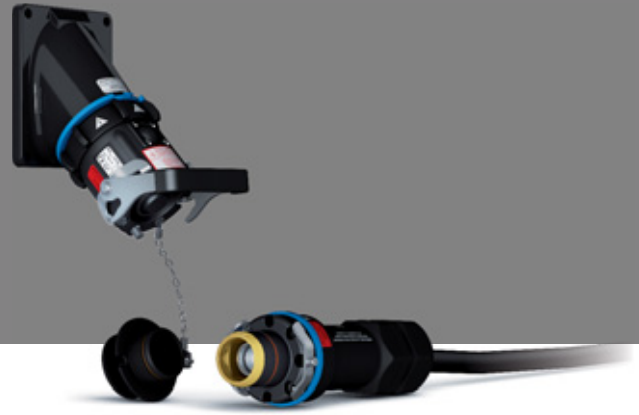
COUPLER



| A   | B   | C   |
|-----|-----|-----|
| 582 | 212 | 160 |

680 A

# SPeX SINGLE POLE CONNECTOR



## SPeX SINGLE POLE CONNECTORS COMPLY WITH:

- ATEX European Directive (affixing "Ex" symbol and CE marking),
- RoHS Directive (affixing CE marking),
- REACH European Regulation,
- IEC/EN 60079-0, IEC/EN 60079-7 and IEC/EN 60079-31 international and European standards,
- BUREAU VERITAS Marine specifications.

## SPeX CERTIFICATION BODIES

SPeX are certified by LCIE (ATEX and IECEx), NANIO (TR CU EAC) and cCSAus (french, russian and americano-canadian\* notified bodies).

\* for North American market.



## THE HIGHEST POSSIBLE SAFETY

- IP2X socket-outlet when cap removed,
- Automatic IP65/IP66 when plug is connected.

## AN EASY-TO-USE CONNECTOR

- Straight insertion of the plug into the socket-outlet,
- Different mechanical keying for L1, L2, L3, N and E, positive and negative (DC)
- Visual identification by standard colours.

## SPeX ATEX CLASSIFICATION ACCORDING TO CABLE CROSS-SECTION AND AMBIENT TEMPERATURE

|                     | -20 °C ≤ Ta ≤ +40 °C<br>G D<br>T5/T56 °C | -20 °C ≤ Ta ≤ +40 °C<br>G D<br>T6/T56 °C | -20 °C ≤ Ta ≤ +60 °C<br>G D<br>T5/T76 °C |
|---------------------|--|--|--|
| 70 mm <sup>2</sup>  | 290 A                                    | 235 A                                    | 235 A                                    |
| 95 mm <sup>2</sup>  | 415 A                                    | 335 A                                    | 335 A                                    |
| 120 mm <sup>2</sup> | 456 A                                    | 376 A                                    | 376 A                                    |
| 150 mm <sup>2</sup> | 493 A                                    | 415 A                                    | 415 A                                    |
| 185 mm <sup>2</sup> | 530 A                                    | 450 A                                    | 450 A                                    |
| 240 mm <sup>2</sup> | 570 A                                    | 497 A                                    | 497 A                                    |
| 300 mm <sup>2</sup> | 620 A                                    | 540 A                                    | 540 A                                    |
| 400 mm <sup>2</sup> | 680 A                                    | 600 A                                    | 600 A                                    |

## PERFORMANCES

With 240 mm<sup>2</sup> wiring, the SPeX accepts a permanent current up to 570 A/1000 V AC with T5 EX classification at 40 °C ambient temperature.

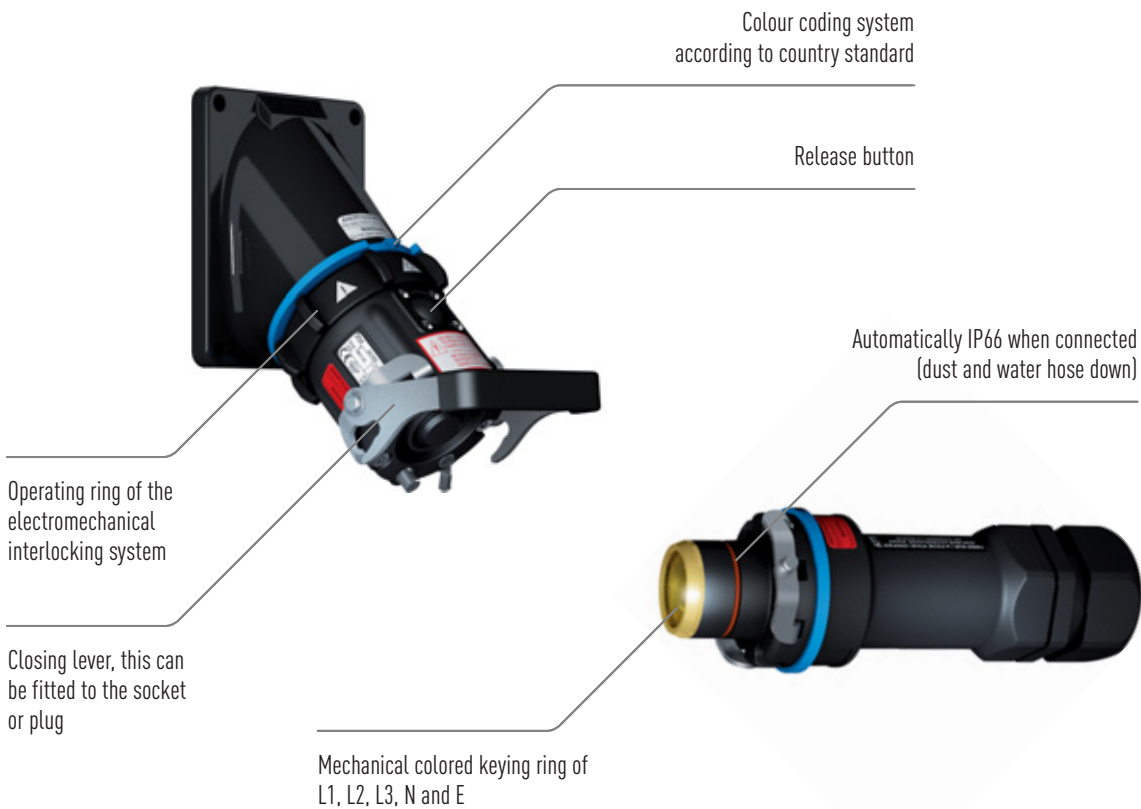
II 2 G D Ex e IIC, Ex tb IIIC

IP65/IP66

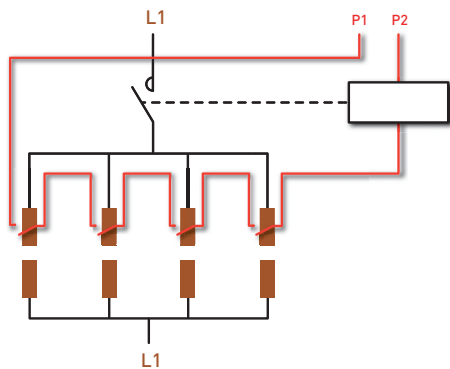
Temperature rating -20°C to +60°C

Electromechanical interlocking system

Mechanic and visual keying

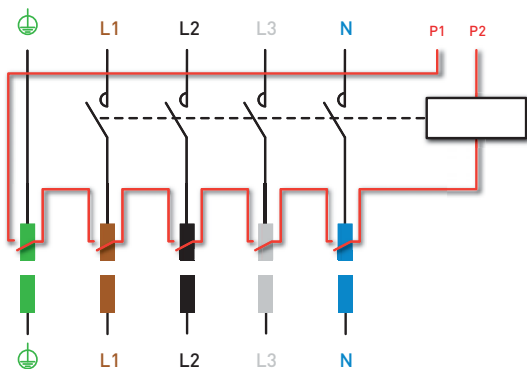


**INTERLOCKING ELECTRICAL WIRING DIAGRAM:  
INCREASED POWER WITH PARALLEL CONNECTION.**



**ENERGY DISTRIBUTION SYSTEM WITH SEPARATE  
CONNECTION OF CONTACTS**

The pilot contact breaks the circuit in conformity with ATEX Directive (increased safety "e"). **External control contactor not supplied by MARECHAL.**

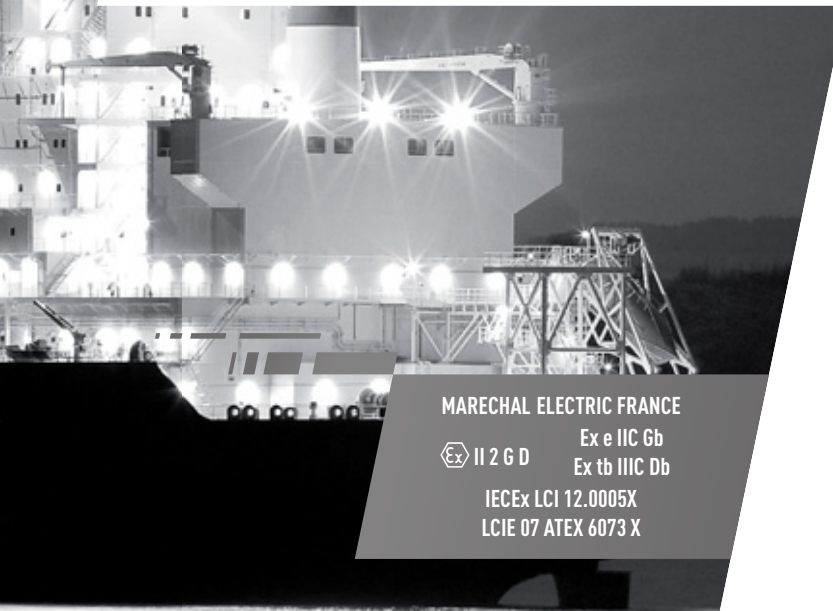


Pilot wiring is mandatory to break and mate on load

# 680 A 1 000 V

*U MAX*

## SINGLE POLE POWER CONNECTOR SPeX



MARECHAL ELECTRIC FRANCE



Ex e IIC Gb  
Ex tb IIIC Db

IECEx LCI 12.0005X  
LCIE 07 ATEX 6073 X



IP65  
IP66



SEE  
TABLE



GRP



IK08



-20 °C  
+60 °C



ATEX



1, 2,  
21, 22



### LEVER MECHANISM TO BE ORDERED SEPARATELY

Compatible with socket  
or inlet since 2018

Lever mechanism :  
454A876

Draw base : 454A396



### OTHER FEATURES

|                           |   |
|---------------------------|---|
| Rated current             | According to temperature class and section of cable |
| Number of operations      | 2000  |
| Pre-wired pilot circuit   | 6 A/250 V   |
| Short-circuit current Icc | 20 kA during 250 ms                                 |

### STANDARDS

|  |                              |
|--|------------------------------|
| International and European<br>IEC/EN standards | 60079-0, 60079-7 et 60079-31 |
| Protection mode                                | e, tb                        |



### SOCKET-OUTLET female SPeX WITHOUT LUG



### INLET male SPeX WITHOUT LUG

| Type     | Europe* | Reference | Reference<br>16-25 mm | Reference<br>22-32 mm | Reference<br>28-38 mm | Reference<br>40-48 mm |
|----------|---------|-----------|-----------------------|-----------------------|-----------------------|-----------------------|
| L1       | Brown   | 4647001   | 464100132P            | 464100140P            | 464100150P            | 464100163P            |
| L2       | Black   | 4647002   | 464100232P            | 464100240P            | 464100250P            | 464100263P            |
| L3       | Grey    | 4647003   | 464100332P            | 464100340P            | 464100350P            | 464100363P            |
| Neutral  | Blue    | 464700N   | 464100N32P            | 464100N40P            | 464100N50P            | 464100N63P            |
| Earth    | Green   | 464700T   | 464100T32P            | 464100T40P            | 464100T50P            | 464100T63P            |
| Positive | Red     | 464700P   | 464100P32P            | 464100P40P            | 464100P50P            | 464100P63P            |
| Negative | Black   | 464700M   | 464100M32P            | 464100M40P            | 464100M50P            | 464100M63P            |

\* The indicated references are valid for Europe and Japan.  
For mobile socket-outlets or wall-mounted inlet references, contact us.





| Type     | SOCKET-OUTLET female<br>SPeX WITHOUT LUG |           | INLET male<br>SPeX WITHOUT LUG |                       |                       |                       |
|----------|--|-----------|--------------------------------|-----------------------|-----------------------|-----------------------|
|          | Australia and New Zealand                | Reference | Reference<br>16-25 mm          | Reference<br>22-32 mm | Reference<br>28-38 mm | Reference<br>40-48 mm |
| L1       | Red                                      | 4347001   | 434100132P                     | 434100140P            | 434100150P            | 434100163P            |
| L2       | White                                    | 4347002   | 434100232P                     | 434100240P            | 434100250P            | 434100263P            |
| L3       | Blue                                     | 4347003   | 434100332P                     | 434100340P            | 434100350P            | 434100363P            |
| Neutral  | Black                                    | 434700N   | 434100N32P                     | 434100N40P            | 434100N50P            | 434100N63P            |
| Earth    | Green                                    | 434700T   | 434100T32P                     | 434100T40P            | 434100T50P            | 434100T63P            |
| Positive | Red                                      | 434700P   | 434100P32P                     | 434100P40P            | 434100P50P            | 434100P63P            |
| Negative | Black                                    | 434700M   | 434100M32P                     | 434100M40P            | 434100M50P            | 434100M63P            |

For the UK, South Africa and India, replace the first two digits by 44.

| Type     | USA   | Reference | Reference<br>16-25 mm | Reference<br>22-32 mm | Reference<br>28-38 mm | Reference<br>40-48 mm |
|----------|-------|-----------|-----------------------|-----------------------|-----------------------|-----------------------|
| L1       | Black | 4247001*  | 424100132P            | 424100140P            | 424100150P            | 424100163P            |
| L2       | Red   | 4247002*  | 424100232P            | 424100240P            | 424100250P            | 424100263P            |
| L3       | Blue  | 4247003*  | 424100332P            | 424100340P            | 424100350P            | 424100363P            |
| Neutral  | White | 424700N*  | 424100N32P            | 424100N40P            | 424100N50P            | 424100N63P            |
| Earth    | Green | 424700T*  | 424100T32P            | 424100T40P            | 424100T50P            | 424100T63P            |
| Positive | Red   | 424700P*  | 424100P32P            | 424100P40P            | 424100P50P            | 424100P63P            |
| Negative | Black | 424700M*  | 424100M32P            | 424100M40P            | 424100M50P            | 424100M63P            |

\* cCSAus certified products.

For mobile socket-outlets or wall-mounted inlet references, contact us.

## COPPER LUGS

**Lug choice depends on the cable:** the cross-section of the flexible cable mentioned in the table below is for information only. Please check dimensions as these may vary according to cable types and manufacturers.



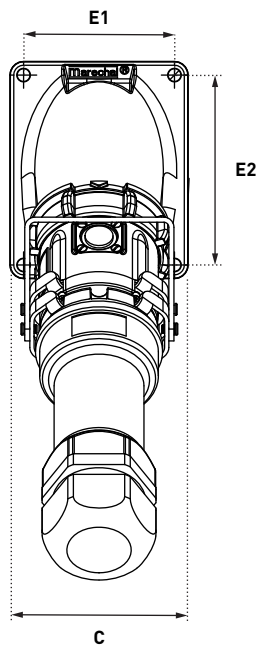
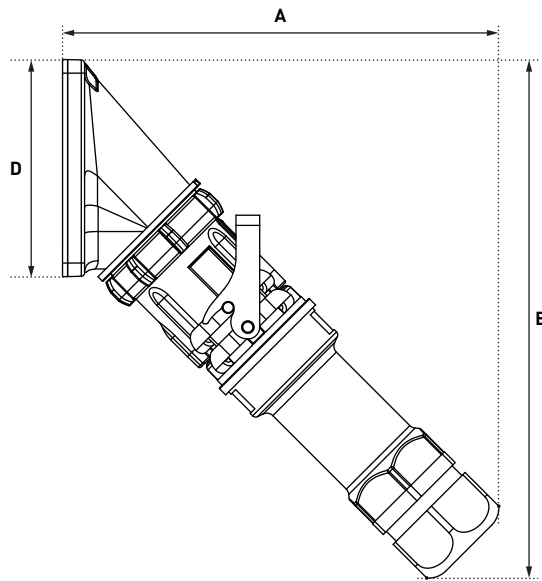
| Wiring (mm²) |          | Straight with hole | Straight threaded M12 | Internal diameter (mm) | External diameter (mm)* |
|--------------|----------|--------------------|-----------------------|------------------------|-------------------------|
| Flexible     | Stranded | Reference          | Reference             |                        |                         |
| 50           | 70       | 454A50C            | 454A50D               | 11                     | 15                      |
| 70           | 95       | 454A70C            | 454A70D               | 13.1                   | 18                      |
| 95           | 120      | 45AA95C            | 454A95D               | 14.5                   | 19                      |
| 120          | 150      | 454A12C            | 454A12D               | 16.2                   | 21                      |
| 150          | 185      | 454A15C            | 454A15D               | 18                     | 24                      |
| 185          | 240      | 454A18C            | 454A18D               | 20.6                   | 26                      |
| 240          | 300      | 454A24C            | 454A24D               | 23.1                   | 29                      |
| 300          | 400      | 454A30C            | 454A30D               | 26.1                   | 32                      |
| 400          | 500      | 454A40C            | 454A40D               | 29.2                   | 40                      |
| 500          | 630      | 454A500C           | 454A500D              | 33.2                   | 42                      |
| 630          | /        | /                  | 454A63D               | 37.6                   | 52                      |

For male contact, wiring with crimping lugs, according to NF C20-130 standard (for VDE 0220 standard, please contact us). Crimping: Double hexagonal crimping is recommended.

\*Choose the crimping tool according to the external diameter of your lug.

# DRAWINGS AND DIMENSIONS

PLUG ON 30° ANGLED SOCKET OUTLET



|        | A   | B   | C   | D   | E1 | E2  |
|--------|-----|-----|-----|-----|----|-----|
| SP M50 | 254 | 306 | 105 | 128 | 89 | 112 |



## MAIN FEATURES



12 CONTACTS

10 A

### PXN12C



25 CONTACTS

10 A

### DXN25C



37 CONTACTS

10 A

### DXN37C



◀◀  II 2 G D Ex e IIC Gb, Ex tb IIIC Db ▶▶

◀◀ II 2 G D Ex ia ou ib IIC Gb ▶▶

◀◀ padlocking when connected or disconnected ▶▶

◀◀ Corrosion protected metal casing ▶▶

### MULTICONNECTIONS PXN12C, DXN25C AND DXN37C CONNECTORS COMPLY WITH:

- ATEX European Directive (affixing "Ex" symbol and CE marking),
- RoHS Directive (affixing CE marking),
- REACH European Regulation,
- IEC/EN 60079-0, IEC/EN 60079-7 and IEC/EN 60079-31 standards.

### PXN12C, DXN25C AND DXN37C CERTIFICATION BODIES

Products are certified by LCIE (ATEX and IECEx), NANIO (TR CU EAC), EXPLORLABS (SANS) and KGS (KCS\*) (French, Russian, South African and South Korean notified bodies).

\*DXN37C excluded





## SIMPLE ASSEMBLY AND DISASSEMBLY

### FAST WIRING

- Cable conductors: 1 mm<sup>2</sup> to 2,5 mm<sup>2</sup>.
- Before wiring, add a heat-shrink sleeve or insulating sleeve on each conductor.
- After wiring, cover the visible portion of the contact with the sleeve.
- Crimp the contact with a KNIPEX crimping tool P/N° 61CA500 or a GREENLEE crimping tool P/N° 45505.
- Use the 4 mm<sup>2</sup> footprint whatever the conductor cross-section.
- Perform a double crimping in compliance with CEI 60352-2 standard.
- Conductors can equally be soldered.

### ASSEMBLY

To insert contacts when they have been wired is simple.  
Push wired contact into rear of insulator until it stops to complete the installation.



### DISASSEMBLY

To remove, use the tool provided.  
Push tool from front onto contact until tool stops.  
Contact is then released at rear of insulator.



# 12 CONTACTS

10 A

220 V  
U<sub>MAXI</sub>

## CONNECTORS MULTICONTACTS PXN12C

MARECHAL ELECTRIC FRANCE

Ex II 2 G D Ex e IIC T5 Gb

EX TB IIIC T69°C DB

-40 °C ≤ Ta ≤ +55 °C

IECEX LCIE 14.0041X / LCIE 07 ATEX 6070X

MARECHAL ELECTRIC FRANCE

Ex II 2 G D EX IA OU IB IIC T6 GB

EX TB IIIC T69°C DB

-40 °C ≤ Ta ≤ +55 °C

IECEX LCIE 14.0041X / LCIE 07 ATEX 6070X



IP65  
IP66



1-2,5 mm<sup>2</sup>



METAL



IK09



-40 °C  
+55 °C



ATEX



1, 2,  
21, 22

### OTHER FEATURES

Rated current (with wiring according to standard)

4-20 mA/10 A

Terminals wiring

crimping

Flexible wiring (min.-max.).

1-2,5 mm<sup>2</sup>

### STANDARDS

International and European IEC/EN standards

60079-0, 60079-7 et 60079-31

Protection mode

e, tb  
ia or ib, tb (consult us)

## REFERENCES AND OPTIONS

### WALL MOUNTING

socket female  
PXN12C



PLUG male  
PXN12C



| Input | Cable outer Ø | Reference  | Input | Cable outer Ø | Reference  |
|-------|---------------|------------|-------|---------------|------------|
| M25   | 9-16 mm       | 06A000125M | M25   | 9-16 mm       | 06A100125M |
| M32   | 12-21 mm      | 06A0001    | M32   | 12-21 mm      | 06A1001    |



Connection or  
disconnection screw  
locking imprint  
BTR 2.5.

### INCLINED SOCKET FEMALE PXN12C



INCLINED  
APPLIANCE inlet male  
PXN12C



| Reference | Reference |
|-----------|-----------|
| 06A7001   | 06A9001   |

Each product is  
supplied with 1 bag of  
13 contacts depending  
on the maximum  
configuration.  
This allows you to set  
up the product to suit  
your needs.

### COUPLER SOCKET female PXN12C



INCLINED  
APPLIANCE inlet  
PXN12C



| Input | Cable outer Ø | Reference  | Input | Cable outer Ø | Reference  |
|-------|---------------|------------|-------|---------------|------------|
| M25   | 9-16 mm       | 06A300125M | M25   | 9-16 mm       | 06A600125M |
| M32   | 12-21 mm      | 06A3001    | M32   | 12-21 mm      | 06A6001    |

### INFOS +

Leaving 2 contacts unused can give 9 different keying positions (on socket outlet side or mobile plug side) using the two specific stopping plugs supplied.

#### OPTIONS

Reference

##### BAG OF 13 FEMALES CONTACTS



01AA213

##### BAG OF 13 MALES CONTACTS



01AA113

##### REMOVAL KEY



61CA593

#### OPTIONS

Reference

##### CRIMPING TOOL



61CA500

##### HELAVIA SLEEVE EXPANSION TOOL



61CA400

##### BAG OF 13 HEAT SHRINK INSULATION SLEEVES

61CA083

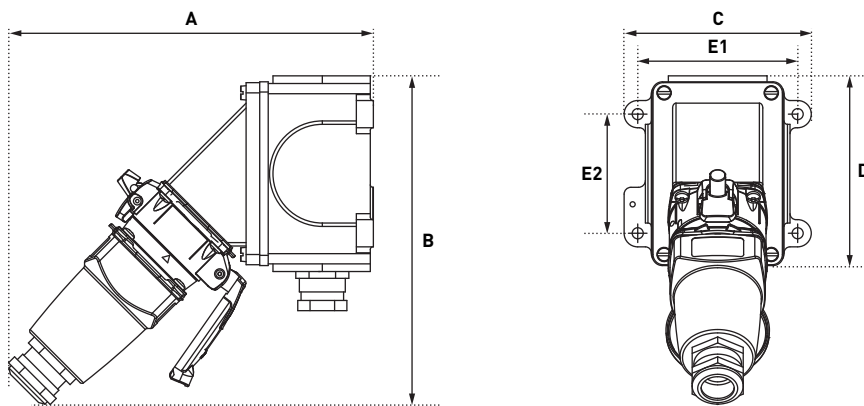
##### INLET CAP



01NA426

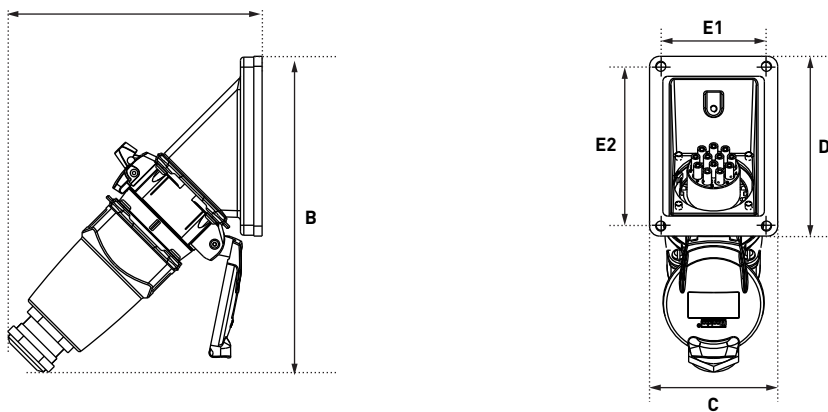
# DRAWINGS AND DIMENSIONS

## PLUG ON 45° WALL MOUNTED SOCKET OUTLET



| A   | B   | C   | D   | E1 | E2 |
|-----|-----|-----|-----|----|----|
| 213 | 193 | 110 | 114 | 94 | 70 |

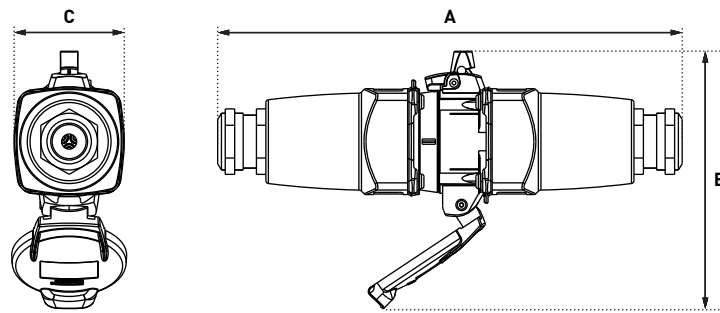
## PLUG ON 45° INCLINED SOCKET OUTLET



| A   | B   | C  | D   | E1 | E2 |
|-----|-----|----|-----|----|----|
| 153 | 189 | 77 | 107 | 63 | 95 |



## COUPLER



| A   | B   | C  |
|-----|-----|----|
| 246 | 136 | 58 |



# 25 CONTACTS

10 A

440 V  
U<sub>MAXI</sub>

## CONNECTORS MULTICONTACTS DXN25C

MARECHAL ELECTRIC FRANCE

II 2 G D Ex e IIC T\* Gb

EX TB IIIC T\*\* DB

-40 °C ≤ Ta ≤ +40 °C : T6 T51°C

-40 °C ≤ Ta ≤ +60 °C : T5 T71°C

IECEX LCIE 14.0040X / LCIE 09 ATEX 3050X

MARECHAL ELECTRIC FRANCE

II 2 G D Ex ia ou ib IIC T6 Gb

EX TB IIIC T\*\* DB

-40 °C ≤ Ta ≤ +40 °C : T51°C

-40 °C ≤ Ta ≤ +60 °C : T71°C

IECEX LCIE 14.0040X / LCIE 09 ATEX 3050X



IP66  
IP67



1-2,5 mm<sup>2</sup>



METAL



IK09



-40 °C  
+60 °C



ATEX



1, 2,  
21, 22

### OTHER FEATURES

Rated current (with wiring according to standard)

4-20mA/10A

Terminals wiring

Crimping

Flexible wiring (min.-max.).

1-2,5 mm<sup>2</sup>

### STANDARDS

International and European IEC/EN standards

60079-0, 60079-7 et 60079-31

Protection mode

e, tb  
ia or ib, tb (consult us)

# REFERENCES AND OPTIONS

## WALL MOUNTING

socket female  
DXN25c



PLUG male  
DXN25c



| Input | Cable outer Ø | Reference  | Input | Cable outer Ø | Reference  |
|-------|---------------|------------|-------|---------------|------------|
| M32   | 12-21 mm      | 36D000232M | M32   | 12-21 mm      | 36D100232M |
| M40   | 16-27 mm      | 36D0002    | M40   | 16-27 mm      | 36D1002    |



Locking position  
connected or  
disconnected by  
lockable shaft.

Other accessories  
on request.

Each product is  
supplied with 2 bags of  
13 contacts depending  
on the maximum  
configuration.  
This allows you to set  
up the product to suit  
your needs.  
Delivered with  
padlocking shaft.

## INCLINED SOCKET FEMALE

DXN25c



## INCLINED APPLIANCE inlet male

DXN25c



| Reference | Reference |
|-----------|-----------|
| 36D7002   | 36D9002   |

## COUPLER SOCKET

female  
DXN25c



## INCLINED APPLIANCE inlet

DXN25c



| Input | Cable outer Ø | Reference  | Input | Cable outer Ø | Reference  |
|-------|---------------|------------|-------|---------------|------------|
| M32   | 12-21 mm      | 36D300232M | M32   | 12-21 mm      | 36D600232M |
| M40   | 16-27 mm      | 36D3002    | M40   | 16-27 mm      | 36D6002    |

## INFOS +

Leaving 2 contacts unused can give 9 different keying positions (on socket outlet side or mobile plug side) using the two specific stopping plugs supplied.

### OPTIONS

Reference

#### BAG OF 13 FEMALES CONTACTS



01AA213

#### BAG OF 13 MALES CONTACTS



61CA113

#### REMOVAL KEY



61CA593

### OPTIONS

Reference

#### CRIMPING TOOL



61CA500

#### HELAVIA SLEEVE EXPANSION TOOL



61CA400

#### BAG OF 13 HEAT SHRINK INSULATION SLEEVES

61CA083

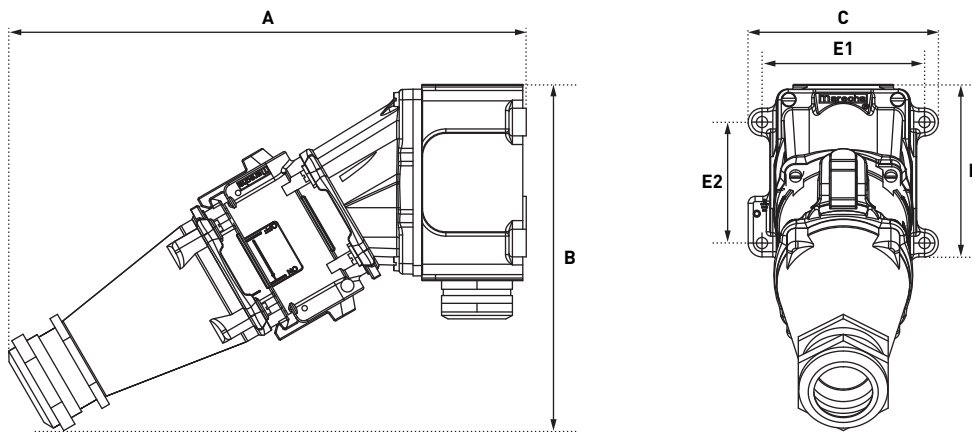
#### INLET CAP IP66/IP67



313A426

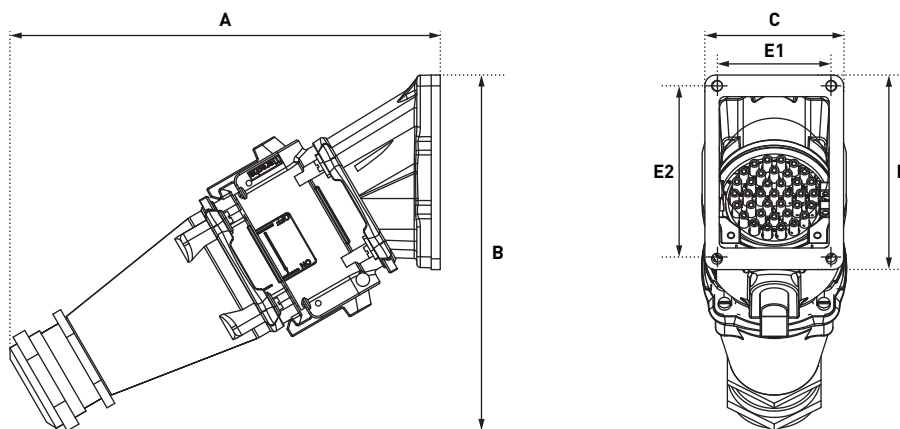
# DRAWINGS AND DIMENSIONS

## PLUG ON 30° WALL MOUNTED SOCKET OUTLET



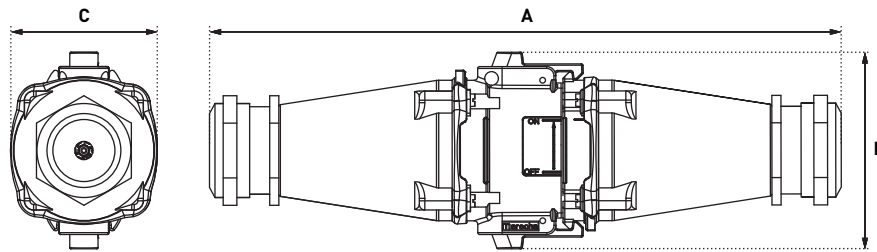
| A   | B   | C   | D   | E1 | E2 |
|-----|-----|-----|-----|----|----|
| 299 | 200 | 110 | 114 | 94 | 70 |

## PLUG ON 30° INCLINED SOCKET-OUTLET



| A   | B   | C  | D   | E1 | E2 |
|-----|-----|----|-----|----|----|
| 239 | 197 | 77 | 107 | 63 | 95 |

**COUPLER**



| A   | B   | C  |
|-----|-----|----|
| 346 | 108 | 80 |



# 37 CONTACTS

10 A

230 V  
U<sub>MAXI</sub>

## CONNECTORS MULTICONTACTS DXN37C

MARECHAL ELECTRIC FRANCE

II 2 G D Ex e IIC T\* Gb

EX TB IIIC T\*\* DB

-40 °C ≤ Ta ≤ +40 °C : T6 T56°C

-40 °C ≤ Ta ≤ +55 °C : T5 T76°C

IECEx LCIE 14.0038X / LCIE 07 ATEX 6071X

MARECHAL ELECTRIC FRANCE

II 2 G D Ex ia ou ib IIC T6 Gb

EX TB IIIC T\*\* DB

-40 °C ≤ Ta ≤ +40 °C : T56°C

-40 °C ≤ Ta ≤ +55 °C : T76°C

IECEx LCIE 14.0038X / LCIE 07 ATEX 6071X



IP66  
IP67



1-2,5 mm<sup>2</sup>



METAL



IK09



-40 °C  
+55 °C



ATEX



1, 2,  
21, 22

### OTHER FEATURES

Rated current (with wiring according to standard)

4-20mA/10A

Terminals wiring :

crimping

Flexible wiring (min.-max.).

1-2,5 mm<sup>2</sup>

### STANDARDS

International and European IEC/EN standards

60079-0, 60079-7 et 60079-31

Protection mode

e, tb  
ia or ib, tb (consult us)

## REFERENCES AND OPTIONS

### WALL MOUNTING

socket female  
DXN37C



| Input | Cable outer Ø | Reference  |
|-------|---------------|------------|
| M32   | 12-21 mm      | 36C000332M |
| M40   | 16-27 mm      | 36C0003    |

PLUG male  
DXN37C



| Input | Cable outer Ø | Reference  |
|-------|---------------|------------|
| M32   | 12-21 mm      | 36C100332M |
| M40   | 16-27 mm      | 36C1003    |



Locking position  
connected or  
disconnected by  
lockable shaft.

Other accessories  
on request.

Each product is  
supplied with 3 bags of  
13 contacts depending  
on the maximum  
configuration.  
This allows you to set  
up the product to suit  
your needs.  
Delivered with  
padlocking shaft.

### INCLINED SOCKET FEMALE DXN37C



| Reference | Reference |
|-----------|-----------|
| 36C7003   | 36C9003   |

### INCLINED APPLIANCE inlet male DXN37C



### COUPLER SOCKET female DXN37C



| Input | Cable outer Ø | Reference  |
|-------|---------------|------------|
| M32   | 12-21 mm      | 36C300332M |
| M40   | 16-27 mm      | 36C3003    |

### INCLINED APPLIANCE inlet DXN37C



## INFOS +

Leaving 2 contacts unused can give 9 different keying positions (on socket outlet side or mobile plug side) using the two specific stopping plugs supplied.

### OPTIONS

Reference

#### BAG OF 13 FEMALES CONTACTS



01AA213

#### BAG OF 13 MALES CONTACTS



61CA113

#### REMOVAL KEY



61CA593

### OPTIONS

Reference

#### CRIMPING TOOL



61CA500

#### HELAVIA SLEEVE EXPANSION TOOL



61CA400

#### BAG OF 13 HEAT SHRINK INSULATION SLEEVES

61CA083

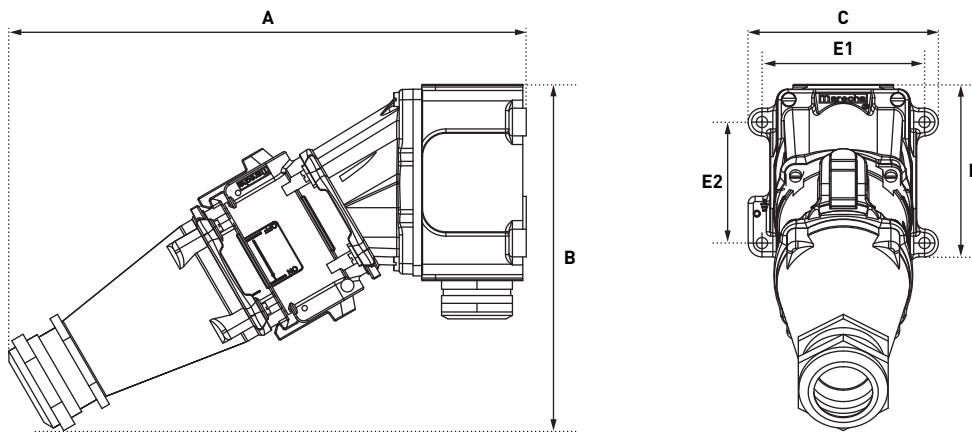
#### INLET CAP IP66/IP67



313A426

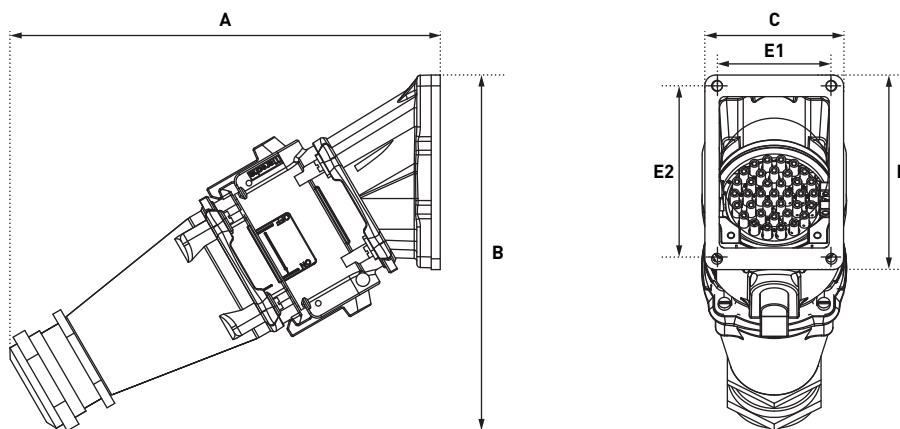
# DRAWINGS AND DIMENSIONS

## PLUG ON 30° WALL MOUNTED SOCKET OUTLET



| A   | B   | C   | D   | E1 | E2 |
|-----|-----|-----|-----|----|----|
| 299 | 200 | 110 | 114 | 94 | 70 |

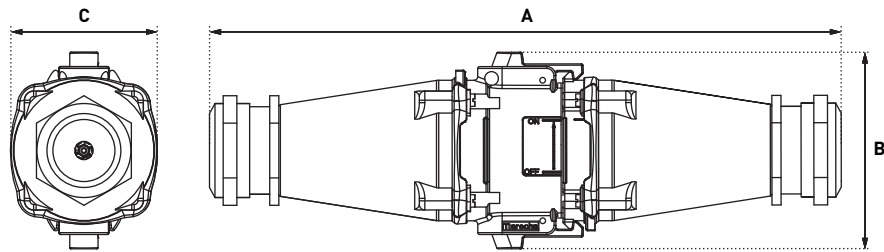
## PLUG ON 30° INCLINED SOCKET-OUTLET



| A   | B   | C  | D   | E1 | E2 |
|-----|-----|----|-----|----|----|
| 239 | 197 | 77 | 107 | 63 | 95 |



## COUPLER



| A   | B   | C  |
|-----|-----|----|
| 346 | 108 | 80 |



# BOXES



## EMPTY ENCLOSURES

## DISTRIBUTION AND JUNCTION

### B2X/CDX INCREASED SAFETY ENCLOSURES



292

- II 2 G D Ex eb IIC, Ex tb IIIC Db
- GRP casing
- 120x120 mm or 160x160 mm or 342x225x156 mm
- On hinges

### B2X SOCKET OR JUNCTION BOXES



P. 294

- II 2 G D Ex e IIC, Ex tb IIIC
- Intrinsic safety capability
- GRP casing
- For Ex socket and/or EX terminals
- 120x120 mm ou 160x160 mm
- On hinges

### MXBJ JUNCTION BOXES



P. 298

- II 2 G D Ex eb IIC, Ex tb IIIC
- Intrinsic safety capability
- GRP casing, aluminium, stainless steel AISI 316L
- Custom configuration

### MXBS SOCKET-OUTLET COMBINATION BOXES



P. 300

- II 2 G D Ex eb IIC, Ex tb IIIC
- Intrinsic safety capability
- Assembly of multi-contact connectors and socket-outlets on the same enclosure
- GRP casing, aluminium, stainless steel AISI 316L
- Custom configuration

## CONTROL AND SIGNALLING

## ENCLOSURES

### CONTROL STATIONS



Increased  
safety



Flameproof



IIB + H2



IIC

#### P. 302

- II 2 G D Ex eb IIC, Ex tb IIIC
- or II 2 G D Ex db IIC, Ex tb IIIC
- Intrinsic safety option
- A wide range of boxes equipped with certified accessories (push buttons, light indicators etc...)
- GRP casing, aluminium, stainless steel AISI 316L
- Custom configuration

#### P. 304

- II 2 G D Ex db IIB ou IIB+H<sub>2</sub> ou IIC
- or II 2 G D Ex d IIC, Ex tb IIIC
- A wide range of metal boxes (cast aluminium or stainless steel) equipped with certified accessories (push buttons, rotating buttons, light indicators, potentiometers...)
- Custom configuration

# INCREASED SAFETY ENCLOSURES B2X/CDX



IP66  
IP67



GRP



IK09



B2X  
-50 °C  
+85 °C



CDX  
-25 °C  
+90 °C



ATEX



1, 2,  
21, 22

## OTHER FEATURES

CDX modularity

Flat or angled covers



## STANDARDS

International and European IEC/EN standards

62262, 60079-0, 60079-7 and 60079-31

## MARKING AND CERTIFICATION

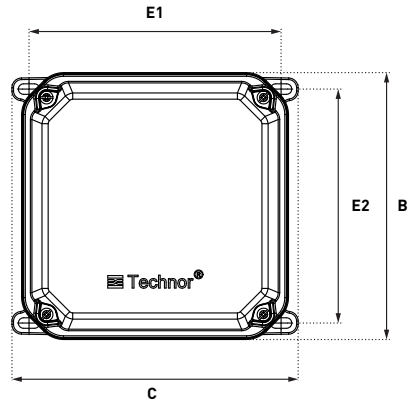
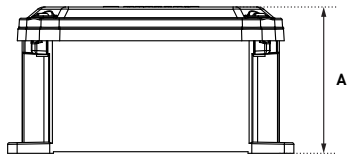
ATEX markings

 II 2 G Ex eb IIC Gb  
 II 2 D Ex tb IIIC Db

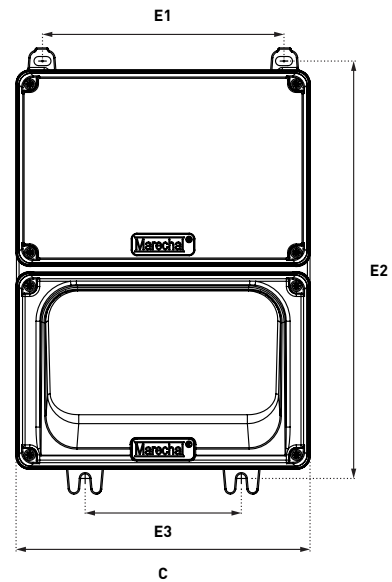
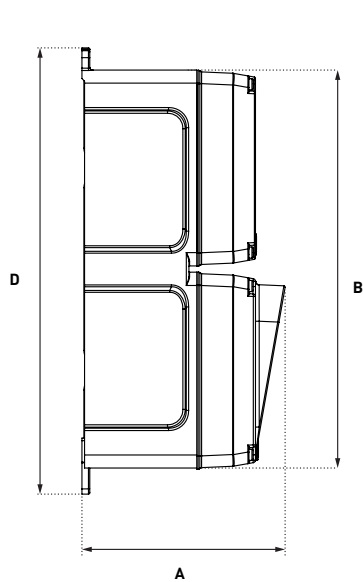
Certificates

IECEX and ATEX component certificates pending

# DRAWINGS AND DIMENSIONS



|                | A  | B   | C   | E1  | E2  |
|----------------|----|-----|-----|-----|-----|
| <b>120x120</b> | 91 | 141 | 126 | 117 | 106 |
| <b>160x160</b> | 91 | 178 | 166 | 157 | 146 |



|            | A   | B   | C   | D   | E1  | E2  | E3  |
|------------|-----|-----|-----|-----|-----|-----|-----|
| <b>CDX</b> | 156 | 305 | 225 | 342 | 185 | 320 | 120 |

# SOCKET OR JUNCTION BOXES B2X



IP66  
IP67



0,22 –  
35 mm<sup>2</sup>



GRP



IK09



-50 °C  
+60 °C



ATEX



1, 2,  
21, 22



Existing terminal configurations for 25 A, 32 A, 45 A and 63 A.

## OTHER FEATURES

|  |                           |
|--|---------------------------|
| Dimensions                               | 120x120x90 and 160x160x90 |
| Fitting                                  | Certified Ex e terminals  |
| Cable entries                            | M12 to M40                |
| Flexible and stranded wiring (min.-max.) | 0,22 – 35 mm <sup>2</sup> |

## STANDARDS

|   |   |
|---|---|
| International and European IEC/EN standards | 62262, 60079-0, 60079-7, 60079-11 et 60079-31 |
|---|---|

## ASSOCIATED MARECHAL® PRODUCTS

|                         |                           |
|-------------------------|---------------------------|
| DECONTACTOR™            | DXA1, DXN1, DXN3 and DXN6 |
| Connectors              | PNCX                      |
| Multicontact connectors | PXN12C                    |

## MARKING AND CERTIFICATION

ATEX markings

II 2 G Ex e IIC T<sup>(2)</sup> Gb  
 or Ex ia ou ib IIC T<sup>(2)</sup> Gb or Ex e ia ou ib IIC T<sup>(2)</sup> Gb  
 II 2 D Ex tb IIC T<sup>(2)</sup> Db

<sup>(2)</sup> depending on configurations and ambient T° T<sub>6</sub>/T<sub>5</sub>/T<sub>4</sub> for the gas.

Certificates

Certificates IECEX N° IECEX LCIE 16.0042X  
ATEX N° LCIE 16 ATEX 3054X

## CONFIGURATIONS

- For standard configurations of socket boxes with terminals, see the DXN1, DXN3 and DXN6 pages.
- For special configurations, contact us.



### ACCESSORIES ON REQUEST

- Earth stud
- Earth bar
- Junction bar
- Draining and breathing device
- Earth continuity plate
- Metal cable gland with or without earth continuity

# CONFIGURATION TYPES

## POLYAMIDE CABLE GLAND



Junction box in GRP, with polyamide cable glands, blanking-plug, terminals as described.

| SIZE             | CONFIG. | CABLE GLAND           | STOPPING PLUG<br>(as free part) | TERMINAL                         | MAX CURRENT <sup>(1)</sup> | ARTICLE NUMBER |
|------------------|---------|-----------------------|---------------------------------|----------------------------------|----------------------------|----------------|
| 120x120x90<br>mm |         | 2 x M20<br>(10-14 mm) | /                               | 5 x 4 mm <sup>2</sup><br>+ 2 E   | 25 A                       | 24A1C0000J169  |
|                  |         | 3 x M20<br>(10-14 mm) | 1 x M20                         | 5 x 4 mm <sup>2</sup><br>+ 2 E   | 25 A                       | 24A1C0000J170  |
|                  |         | 4 x M20<br>(10-14 mm) | 2 x M20                         | 7 x 4 mm <sup>2</sup><br>+ 2 E   | 25 A                       | 24A1C0000J171  |
|                  |         | 2 x M25<br>(12-18 mm) | /                               | 5 x 6 mm <sup>2</sup><br>+ 2 E   | 32 A                       | 24A1D0000J172  |
|                  |         | 3 x M25<br>(12-18 mm) | 1 x M25                         | 5 x 6 mm <sup>2</sup><br>+ 2 E   | 32 A                       | 24A1D0000J173  |
|                  |         | 4 x M25<br>(12-18 mm) | 2 x M25                         | 7 x 6 mm <sup>2</sup><br>+ 2 E   | 32 A                       | 24A1D0000J174  |
| 160x160x90<br>mm |         | 2 x M32<br>(16-25 mm) | /                               | 5 x 10 mm <sup>2</sup><br>+ 2 E  | 45 A                       | 24C1E0000J175  |
|                  |         | 3 x M32<br>(16-25 mm) | 1 x M32                         | 5 x 10 mm <sup>2</sup><br>+ 2 E  | 45 A                       | 24C1E0000J176  |
|                  |         | 4 x M32<br>(16-25 mm) | 2 x M32                         | 7 x 10 mm <sup>2</sup><br>+ 2 E  | 45 A                       | 24C1E0000J177  |
|                  |         | 2 x M40<br>(22-32 mm) | /                               | 5 x 16 mm <sup>2</sup><br>+ 2 E  | 63 A                       | 24C1F0000J178  |
|                  |         | 3 x M40<br>(22-32 mm) | 1 x M40                         | 5 x 16 mm <sup>2</sup><br>+ 2 E  | 63 A                       | 24C1F0000J179  |
|                  |         | 4 x M40<br>(22-32 mm) | 2 x M40                         | 7 x 16 mm <sup>2</sup><br>+ 2 E  | 63 A                       | 24C1F0000J180  |
|                  |         | 6 x M20<br>(10-14 mm) | 3 x M20                         | 12 x 4 mm <sup>2</sup><br>+ 4 E  | 25 A                       | 24C1C0000J195  |
|                  |         | 8 x M20<br>(10-14 mm) | 4 x M20                         | 14 x 4 mm <sup>2</sup><br>+ 4 E  | 25 A                       | 24C1C0000J196  |
|                  |         | 6 x M25<br>(12-18 mm) | 3 x M25                         | 12 x 6 mm <sup>2</sup><br>+ 4 E  | 32 A                       | 24C1D0000J197  |
|                  |         | 8 x M25<br>(12-18 mm) | 4 x M25                         | 12 x 6 mm <sup>2</sup><br>+ 4 E  | 32 A                       | 24C1D0000J198  |
|                  |         | 6 x M32<br>(16-25 mm) | 3 x M32                         | 10 x 10 mm <sup>2</sup><br>+ 3 E | 45 A                       | 24C1E0000J199  |
|                  |         | 8 x M32<br>(16-25 mm) | 4 x M32                         | 10 x 10 mm <sup>2</sup><br>+ 3 E | 45 A                       | 24C1E0000J200  |

[1] Maximum current, at +60°C, for the maximum cable cross-section per terminal of the configuration concerned.  
Details and drawings available on request.



According to configurations and the temperature class requested, the maximum current can be modified.  
Contact us for other configurations and boxes.



# CONFIGURATION TYPES

## POLYAMIDE CABLE GLAND



Junction box in GRP, with cable glands, blanking-plug, terminals as described.

| SIZE             | CONFIG. | CABLE GLAND                 | STOPPING PLUG<br>(as free part) | TERMINAL                      | MAX CURRENT <sup>(1)</sup> | ARTICLE NUMBER |
|------------------|---------|-----------------------------|---------------------------------|-------------------------------|----------------------------|----------------|
| 120x120x90<br>mm |         | 2 x M20<br>(6-12/8-17 mm)   | /                               | 5 x 4 mm <sup>2</sup> + 2 E   | 25A                        | 24A1C0000J201  |
|                  |         | 3 x M20<br>(6-12/8-17 mm)   | 1 x M20                         | 5 X 4 mm <sup>2</sup> + 2 E   | 25A                        | 24A1C0000J202  |
|                  |         | 4 x M20<br>(6-12/8-17 mm)   | 2 x M20                         | 7 X 4 mm <sup>2</sup> + 2 E   | 25A                        | 24A1C0000J203  |
|                  |         | 2 x M25<br>(6-17/14-23 mm)  | /                               | 5 X 6 mm <sup>2</sup> + 2 E   | 32A                        | 24A1D0000J204  |
|                  |         | 3 x M25<br>(6-17/14-23 mm)  | 1 x M25                         | 5 X 6 mm <sup>2</sup> + 2 E   | 32A                        | 24A1D0000J205  |
|                  |         | 4 x M25<br>(6-17/14-23 mm)  | 2 x M25                         | 7 X 6 mm <sup>2</sup> + 2 E   | 32A                        | 24A1D0000J206  |
| 160x160x90<br>mm |         | 2 x M32<br>(14-23/20-29 mm) | /                               | 5 X 10 mm <sup>2</sup> + 2 E  | 45A                        | 24C1E0000J207  |
|                  |         | 3 x M32<br>(14-23/20-29 mm) | 1 x M32                         | 5 X 10 mm <sup>2</sup> + 2 E  | 45A                        | 24C1E0000J208  |
|                  |         | 4 x M32<br>(14-23/20-29 mm) | 2 x M32                         | 7 X 10 mm <sup>2</sup> + 2 E  | 45A                        | 24C1E0000J209  |
|                  |         | 2 x M40<br>(23-36/29-42 mm) | /                               | 5 X 16 mm <sup>2</sup> + 2 E  | 63A                        | 24C1F0000J210  |
|                  |         | 3 x M40<br>(23-36/29-42 mm) | 1 x M40                         | 5 X 16 mm <sup>2</sup> + 2 E  | 63A                        | 24C1F0000J211  |
|                  |         | 4 x M40<br>(23-36/29-42 mm) | 2 x M40                         | 7 X 16 mm <sup>2</sup> + 2 E  | 63A                        | 24C1F0000J212  |
|                  |         | 6 x M20<br>(6-12/8-17 mm)   | 3 x M20                         | 12 X 4 mm <sup>2</sup> + 4 E  | 25A                        | 24C1C0000J213  |
|                  |         | 8 x M20<br>(6-12/8-17 mm)   | 4 x M20                         | 14 X 4 mm <sup>2</sup> + 4 E  | 25A                        | 24C1C0000J214  |
|                  |         | 6 x M25<br>(6-17/14-23 mm)  | 3 x M25                         | 12 X 6 mm <sup>2</sup> + 4 E  | 32A                        | 24C1D0000J215  |
|                  |         | 8 x M25<br>(6-17/14-23 mm)  | 4 x M25                         | 12 X 6 mm <sup>2</sup> + 4 E  | 32A                        | 24C1D0000J216  |
|                  |         | 6 x M32<br>(14-23/20-29 mm) | 3 x M32                         | 10 X 10 mm <sup>2</sup> + 3 E | 45A                        | 24C1E0000J217  |
|                  |         | 8 x M32<br>(14-23/20-29 mm) | 4 x M32                         | 10 X 10 mm <sup>2</sup> + 3 E | 45A                        | 24C1E0000J218  |

[1] Maximum current, at +60°C, for the maximum cable cross-section per terminal of the configuration concerned.  
Details and drawings available on request.



According to configurations and the temperature class requested, the maximum current can be modified.  
Contact us for other configurations and boxes.

# JUNCTION BOXES

## MXBJ



IP66



0,2 -  
300 mm<sup>2</sup>



GRP  
METAL



IK09



-25 °C<sup>(1)</sup>  
+60 °C



ATEX



1, 2,  
21, 22



Existing terminal  
configurations up to 400 A.

### OTHER FEATURES

|  |   |
|--|---|
| Material                                 | GRP casing, aluminium, stainless steel AISI 316L. |
| Cable entries                            | M12 to M80.                                       |
| Flexible and stranded wiring (min.-max.) | 0,2 - 300 mm <sup>2</sup>                         |

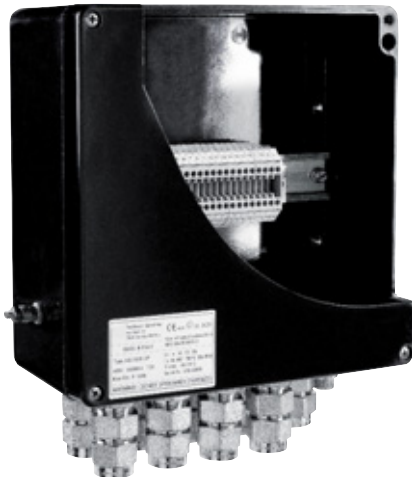
### STANDARDS

|   |  |
|---|--|
| International and European IEC/EN standards | 62262, 60079-0, 60079-7, 60079-11 et 60079-31. |
|---|--|

### MARKING AND CERTIFICATION

|               |  |
|---------------|--|
| ATEX markings | II 2 G Ex eb IIC T <sup>(2)</sup> Gb increased safety<br>II 2 G Ex ia IIC T <sup>(2)</sup> Gb or<br>II 2 G Ex ib IIC T <sup>(2)</sup> Gb intrinsic safety<br>II 2 G Ex eb ib or ia IIC T <sup>(2)</sup> Gb increased safety and intrinsic safety<br>II 2 D Ex tb IIIC T <sup>(2)</sup> Db in dust. |
|               | <sup>(2)</sup> Depending on ambient temperature and terminals used.  |
|               |  |

|              |  |
|--------------|--|
| Certificates | Certificates IECEx N° IECEx LCI 11.0026X<br>et ATEX N° LCIE 11 ATEX 3028X. |
|--------------|--|



**i**

**ACCESSORIES ON REQUEST**

- Earth stud
- Earth bar
- Shield bar
- Junction bar
- Hinges
- Mounting
- Purge or breather
- Earthing plate
- Metal gland with or without earth ring

# SOCKET-OUTLET COMBINATION BOXES MXBS



IP66



0,22 -  
400 mm<sup>2</sup>



GRP  
METAL



IK09



-25 °C<sup>(1)</sup>  
+60 °C



ATEX



1, 2,  
21, 22

Existing terminal configurations up to 680 A.



## OTHER FEATURES

|  |   |
|--|---|
| Material                                 | Casing in GRP, aluminium alloy or stainless steel.<br>Screws in stainless steel.  |
| Junction                                 | Terminal blocks. Feed through and loop-in loop-out connection.  |
| Cable entries                            | M12 to M80 depending on the size of the box/Polyamide cable gland for unarmoured cable.<br>Nickel plated brass cable gland for unarmoured cable and armoured cable (with plate or washer bonding inside the box). |
| Flexible and stranded wiring (min.-max.) | 0,22 - 400 mm <sup>2</sup>  |

## STANDARDS

International and European IEC/EN standards 62262, 60079-0, 60079-7, 60079-11 et 60079-31.

## MARKING AND CERTIFICATION

|               |  |
|---------------|--|
| ATEX markings | <p>  II 2 G Ex ia IIC T<sup>(2)</sup> Gb<br/>  II 2 G Ex ib IIC T<sup>(2)</sup> Gb intrinsic safety<br/>  II 2 G Ex eb ia or eb ib IIC T<sup>(2)</sup> Gb increased safety and intrinsic safety<br/>  II 2 D Ex tb IIIC T<sup>(2)</sup> Db in dust.         </p> |
|---------------|--|

<sup>(2)</sup> Depending on ambient temperature and connectivity used..

|              |   |
|--------------|---|
| Certificates | Certificates IECEx N° IECEx LCI 11.0042X<br>ATEX n° LCIE 11 ATEX 3047X. |
|--------------|---|

**ASSOCIATED MARECHAL® PRODUCTS**

|                         |                           |
|-------------------------|---------------------------|
| DECONTACTOR™            | DXA1, DXN1, DXN3 and DXN6 |
| Connectors              | PNCX and SPeX             |
| Multicontact connectors | PXN12C, DXN25C and DXN37C |

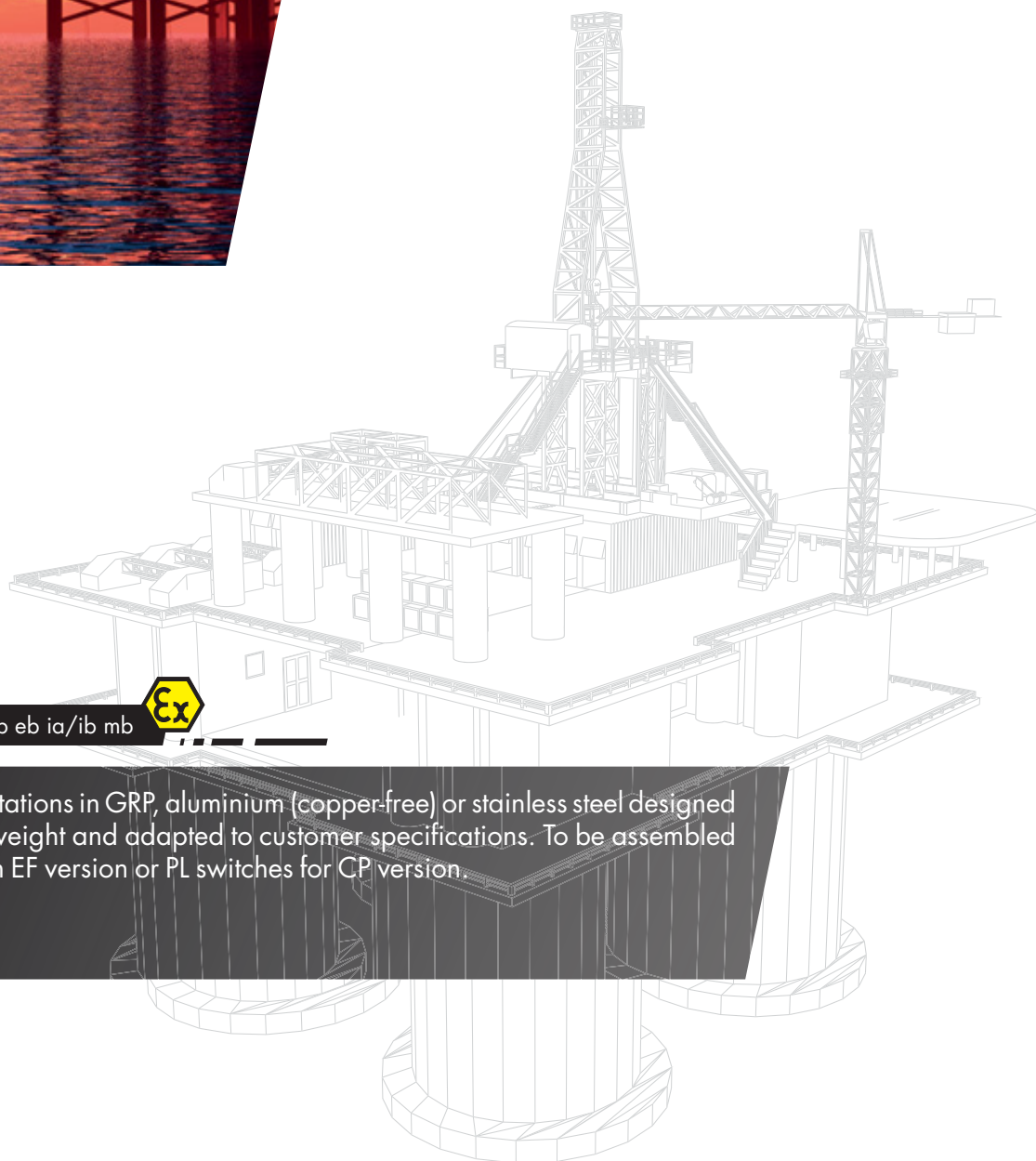


**ACCESSORIES ON REQUEST**

- Inclined sleeve
- Earth stud
- Earth bar
- Hinges
- Mounting brackets
- Purge or breather
- Earthing plate
- Metal gland with or without earth ring

# CONTROL STATIONS AND BOXES

INCREASED SAFETY AND  
FLAMEPROOF



Ex db, Ex eb, Ex db eb, Ex db eb ia/ib mb



A wide range of control stations in GRP, aluminium (copper-free) or stainless steel designed for more flexibility, less weight and adapted to customer specifications. To be assembled with Ex db eb switches in EF version or PL switches for CP version.

## INCREASED SAFETY

### EFXE..

II 2 G Ex eb IIC Gb or II 2 G Ex db eb IIC Gb  
II 2 (1) G Ex db eb ia/ib mb [ia] IIC Gb  
II 2D Ex tb IIIC Db IP66/IP67



- AISI-316L stainless steel.
- Acid treatment.
- Hidden hinges.
- Customised dimensions up to 910x1140x500 mm.
- From -50 °C to +60 °C.
- Designed to meet the requirements for use ON and OFF-SHORE, in petrochemical and marine applications.

### EFXE..

II 2 G Ex eb IIC Gb or II 2 G Ex db eb IIC Gb  
II 2 G Ex db eb ia/ib mb IIC Gb  
II 2D Ex tb IIIC Db IP66/IP67



- Copper-free aluminum.
- From -50 °C to +60 °C.
- A wide range of dimensions.

### EFE..

II 2 G Ex eb IIC Gb or II 2 G Ex db eb IIC Gb  
II 2 G Ex db eb ia/ib mb IIC Gb  
II 2D Ex tb IIIC Db IP66/IP67



- GRP material.
- Designed to meet the requirements for use ON and OFF-SHORE, in petrochemical and marine applications.
- From -50 °C to +60 °C
- A wide range of dimensions.

## FLAMEPROOF

### CP../EFDCN..

II 2G Ex db IIC Gb  
II 2D Ex tb IIIC Db IP66



- Copper-free aluminum.
- From -50 °C to +60 °C (ATEX),  
From -60 °C to +60 °C (IECEX).

### CP../EFSRC..

II 2G Ex db IIC Gb  
II 2D Ex tb IIIC Db IP66



- Copper-free aluminum.
- Selector switches can be customised on request.
- From -50 °C to +60 °C (ATEX),  
From -60 °C to +60 °C (IECEX).

### EPKZM

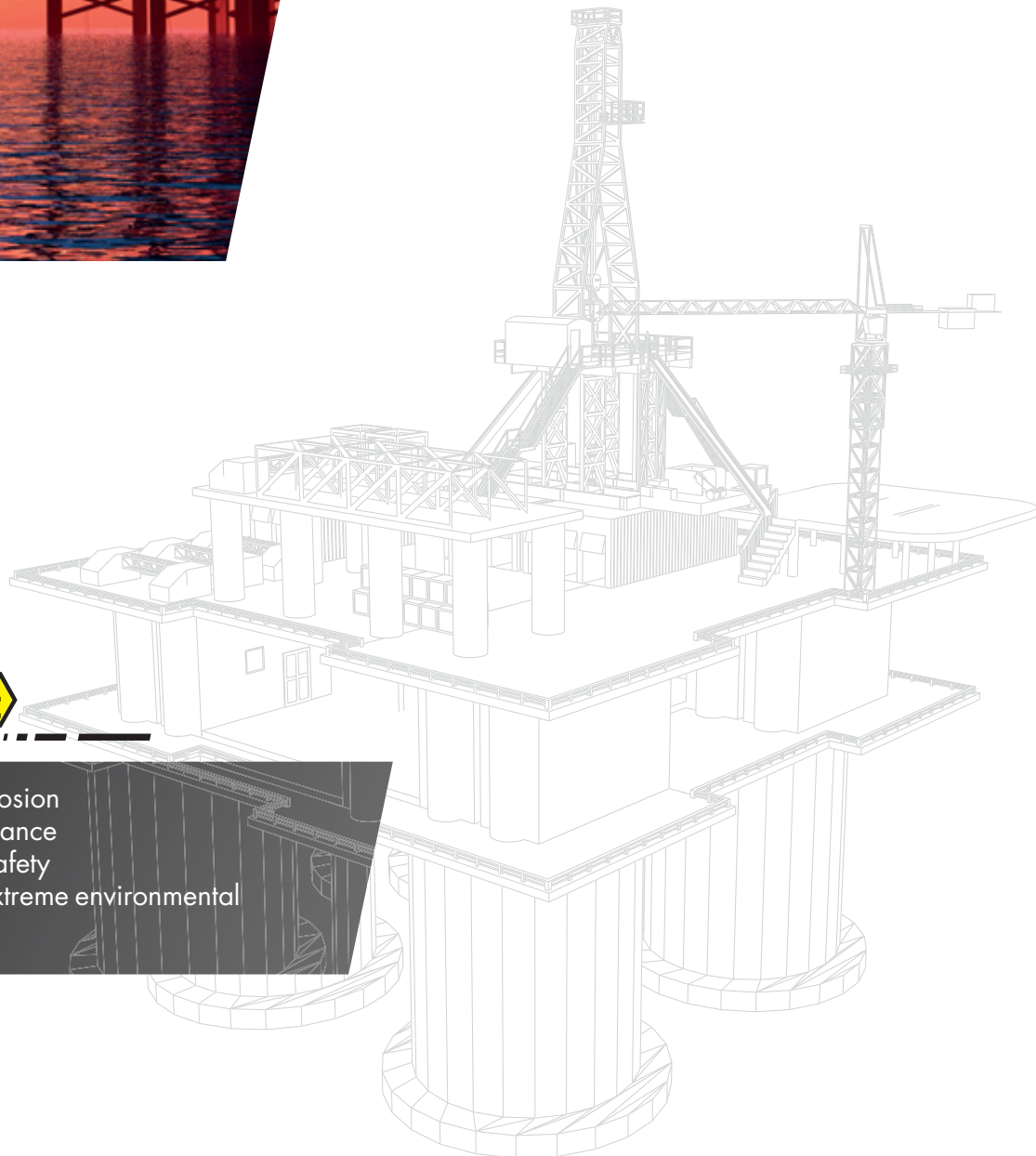
II 2G Ex d IIB T6 Gb  
II 2D Ex tb IIIC T85 °C Db IP66/IP67



- Copper-free aluminum.
- used to house motor protector circuit breakers up to 63 A.
- From -30 °C to +55 °C.
- ATEX certification only.

# BOXES AND ENCLOSURES

GAS GROUP  
IIB + H<sub>2</sub> AND IIC



Ex db IIB, IIB+H<sub>2</sub> et IIC



- High resistance to corrosion
- High mechanical resistance
- Highest standards of safety
- An ideal solution for extreme environmental conditions



## GAS GROUP IIB + H2

### EJB..

II 2G Ex db IIB Gb or Ex db IIB+H<sub>2</sub> Gb  
II 2D Ex tb IIIC Db IP65 or 66



- Copper-free aluminum.
- Adapted for indoor and outdoor applications.
- AISI316 stainless steel screws.
- From -60°C to +60°C
- IP65, IP66.

### EJB..

II 2G Ex db IIB Gb or Ex db IIB+H<sub>2</sub> Gb  
II 2D Ex tb IIIC Db IP65 or 66



- AISI 316L stainless steel or galvanised steel.
- Adapted for indoor and outdoor applications.
- AISI 316L stainless steel screws and accessories.
- From -60°C to +60°C
- IP65, IP66.
- Customised dimensions.

## GAS GROUP IIC

### GUB..

II 2G Ex d IIC Gb  
II 2D Ex tb IIIC Db IP66



- Copper-free aluminum.
- Adapted for indoor and outdoor applications.
- From -50 °C to +55 °C (ATEX), from -60 °C to +60 °C (IECEX).
- AISI 316L version: customised dimensions on request.

### GUB/EMH..

II 2G Ex d IIC Gb  
II 2D Ex tb IIIC Db IP66



- Copper-free aluminum.
- Adapted for indoor and outdoor applications.
- From -50 °C to +55 °C (ATEX), from -60 °C to +60 °C (IECEX).
- Window diameter from 155 to 230 mm..
- AISI 316L version: customised dimensions on request.

### GUB../QL

II 2G Ex d IIC Gb  
II 2D Ex tb IIIC Db IP66



- Copper-free aluminum.
- Adapted for indoor and outdoor applications.
- Can be fitted with push buttons, rotary selectors.
- From -50 °C to +55 °C (ATEX), from -60 °C to +60 °C (IECEX).
- AISI 316L version: customised dimensions on request.

### CPS../EMH

II 2G Ex db IIC Gb  
II 2D Ex tb IIIC Db IP66



- Copper-free aluminum.
- Adapted for indoor and outdoor applications.
- From -50 °C to +60 °C (ATEX), from -60 °C to +60 °C (IECEX).

# LIGHTING



## LINEAR LED LIGHTING

## FLOODLIGHT AND WELLGLASS LED/HALOGEN/H.I.D.

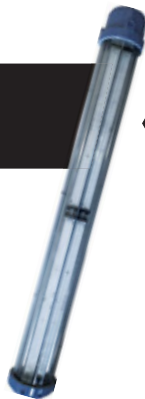
### EVF-P.. LED/FLUORESCENT

II 2G Ex mb db eb IIC T4 Gb  
(normal & emergency)  
II 2D Ex tb IIIC T130°C Db



**Luminosity: up to 13 000 lm**  
**Luminous efficiency: 172 lm/W**  
**LED colour: 4.400 K**

- Ambient temp. range: -20°C/+55°C (emergency: -20°C/+40°C).
- Transparent PC UV protected casing with copper-free aluminum flanges.



### FL.. LED

II 2 G Ex db IIB+H<sub>2</sub> T<sub>6</sub>/T<sub>5</sub>/T<sub>4</sub> Gb  
II 2 D Ex tb IIIC T<sub>85</sub>°C/T<sub>100</sub>°C/T<sub>135</sub>°C Db IP66



**Luminosity: up to 12.000lm**  
**Luminous efficiency: 125 lm/W**  
**LED colour: 5.000 K**

- Ambient temp. range: -50°C/+55°C.
- Copper-free aluminium body.
- Stainless steel mounting brackets.
- Available with battery pack for 180 min.



### EVF-L.. LED/FLUORESCENT

II 2G Ex mb db eb IIC T4 Gb  
(normal & emergency)  
II 2D Ex tb IIIC T<sub>130</sub>°C Db



**Luminosity: up to 13 000 lm**  
**Luminous efficiency: 170 lm/W**  
**LED colour: 4.400 K**

- Ambient temp. range: -20°C/+60°C.
- Transparent PC UV protected casing with GRP flanges.



### FL.. H.I.D.

II 2 G Ex db eb IIB+H<sub>2</sub> T<sub>4</sub>/T<sub>3</sub>/T<sub>2</sub> Gb  
II 2 D Ex tb IIIC T<sub>135</sub>°C to T<sub>235</sub>°C Db IP66



**Power: up to 400 W**

- Ambient temp. range: -50°C/+55°C;
- Copper-free aluminium or AISI316L stainless steel body;
- AISI304 stainless steel mounting brackets.
- Suitable for H.I.D. lamp (metal halide or high pressure sodium).



### G2X LED/FLUORESCENT

II 3 G Ex nA IIC T<sub>6</sub> Gc;  
II 3 D Ex tc IIIC T<sub>85</sub>°C Dc IP66.



**Luminosity: up to 5 200 lm**  
**Luminous efficiency: 118 lm/W**

- T°C amb. : -20°C/+40°C.
- GRP body.
- Available also for safe areas.



### EVDE-PR 3 LED/SPOTLIGHT

II 2 G Ex db IIC T<sub>5</sub>/T<sub>4</sub>/T<sub>3</sub> Gb;  
II 2 D Ex tb IIIC T<sub>100</sub>°C/T<sub>135</sub>°C/T<sub>200</sub>°C Db IP66.



**Luminosity : up to 22 000 lm**  
**Luminous efficiency: up to 135 lm/W**  
**LED colour: 4000 K**

- T°C Amb.: -60°C/+60°C.
- LED floodlight.
- Copper-free aluminum body.



## SELECTION GUIDE

### VISUAL SIGNAL

#### FL1 LED



II 2G Ex db eb mb IIC T4 Gb  
II 2D Ex mb tb IIIC T90°C Db IP66



**Luminosity: up to 32.000 lm**  
**Luminous efficiency: 125 lm/W**

- Ambient temp. range: -30°C/+60°C
- Copper-free aluminium body
- Modular solution: up to 4 units

#### EVDE-5 LED MIOL - MEDIUM INTENSITY OBSTRUCTION LIGHT



II 2 G Ex db IIC T5/T4/T3 Gb  
II 2 D Ex tb IIIC T100°C/T135°C/T200°C Db IP66.



**Luminosity:**  
Type A: up to 20.000 cd white flashing (day) + 2.000 cd white flashing (night)

Type B: up to 2.000 cd red flashing (night)

Type AB: up to 20.000 cd white flashing (day) + 2.000 cd red flashing (night)

Type AC: up to 20.000 cd white flashing (day) + 2.000 cd steady red (night)

- Designed for structures > 45 m
- Compliant with ICAO Annex 14
- Available in single or twin version

#### TL2 LED



II 2 D Ex tb IIIA T80°C Db;  
II 3 G Ex ec IIC T3 Gc;  
II 3 D Ex tc IIIB T80°C Dc.



**Luminosity: up to 50.220 lm**  
**Luminous efficiency: 164 lm/W**

- Ambient temp. range: -40°C/+55°C
- Thermal protection against overtemperature
- Overvoltage protection system

#### EV../XN-MXN LED/XENOFASH LIGHT



II 2 G Ex db IIC T5/T4 Gb;  
II 2 G Ex db eb IIC T5/T4 Gb;  
II 2 D Ex tb IIIC T100°C/T135°C Db IP66.



**Luminosity: up to 8.500 cd**

- Ambient temp. range: -60°C/+60°C;
- Copper-free aluminium body.
- Provided with Fresnel lens.
- Available in different luminous intensities: 2J, 6J, 15J.
- Provided with red lamp.

#### EVCC-PR LED/TRAFFIC LIGHT



II 2 G Ex db IIC T3 Gb  
II 2 D Ex tb IIIC T200°C Db IP66.



**Luminosity: up to 1.500 cd**

- Ambient temp. range: -20°C/60°C
- Copper-free aluminium body.
- Provided with red and green lamps.

The background features a large blue triangle on the left side. Overlaid on this and the white background are several large, semi-transparent grey gears of different sizes. A network of thin grey lines with small circular nodes is scattered across the page, particularly in the upper right and lower left areas. A white rectangular box with a slight shadow is positioned in the upper left, containing the text 'ACCESSORIES AND SPARE PARTS'.

## ACCESSORIES AND SPARE PARTS



## SOMMAIRE

|   |        |
|---|--------|
| MECHANICAL LOCKING .....                  | P. 310 |
| ELECTRO-MECHANICAL LOCKING SYSTEM .....   | P. 312 |
| CABLE AMPLIFIER LUGS .....                | P. 312 |
| STOP-LATCH.....                           | P. 313 |
| TYPOLOGY OF LIDS .....                    | P. 314 |
| DRAW MECHANISM.....                       | P. 315 |
| ELECTROMAGNETIC COMPATIBILITY (EMC) ..... | P. 316 |
| MAIN OPTION COMBINATION SUFFIXES .....    | P. 317 |
| CABLE GLANDS.....                         | P. 318 |
| REVERSED INTERIOR AND CONTACTS .....      | P. 320 |
| PHASE-SEQUENCE INDICATOR .....            | P. 320 |
| VISUAL STATUS INDICATORS .....            | P. 321 |
| INDUSTRIAL/DOMESTIC ADAPTER .....         | P. 321 |
| PILOTS AND AUXILIARIES.....               | P. 322 |
| SPARE PARTS .....                         | P. 324 |



# MECHANICAL LOCKING

## IMMEDIATE VISIBILITY AND SAFETY FOR END-USERS : PADLOCKING

The use of MARECHAL® products can be part of your lockout tagout procedures. Padlocking, when used on your machines or electric motors, ensures protection of your staff with safe local breaking, without any need for an accredited electrical engineer

MARECHAL ELECTRIC offers you simple and fast padlocking for many of its socket-outlets for use in industrial environments or hazardous areas. Padlocking can be done with the socket-outlet either connected or disconnected. It prevents the user from powering some equipment or from inadvertent use during maintenance work.

## DECONTACTOR™



### Plug alone

A padlock or lockout hasp can be fitted on the inlet body. Add suffix 843 to the inlet part number.

### Socket-outlet alone with its lid shut or the full set connected

A padlock or lockout hasp can be fitted on the inlet body. Add suffix 843 to the socket-outlet part number.



Mating, unmating or closing of the lid is made impossible in order to guarantee the safety of the users.

## Suffix to be added to the socket-outlet or plug/inlet part number (P/N°) depending on the locking option:

| OPTIONS   | DSN SERIES               | DS/DSP/DSF SERIES                                | DXN SERIES               | PN SERIES                                      | CS1000 SP          |
|---|--------------------------|--|--------------------------|--|--------------------|
| Locking shaft for up to 2 padlocks Ø 4 to 8 mm max. | Socket-outlet P/N° + 843 | Socket-outlet P/N° + 843                         | Socket-outlet P/N° + 843 | NA   | NA                 |
| Locking shaft for up to 3 padlocks Ø 8 mm max.      | NA                       | NA   | NA                       | NA   | NA                 |
| Padlocking latch (no shaft) one padlock Ø 4 mm max. | NA                       | NA   | NA                       | Socket-outlet P/N° + 843                       | NA                 |
| Allen-screw locking latch*                          | NA                       | DS2 Socket-outlet P/N° + 22 (6 mm hexagonal key) | NA                       | Socket-outlet P/N° + 22 (2.5 mm hexagonal key) | NA                 |
| Locking plug/inlet (padlocking hole)                | <<< Inlet P/N° + 843 >>> |  |                          | NA   | NA                 |
| Safety lock (up to 6 padlocks)                      | 613A541                  | 613A541 (poly shaft)<br>399A541 (metal shaft)    | 613A541                  | NA   | NA                 |
| Padlocking ring                                     | NA                       | NA   | NA                       | NA   | 453A843<br>454A844 |

\* no possibility to use a padlock.

## Some of our ranges are equipped with a mechanical locking device as standard.

With a BTR screw:  
**PXN12C/DS4**

With lockable shaft:  
**DX/DXN25C and DXN37C**

Standard padlocking in the OFF position (Ø 4 to 8 mm).  
**SEPARABLE SWITCH-DISCONNECTOR EVO**





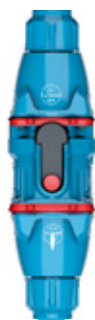
## SECURE YOUR ELECTRICAL WORKS WHILE YOUR DEVICES ARE OFF LOAD

With a  
**DECONTACTOR™**



With an **EVO** separable  
switch- disconnecter

Separating: local  
current interruption  
and on load break  
▶ Visible break



Separating: local  
current interruption  
and on load break  
▶ Visible break  
▶ Fully visible  
break



Padlocking: on the device itself

Identifying



NO RISK  
OF ERRORS



Safety for end users and  
machines

FAST AND EASY  
ASSEMBLY



Time  
saving

ONGOING AND  
WORK IN PROGRESS



Cost reduction

# THE INSTALLATION IS SAFE

ALSO VALID FOR Ex VERSIONS.

The use of MARECHAL® DECONTACTOR™ and EVO products may be part of the lock out tag out procedures for safe working.



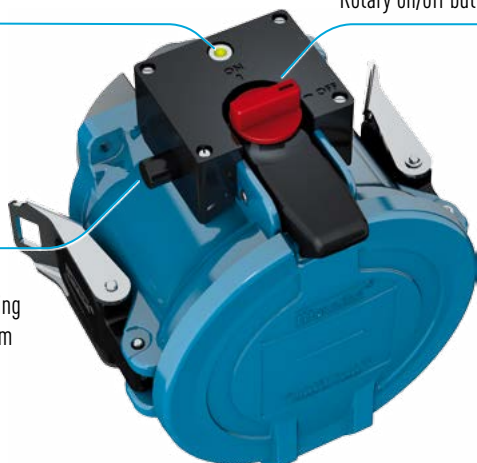
# ELECTRO-MECHANICAL LOCKING SYSTEM

NEW

Voltage presence LED light indicator

Rotary on/off button

Captive and discrete locking pin diam. 8mm included.



## PLUG ENGAGED SYSTEM FOR THE DS2 AND DS4 :

The latch of the socket is equipped with a plug presence detection system.

- When linked to an upstream control device the external power supply is only turned on once the plug is fully engaged
- The rotary button activates the locking system
- In the ON position the socket release latch is disabled and the plug cannot be removed
- In the case of LED or switch failure, connection of the plug is prevented for safety reasons

Locking system is integrated in the module.

- The system lock works either for the lid only or with the plug connected.
- When the system is locked, operation of the release latch is disabled:
  - ▶ the rotary on/off is also disabled
  - ▶ the release latch is disabled preventing the socket lid to be opened or the plug to be removed.
- When ordering this option, the product IP level will no more be guaranteed.

# CABLE LUG AMPLIFIERS



| CONDUCTOR SECTION   |                     | DSN1       | DS1<br>DSN3 | DS2<br>DS2 350 | DS4         | DXN6       | DX6        | DX9         | DX2         |
|---------------------|---------------------|------------|-------------|----------------|-------------|------------|------------|-------------|-------------|
| FLEXIBLE            | STRANDED            |            |             |                |             |            |            |             |             |
| 4 mm <sup>2</sup>   | 6 mm <sup>2</sup>   | 611A277-06 | -           | -              |             |            |            |             |             |
| 6 mm <sup>2</sup>   | 10 mm <sup>2</sup>  | 611A277-10 | -           | -              |             |            |            |             |             |
| FLEXIBLE            | 16 mm <sup>2</sup>  | 611A277-16 | 613A277-16  | -              |             |            |            |             |             |
| 25 mm <sup>2</sup>  | 35 mm <sup>2</sup>  | -          | -           | -              | -           | 256A277-35 | -          | -           |             |
| 50 mm <sup>2</sup>  | 70 mm <sup>2</sup>  | -          | -           | -              | -           | -          | 266A277-50 | -           |             |
| 70 mm <sup>2</sup>  | 95 mm <sup>2</sup>  | -          | -           | -              | -           | -          | -          | 269A277-70  | 269A277-70  |
| 95 mm <sup>2</sup>  | 120 mm <sup>2</sup> | -          | -           | -              | -           | -          | -          | 269A277-120 | 269A277-120 |
| 120 mm <sup>2</sup> | 150 mm <sup>2</sup> | -          | -           | 392A277150     |             |            |            |             |             |
| 150 mm <sup>2</sup> | 185 mm <sup>2</sup> | -          | -           | 392A277185     |             |            |            |             |             |
| 185 mm <sup>2</sup> | 240 mm <sup>2</sup> | -          | -           | -              | 394A277-240 |            |            |             |             |

Cable sections are given for information.

A full check must be undertaken due to the variation of diameter depending on manufacturers.





# STOP-LATCH

This option is ideal for quick disconnection of machinery and equipment by operators wearing gloves. The latch is fitted with a red label with warning "stop" for ease of identification.



The use of this latch is not recommended in case of in-line coupler extension cables.

Suffix to be added to the socket-outlet part number (P/N°):

| OPTION     | DSN SERIES                       | DS SERIES* |
|------------|----------------------------------|------------|
| Stop-latch | <<< Socket-outlet P/N° + 453 >>> |            |

\* The stop-latch is standard for the metal DS9, DS2 and DS4.



The stop latch is not an emergency-stop button





# TYOLOGY OF LIDS

## LID OPENING

Different lid opening configurations are available depending on our ranges. See ranges pages for more details.



DS6 meal example



DSN6 GRP example

## AUTOMATIC SELF-RETURNING LID AND LID-SPRUNG-CLOSED

A normally closed lid configuration is available for applications where it is desirable to protect the front face of the socket outlet – the shutter – from ingress of dust and debris or potential damage. This option provides a lid that automatically returns to an almost closed position after withdrawal of the plug. The user must then always manually close the lid in order to achieve the complete seal (IP-rating), except for the DS1- and DS3- poly, which are available with an automatic sprung loaded lid, which completely closes.

DS1/DS3 example



PN example



This option is recommended for self-ejecting applications.

Suffix to be added to the socket-outlet part number (P/N°):

| OPTION                                       | DSN SERIES | DS SERIES <sup>(1)</sup>       | PN SERIES <sup>(2)</sup> | DXN SERIES |
|--|------------|--------------------------------|--------------------------|------------|
| Socket-outlet with self-returning lid closed |            | <<< Socket-outlet P/N° + R >>> |                          |            |

(1) For DS1- and DS3-, this is an automatic sprung-closed lid.

(2) The IP55 PN series version is available with a standard automatic sprung-closed lid (no need to add R) : replace N of the P/N° of the socket-outlet by a S.

## MOUNTING : LOAD BREAK RELEASE BUTTON SHOULD BE IN UPPER POSITION





# DRAW MECHANISM

## FINGER DRAW PLATES

Easy-mating accessories.

Part numbers (P/N°) for these products:

| OPTION          | DSN1    | DSN3/DS1 | DSN6/DS3 | DS6     | SP/SPeX |
|-----------------|---------|----------|----------|---------|---------|
| Plates          | 611A346 | 613A346  | 616A346  | 316A346 |         |
| Lever mechanism |         |          |          |         | 454A876 |
| Draw base       |         |          |          |         | 454A396 |

Finger draw-plates are available in pairs with 2 seals and longer fixing screws than standard.



Lever mechanism



Some of our products are supplied with a draw mechanism as standard.

Easy-mating mechanism is included both on socket-outlet and connector side for the below products:

DS9 - 150A



DS2 - 250 A



DS4 - 400 A





# ELECTROMAGNETIC COMPATIBILITY (EMC)

## PERFORMANCES IN ELECTROMAGNETIC ENVIRONMENTS

MARECHAL ELECTRIC has developed a simple and reliable solution with outstanding performances in electromagnetic environments. This solution is available for MARECHAL® industrial or hazardous area device ranges, for high currents up to 1 250 A or for signal and control up to 37 contacts.

This solution is particularly adapted to electromagnetic environments involving variable frequency drives for electric motors.

Variable frequency drives include power electronic switches (diodes, thyristors, insulated gate bipolar transistors...) which enable to control the motor power supply frequency, thus its speed.

The switching of these switches generate harmful electromagnetic pollution consisting of:

- current and voltage harmonics, and
- high frequency (HF) disturbances, generally ranging from 2 to 16 kHz.

This pollution can lead to downtimes caused by overloads, or inadvertent tripping of protection devices.

To reduce such disturbances, MARECHAL ELECTRIC solution consists of using metal housing devices and to associate them with metal accessories (handle, sleeve, wall box, spacer) with an adapted shielding continuity cable gland (see page 318).

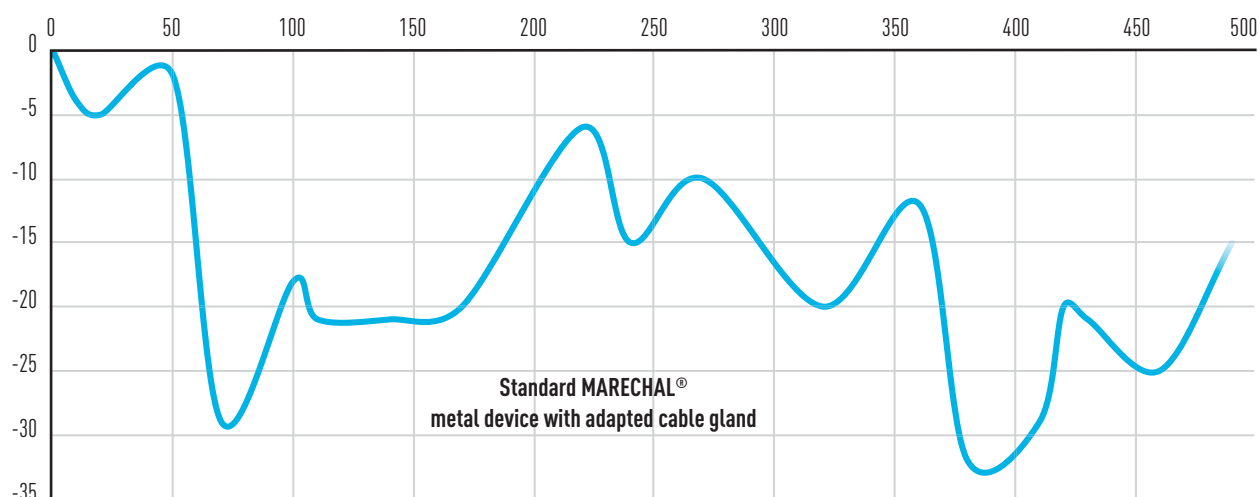
The performances of this solution were measured by the Laboratoire National d'Essais (LNE - France) based on the requirements of standard ISO 11452-4.

The resulting values according to the considered frequencies are as follows:

- 0 Hz to 20 kHz (range of disturbances generated by variable speed drives): negligible input signal power losses,
- 20 kHz to 500 MHz: input signal power losses between - 2 dB and -33 dB.

The solution developed by MARECHAL ELECTRIC does not negatively impact upon the declared levels of sealing, mechanical or corrosion resistance.

## SHIELDING CONTINUITY EFFICIENCY OF MARECHAL® CONNECTED DEVICES



Losses of incoming signal (dB)



Available ranges:

DS6 - DS9 - DS2 - DS4 - DSP400 - DSP1250 - DN9C - PN - PN7C - DN20C - PN12C - DS7C3 - DS7C6 - DXA1 - DX range - PXN12C - DXN25C - DXN37C



# OPTIONS SUFFIXES

## MAIN OPTION COMBINATION SUFFIXES

Suffix to be added to the 7 digits of standard product references.

### SOCKET-OUTLET SUFFIX

| OPTION CHOICE |                  |                    |        |                |                 | APPLICABLE RANGE |                      |            |             |              |             |              |     |
|---------------|------------------|--------------------|--------|----------------|-----------------|------------------|----------------------|------------|-------------|--------------|-------------|--------------|-----|
| Locking       | 180° Opening lid | Self returning lid | 2 aux. | Self ejection* | Ejection latch* | PN               | DSN1<br>DSN3<br>DSN6 | DS1<br>DS3 | DS6<br>POLY | DS6<br>METAL | DS9<br>POLY | DS9<br>METAL | DS2 |
| •             |                  |                    |        |                |                 | 843              | 843                  | 843        | 843         | 843          | 843         | 843          | 843 |
|               | •                |                    |        |                |                 | 10               |                      |            |             |              |             |              |     |
|               |                  | •                  |        |                |                 | R                | R                    | R          | R           | R            | R           | R            | R   |
|               |                  |                    | •      |                |                 |                  | 972                  | 972        | 972         | 972          | 262         | 262          | 972 |
| •             |                  |                    |        |                |                 | 841              |                      |            |             |              |             |              |     |
| •             |                  | •                  |        |                |                 | 858              | 858                  | 858        | 858         | 858          | 858         | 858          | 858 |
| •             |                  | •                  | •      |                |                 |                  | 977                  | 977        | 977         | 977          | 662         | 662          | 977 |
| •             |                  |                    | •      |                |                 |                  | 372                  | 372        | 372         | 372          | 213         | 213          | 372 |
| •             |                  | •                  |        |                |                 | 514              |                      |            |             |              |             |              |     |
|               | •                | •                  |        |                |                 | 18               |                      |            |             |              |             |              |     |
|               |                  | •                  | •      |                |                 |                  | 960                  | 960        | 960         | 960          | 267         | 267          | 960 |
|               |                  | •                  | •      | •              |                 |                  | 853                  | 853        | 853         | 853          |             | **           |     |
|               |                  | •                  | •      | •              | •               |                  | 973                  | 973        | 973         | 973          |             | **           |     |
|               |                  | •                  |        | •              |                 |                  | 352                  | 352        | 352         | 352          |             | **           | **  |
|               |                  | •                  |        | •              | •               |                  | 354                  | 354        | 354         | 354          |             |              |     |

### PLUG SUFFIX

| OPTION CHOICE |        |                | APPLICABLE RANGE |      |              |            |             |              |             |              |     |  |
|---------------|--------|----------------|------------------|------|--------------|------------|-------------|--------------|-------------|--------------|-----|--|
| Locking       | 2 aux. | Self ejection* | PN               | DSN1 | DSN3<br>DSN6 | DS1<br>DS3 | DS6<br>POLY | DS6<br>METAL | DS9<br>POLY | DS9<br>METAL | DS2 |  |
| •             |        |                |                  | 843  | 843          | 843        | 843         | 843          | 843         | 843          | 843 |  |
|               | •      |                |                  |      | 972          | 972        | 972         | 972          | 262         | 262          | 972 |  |
|               |        | •              |                  |      |              |            |             |              |             | **           | **  |  |
| •             | •      |                |                  |      |              | 372        | 372         | 372          | 213         | 213          | 372 |  |
|               | •      | •              |                  |      |              |            |             |              |             | **           | **  |  |

\* See chapter related to mechanical self-ejection in page 192 for more details.

\*\* Contact us.



# CABLE GLANDS



## Gray/black polyamide cable glands with flat gaskets (without locknut)

| Cable entry (E) | Cable outer Ø | Thread length (H) | Reference    |              |
|-----------------|---------------|-------------------|--------------|--------------|
|                 |               |                   | Gray         | Black        |
| M16             | 2,5-8 mm      | 8 mm              | 9PEM16POLY+J | /            |
| M16             | 4-8 mm        | 10 mm             | /            | 9PEM16POLY-N |
| M20             | 5-12 mm       | 10 mm             | 9PEM20POLY+J | 9PEM20POLY-N |
| M25             | 9-18 mm       | 10 mm             | 9PEM25POLY+J | 9PEM25POLY-N |
| M32             | 14-25 mm      | 15 mm             | 9PEM32POLY+J | 9PEM32POLY-N |
| M40             | 18-32 mm      | 16 mm             | 9PEM40POLY+J | 9PEM40POLY-N |
| M50             | 24-38 mm*     | 16 mm             | 9PEM50POLY+J | 9PEM50POLY-N |
| M63             | 35-48 mm      | 12 mm             | 9PEM63POLY+J | 9PEM63POLY-N |

\* 17-38 mm the black cable glands.

### Additional accessory

Plastic locknut

9ECM16POLY

9ECM16POLY

9ECM20POLY

9ECM25POLY

9ECM32POLY

9ECM40POLY

9ECM50POLY

9ECM63POLY

## Metal (nickel plated brass) cable glands with O-rings (without locknut)

| Cable entry (E) | Cable outer Ø | Thread length (H) | Reference     |
|-----------------|---------------|-------------------|---------------|
| M16             | 5-9 mm        | 5 mm              | 9PEM16METAL+J |
| M20             | 7-13 mm       | 6 mm              | 9PEM20METAL+J |
| M25             | 8-16 mm       | 7 mm              | 9PEM25METAL+J |
| M32             | 15-24 mm      | 8,5 mm            | 9PEM32METAL+J |
| M40             | 22-32 mm      | 9 mm              | 9PEM40METAL+J |
| M50             | 34-44 mm      | 9 mm              | 9PEM50METAL+J |
| M63             | 35-48 mm      | 10 mm             | 9PEM63METAL+J |

### Additional accessory

Metal locknut

9ECM16MET

9ECM20MET

9ECM25MET

9ECM32MET

9ECM40MET

9ECM50MET

9ECM63MET

## EMC metal cable glands with O-rings (without locknut)

| Cable entry (E) | Cable outer Ø | Thread length (H) | Reference |
|-----------------|---------------|-------------------|-----------|
| M16             | 5-9 mm        | 12 mm             | 9PEM16EMC |
| M20             | 7-12 mm       | 12 mm             | 9PEM20EMC |
| M25             | 9-16 mm       | 12 mm             | 9PEM25EMC |
| M32             | 11-21 mm      | 15 mm             | 9PEM32EMC |
| M40             | 19-28 mm      | 15 mm             | 9PEM40EMC |
| M50             | 27-35 mm      | 15 mm             | 9PEM50EMC |
| M63             | 34-45 mm      | 15 mm             | 9PEM63EMC |

### Additional accessory

Metal locknut

9ECM16MET

9ECM20MET

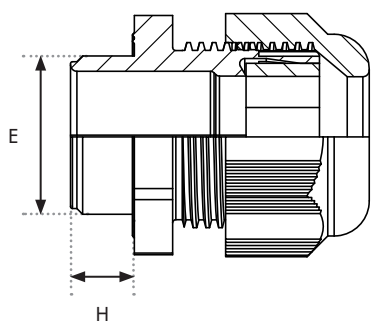
9ECM25MET

9ECM32MET

9ECM40MET

9ECM50MET

9ECM63MET



### ATEX polyamide cable glands with O-rings (without locknut)

| Cable entry (E) | Cable outer Ø | Thread length (H) | Reference |
|-----------------|---------------|-------------------|-----------|
| M16             | 5-10 mm       | 15 mm             | 9PEM16EX  |
| M20             | 10-14 mm      | 15 mm             | 9PEM20EX  |
| M25             | 12-18 mm      | 15 mm             | 9PEM25EX  |
| M32             | 16-25 mm      | 15 mm             | 9PEM32EX  |
| M40             | 22-32 mm      | 16 mm             | 9PEM40EX  |
| M50             | 28-38 mm      | 16 mm             | 9PEM50EX  |
| M63             | 40-48 mm      | 16 mm             | 9PEM63EX  |

### Additional accessory

Metal locknut

9ECM16MET

9ECM20MET

9ECM25MET

9ECM32MET

9ECM40MET

9ECM50MET

9ECM63MET

### ATEX/ATEX-EMC metal cable glands with O-rings (without locknut)

| Cable entry (E) | Cable outer Ø | Thread length (H) | Reference     |             |
|-----------------|---------------|-------------------|---------------|-------------|
|                 |               |                   | ATEX          | ATEX-EMC    |
| M16             | 5-9 mm        | 5 mm              | 9PEM16EXMET+J | 9PEM16EMCEX |
| M20             | 8-13 mm       | 6 mm              | 9PEM20EXMET+J | 9PEM20EMCEX |
| M25             | 9-16 mm       | 7 mm              | 9PEM25EXMET+J | 9PEM25EMCEX |
| M32             | 12-21 mm      | 8 mm              | 9PEM32EXMET+J | 9PEM32EMCEX |
| M40             | 16-27 mm      | 8 mm              | 9PEM40EXMET+J | 9PEM40EMCEX |
| M50             | 23-35 mm      | 9 mm              | 9PEM50EXMET+J | 9PEM50EMCEX |
| M63             | 36-48 mm      | 10 mm             | 9PEM63EXMET+J | 9PEM63EMCEX |

### Additional accessory

Metal locknut

9ECM16MET

9ECM20MET

9ECM25MET

9ECM32MET

9ECM40MET

9ECM50MET

9ECM63MET

### ATEX metal cable glands (with grounding) + O-rings\* (without earth tag, without locknut)

| Cable entry (E) | Cable outer Ø | Thread length (H) | Reference     |
|-----------------|---------------|-------------------|---------------|
| M16             | 6-8 mm        | 13 mm             | 9PEM16CMM1EX  |
| M20             | 8-10 mm       | 13 mm             | 9PEM20CMM1EX  |
| M20             | 10-12 mm      | 13 mm             | 9PEM20CMM1EX1 |
| M25             | 12-14 mm      | 14 mm             | 9PEM25CMM1EX  |
| M32             | 15-18 mm      | 14,5 mm           | 9PEM32CMM1EX1 |
| M32             | 18-24 mm      | 14,5 mm           | 9PEM32CMM1EX  |
| M40             | 18-24 mm      | 14,5 mm           | 9PEM40CMM1EX  |

### Additional accessory

Metal locknut

With earth tag + metal locknut

9ECM16MET 9BRIDEM16EXEC

9ECM20MET 9BRIDEM20EXEC

9ECM20MET 9BRIDEM20EXEC

9ECM25MET 9BRIDEM25EXEC

9ECM32MET 9BRIDEM32EXEC

9ECM32MET 9BRIDEM32EXEC

9ECM40MET 9BRIDEM40EXEC

\*Contact us for cable glands for cable entries higher than M40.



## REVERSED INTERIORS

In the PN series, the interior mouldings and contacts can be swapped:

- The plug interior moulding and contacts can be assembled in a socket-outlet casing.
- The socket-outlet moulding and contacts can be assembled in plug casing.

**Suffix to be added to socket-outlet & inlet part number (P/N°):**

| OPTION                                   | PN SERIES                        |
|--|----------------------------------|
| Reversed interior mouldings and contacts | Socket-outlet & inlet P/N° + 001 |

As the plug top housing becomes the live power side it is supplied with a protective cap as standard (01NA426).



Some of the products of our multicontacts range exist with reversed interior and contacts, please contact us.



## PHASE-SEQUENCE INDICATOR

The phase-sequence indicator is an accessory that provides a simple way to test if the phase sequence is correct, and the rotation direction of AC motors, from 250 to 690 V AC.

The accessory comprises either a plug fitted with a handle with LEDs which is to be mated with the socket-outlet which phase sequence is to be tested or, a plug connected with a cable to a phase sequence indicator.



Please contact us for part numbers







## VISUAL STATUS-INDICATORS

Our devices can be fitted with LEDs indicating the presence of voltage.

The LEDs are fitted on handles as follows:

- Voltage 24 V AC                    Ø 8 mm yellow LED
- Voltage 240 V AC                Ø 8 mm red LED
- Voltage 400 V AC                Ø 8 mm red LED



**Suffix to be added to handles part numbers (P/N°):**

| HANDLES*  | DSN1 - DSN3 - DSN6 - DS1 - DS3 - DS6 - PN |
|-----------|---|
| For 24 V  | Standard P/N° + LY                        |
| For 240 V | Standard P/N° + LR                        |
| For 400 V | Standard P/N° + LR4                       |

\* IP level is not guaranteed.



## INDUSTRIAL/ DOMESTIC ADAPTER

In order to allow the connection of an appliance fitted with a domestic plug to an industrial type socket-outlet, MARECHAL ELECTRIC has developed an adapter which features a MARECHAL® single phase industrial plug top at one end and a 10/16 A - 230 V domestic socket at the other end. The adapter includes a 6 x 32 mm 10/16 A fuse-link.



**Part numbers (P/N°) for these products:**

| TYPE           |       | DSN1       | DSN3       | DS1        | PN         |
|----------------|-------|------------|------------|------------|------------|
| France         | Poly  | 6118015D11 | 6138015D11 | 3118015D11 | 01N8015D11 |
|                | Metal | -          | -          | -          | 09N8015D11 |
| United Kingdom | Poly  | 6118015D40 | 6138015D40 | 3118015D40 | 01N8015D40 |
|                | Metal | -          | -          | -          | 09N8015D40 |
| Germany        | Poly  | 6118015D30 | 6138015D30 | 3118015D30 | 01N8015D30 |
|                | Metal | -          | -          | -          | 09N8015D30 |
| Italy          | Poly  | 6118015D06 | 6138015D06 | 3118015D06 | 01N8015D06 |
|                | Metal | -          | -          | -          | 09N8015D06 |

Adaptation device without domestic socket is also available. Contact us for the references.



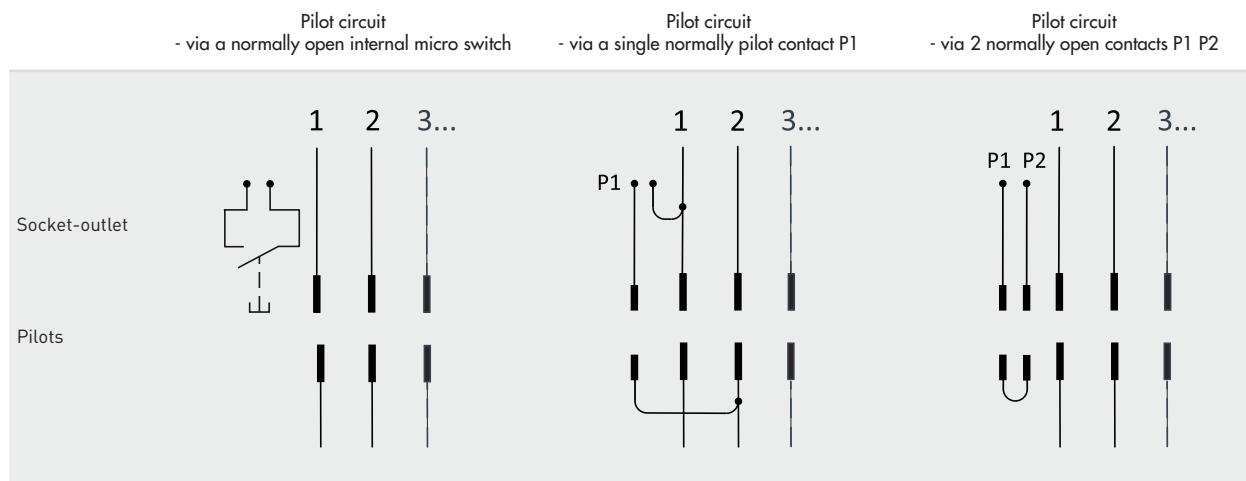
# PILOTS & AUXILIARIES

## PILOTS

A pilot circuit allows the safe remote control of a contactor by signalling confirmation that the plug is correctly inserted into the socket-outlet. The circuit must be designed so that the contactor coil cannot be energised (closing the contactor) until all downstream connections between socket-outlets (connector) and plug (appliance inlet) are correctly made - ie closed.

The contactor controls the power supply of the socket-outlet by:

- a micro switch inside the socket outlet or inlet only, which is mechanically activated when the plug is connected,
- a contact or pair of normally open contacts on the male and female sides which close last and open first used as part of the external control circuit.



Some of our products feature pilot contacts as standard.

SP series



PF series

Up to 6 auxiliaries (and 2 pilot contacts)



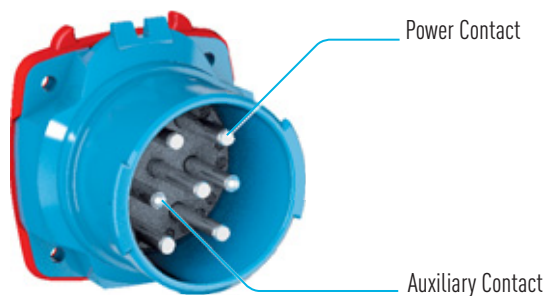
DS4 series





## AUXILIARY CONTACTS

Auxiliary contacts on the male and female sides are separate from the main power contacts. These contacts can be used for signal and control requirements.



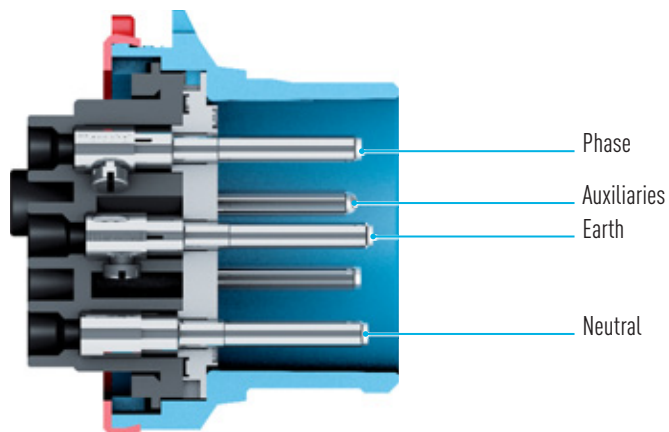
For suffix references to add auxiliary contacts to the socket outlet and inlet part numbers please refer to the option suffixes section.

## SEQUENCING BETWEEN AUXILIARY CONTACTS AND POWER CONTACTS

To ensure optimum performance, DECONTACTOR™ contacts are sequenced in the following order on insertion of the plug:

**In order:**

- ① the earth contact closes first,
- ② then the neutral contact,
- ③ then the phase contacts,
- ④ and last the auxiliary contacts which can be used as pilot contacts.



This design ensures no arcing at connection and disconnection.

# SPARE PARTS



| PLUG |                            | PN POLY | PN METAL |
|------|----------------------------|---------|----------|
| 1    | Plug interior              | 01NA010 | 09NA110  |
| 2    | Locking ring               | 611A583 | 09NA583  |
| 3    | Plug contact (P or N)      | 01NA011 | 01NA011  |
| 4    | Color-coded voltage gasket | 611AV26 | 611AV26  |
|      |                            | 611AB26 | 611AB26  |
|      |                            | 611AR26 | 611AR26  |
|      |                            | 611AN26 | 611AN26  |
| 5    | Plug casing                | 01NA501 | 09NA501  |



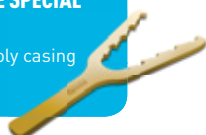
| SOCKET |                            | PN POLY   | PN METAL  |
|--------|----------------------------|-----------|-----------|
| 1      | Socket Interior 3P+E       | 01NA020C3 | 09NA220C3 |
| 1      | Socket Interior 1P+N+E     | 01NA020C5 | 09NA220C5 |
| 1      | Socket Interior 3P+N+E     | 01NA020C7 | 09NA220C7 |
| 2      | Locking ring               | 611A583   | 09NA583   |
| 3      | Socket contact             | 01NA021   | 01NA021   |
| 4      | Color-coded voltage gasket | 611AV26   | 611AV26   |
|        |                            | 611AB26   | 611AB26   |
|        |                            | 611AR26   | 611AR26   |
|        |                            | 611AN26   | 611AN26   |
| 5      | Socket Lid Gasket          | 01NA524*  | 09NA524*  |
| 6      | Casing gasket              | 01NA074   | 01NA074   |

\*Add suffix cover option (opening 180°, self-returning, etc.).




### REMEMBER TO ORDER THE SPECIAL REMOVAL KEY

Yellow disassembly key for poly casing  
31-A500-1

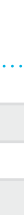


CONTACT US FOR SPARE PARTS.



| PLUG |                            | DSN1  | DSN3    | DSN6    |         |
|------|----------------------------|---|---------|---------|---------|
| 1    | Plug interior              | 611A010   | 311A010 | 313A010 |         |
| 2    | Locking ring               | 611A583   | 311A583 | 616A583 |         |
| 3    | Plug contact               | 611A011   | 311A011 | 616A011 |         |
| 4    | Color-coded voltage gasket |  | 611AB26 | 613AB26 | 313AB26 |
|      |                            |  | 611AR26 | 613AR26 | 313AR26 |
|      |                            |  | 611AV26 | 613AV26 | 313AV26 |
|      |                            |  | 611AN26 | 613AN26 | 313AN26 |
| 5    | Plug casing                | 611A501   | 613A501 | 616A501 |         |



| SOCKET |                            | DSN1  | DSN3     | DSN6     |         |
|--------|----------------------------|---|----------|----------|---------|
| 1      | Socket Interior            | 611A020   | 311A020  | 313A020  |         |
| 2      | Locking ring               | 611A583   | 311A583  | 616A583  |         |
| 3      | Socket contact             | 611A021   | 311A021  | 616A021  |         |
| 4      | Color-coded voltage gasket |  | 611AB26  | 613AB26  | 313AB26 |
|        |                            |  | 611AR26  | 613AR26  | 313AR26 |
|        |                            |  | 611AV26  | 613AV26  | 313AV26 |
|        |                            |  | 611AN26  | 613AN26  | 313AN26 |
| 5      | Socket Casing              | 611A524*  | 613A524* | 616A524* |         |
| 6      | Casing gasket              | 611A074   | 613A074  | 616A074  |         |

\*Add suffix cover option (opening 180°, self-returning, etc.).



**REMEMBER TO ORDER THE SPECIAL REMOVAL KEY**

Yellow disassembly key for poly casing  
31-A500-1



CONTACT US FOR SPARE PARTS.

# SPARE PARTS



2





1

3

1

4

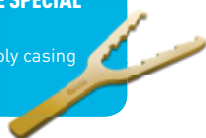
5

| PLUG  |                            | DS1   | DS3     | DS6     | DS9     | DS2     | DS4     |   |
|---|----------------------------|---|---------|---------|---------|---------|---------|---|
| 1   | Plug interior              | 311A010   | 313A010 | 316A010 | 619A010 | -       | -       |   |
| 1   | Plug interior metal + E    | -   | -       | 396A110 | 699A110 | 392A110 | 394A110 |   |
| 2   | Locking ring               | 311A583   | 616A583 | 316A583 | 319A583 | -       | -       |   |
| 2   | Locking ring metal         | -   | -       | 396A583 | 399A583 | 392A583 | 394A583 |   |
| 3   | Plug contact (P or N)      | 311A011   | 616A011 | 316A011 | 619A011 | 392A011 | 394A011 |   |
| 4   | Color-coded voltage gasket |  | 311AB26 | 313AB26 | 316AB26 | 319AB26 | 392AB26 | - |
|  |                            | 311AR26   | 313AR26 | 316AR26 | 319AR26 | 392AR26 | -       |   |
|  |                            | 311AV26   | 313AV26 | -       | -       | -       | -       |   |
|  |                            | 311AN26   | 313AN26 | 316AN26 | 319AN26 | 392AN26 | -       |   |
| 5   | Plug casing poly           | 311A501   | 313A501 | 316A501 | 619A501 | -       | -       |   |
| 5   | Plug casing metal          | -   | -       | 396A501 | 399A501 | 392A501 | 394A501 |   |




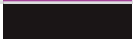


## REMEMBER TO ORDER THE SPECIAL REMOVAL KEY

Yellow disassembly key for poly casing  
31-A500-1



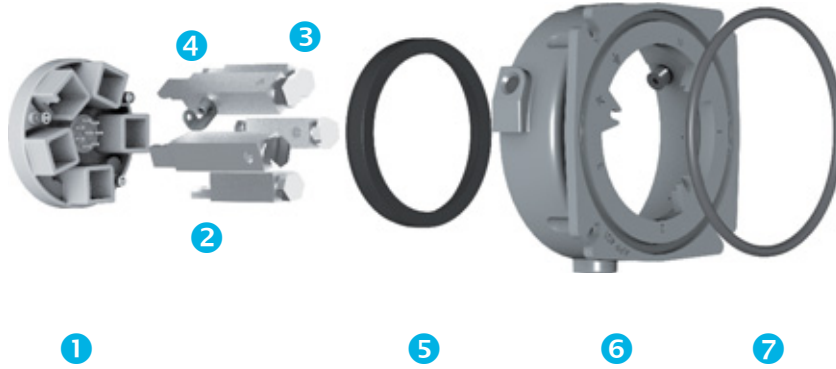


| SOCKET                       | DS1   | DS3           | DS6              | DS9   | DS2              | DS4              |
|------------------------------|---|---------------|------------------|---|------------------|------------------|
| 1 Socket Interior poly       | 311A020   | 313A020       | 316A020          | 619A020                                       | -                | -                |
| 1 Socket Interior metal +E   |   |               | 396A220          | 699A220                                       | 392A220          | 394A220          |
| 2 Locking ring               | 311A583   | 616A583       | 316A583          | 319A583                                       | -                | -                |
| 2 Locking ring metal         | -   | -             | 396A583          | 399A583                                       | 392A583          | 394A583          |
| 3 Socket contact (P or N)    | 311A021   | 616A021       | 316A021          | 619A021                                       | 392A021          | 394A021          |
| 4 Color-coded voltage gasket |  311AB26 | 313AB26       | 316AB26          | 319AB26                                       | 392AB26          | -                |
|                              |  311AR26 | 313AR26       | 316AR26          | 319AR26                                       | 392AR26          | -                |
|                              |  311AV26 | 313AV26       | -                | -   | -                | -                |
|                              |  311AN26 | 313AN26       | 316AN26          | 319AN26                                       | 392AN26          | -                |
| 5 GRP socket casing          | 311A524*  | 313A524*      | 316A524*         | 619A524*                                      | -                | -                |
| 5 Metal socket casing        | -   | -             | 396A524*         | 399A524*                                      | 392A524*         | 394A524*         |
| 6 Lid gasket                 | 311A563 (lid)   | 313A563 (lid) | 396A074 (casing) | 399A074 (metal)<br>619A074 (poly)<br>(casing) | 392A074 (casing) | 394A074 (casing) |

\*Add suffix cover option (opening 180°, self-returning, etc.).

CONTACT US FOR SPARE PARTS.

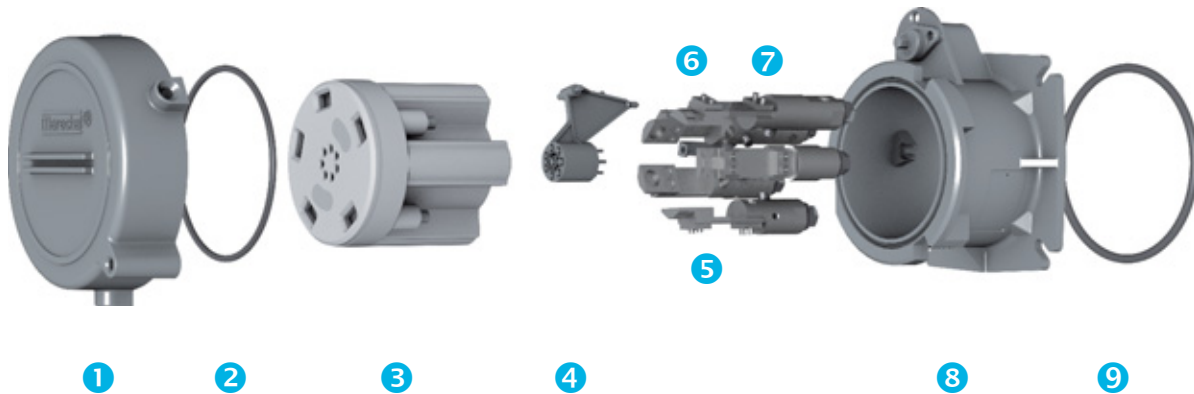
# SPARE PARTS



**PLUG**

**PFQ**

|   |  |          |
|---|--|----------|
| 1 | Plug interior (with auxiliary contacts)          | 473A310  |
| 2 | Phase contact                                    | 474A011  |
| 3 | Neutral contact                                  | 474A011L |
| 4 | Earth contact                                    | 474A019  |
| 5 | Internal gasket                                  | 473A074  |
| 6 | Plug casing (with internal and external gaskets) | 473A014  |
| 7 | External gasket                                  | 474A026  |

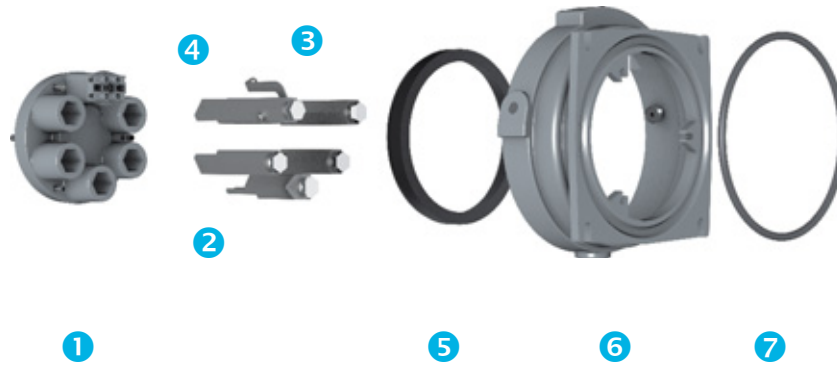


**SOCKET**

**PFQ**

|   |   |          |
|---|---|----------|
| 1 | Cap (with gasket)                                       | 474A925  |
| 2 | Cap gasket  | 474A563  |
| 3 | Socket interior (with auxiliaries)                      | 473A320  |
| 4 | Insulator block for Auxs and Pilots (includes contacts) | 473A229  |
| 5 | Phase contact   | 474A021  |
| 6 | Neutral contact   | 474A021L |
| 7 | Earth contact   | 474A029  |
| 8 | Socket casing (with gasket and cap)                     | 473A024  |
| 9 | External gasket   | 474A026  |

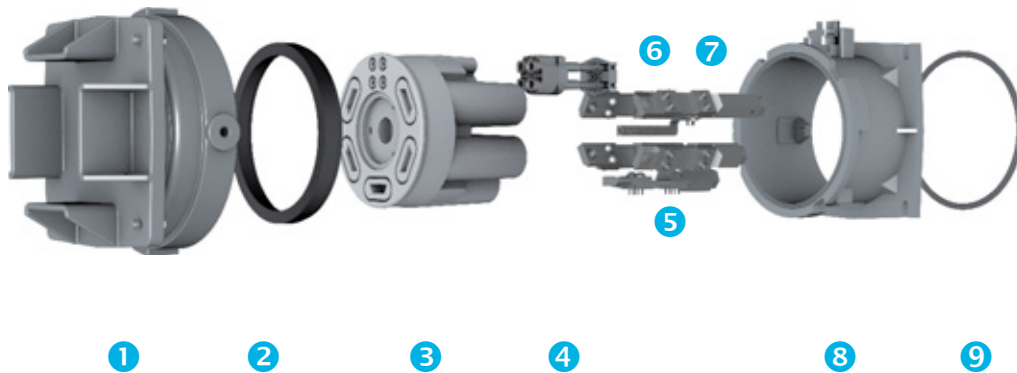




**PLUG**

**PFC**

|   |  |          |
|---|--|----------|
| 1 | Plug interior (with auxiliary contacts)          | 496A310  |
| 2 | Phase contact                                    | 496A011  |
| 3 | Neutral contact                                  | 496A011N |
| 4 | Earth contact                                    | 496A019  |
| 5 | Internal gasket                                  | 494A074  |
| 6 | Plug casing (with internal and external gaskets) | 494A014  |
| 7 | External gasket                                  | 494A026  |



**SOCKET**

**PFC**

|   |   |          |
|---|---|----------|
| 1 | Socket cap (with gasket)                                | 496A925  |
| 2 | Cap gasket  | 494A074  |
| 3 | Socket interior (with auxiliary contacts)               | 496A320  |
| 4 | Insulator block for Auxs and Pilots (includes contacts) | 494A229  |
| 5 | Phase contact   | 496A021  |
| 6 | Neutral contact   | 496A021N |
| 7 | Earth contact   | 496A029  |
| 8 | Socket casing (with gasket and cap)                     | 494A024  |
| 9 | External gasket   | 494A026  |



















## WEBSITE

- Configure your product specification with our online configurator: [marechal.com/configurator](http://marechal.com/configurator)
- Retrieve your business contacts.
- Download our documentation related to your field of activity.
- Download our product data sheets.
- Follow current events and news.

### NON CONTRACTUAL DOCUMENT AND PICTURES

All the indications appearing in this catalogue are indicative and could not constitute a commitment on our part.

We reserve the right to alter specifications of our products without any prior notice in our efforts to continuously improve our products features. Please note: The most up to date versions of our products can be found on our website [marechal.com](http://marechal.com).

FIND ALL INFORMATION  
ON OUR WEBSITE:  
[marechal.com](http://marechal.com)

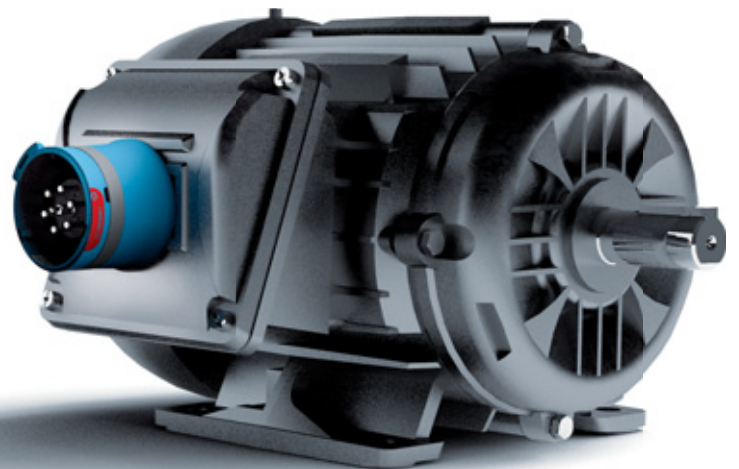




**EVO**

## **THE FIRST SEPARABLE SWITCH- DISCONNECTOR**

- Complies with the low voltage directive
- Up to 40 A and 18,5 kW
  - Up to 6 poles + earth
- IP66/IP67/IP69 automatic waterproofing in ON and OFF positions

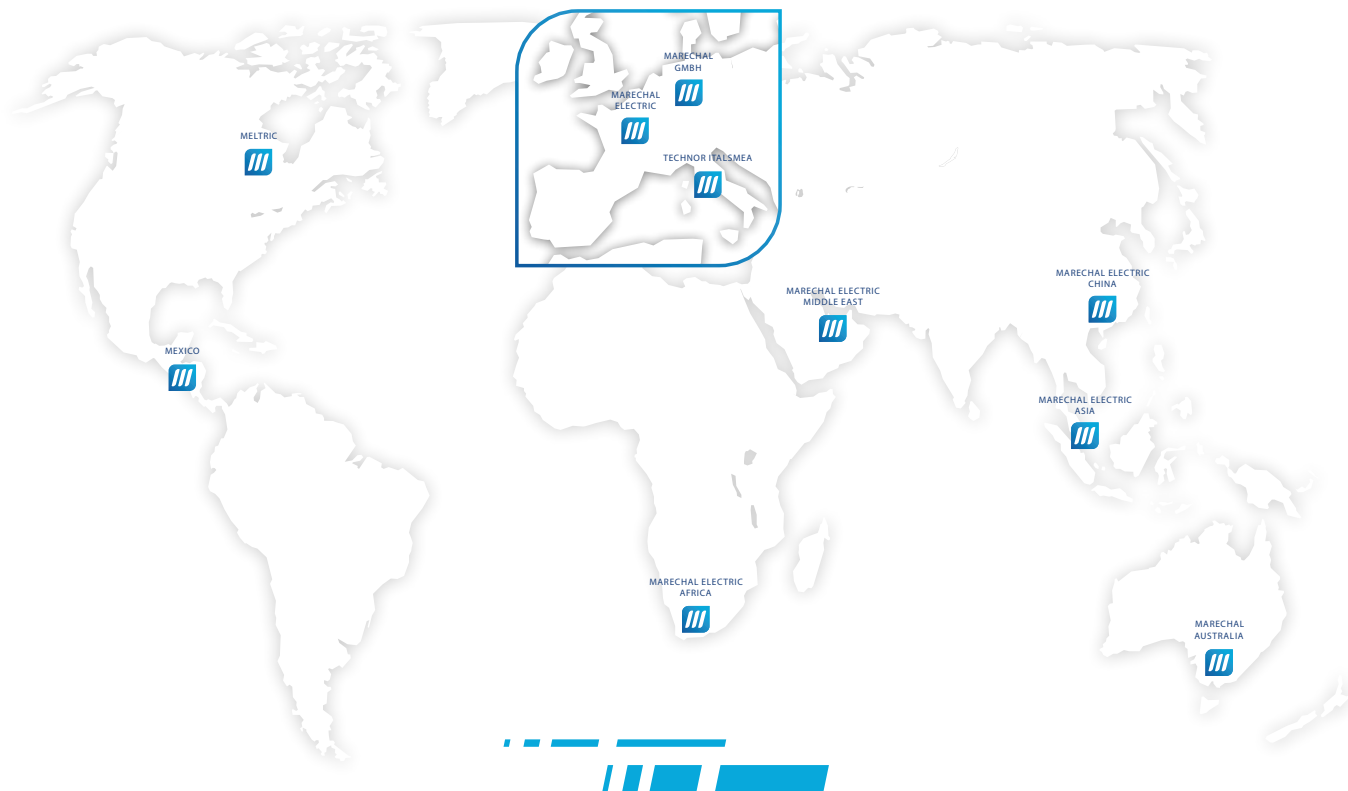


[marechal.com](http://marechal.com)

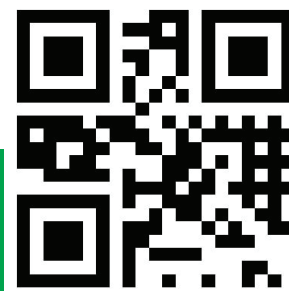
 **MARECHAL**  
ELECTRIC

BEYOND CONNECTIONS

# WORLD PRESENCE



**Ultima Kft.**  
Központi raktár: 1172 Budapest, Rétifarkas utca 6.  
Telefon: +36 1 432 8820  
[www.ultima.hu](http://www.ultima.hu)



[marechal.com](http://marechal.com)

 **MARECHAL**  
ELECTRIC  
MARECHAL® TECHNOR® MELTRIC®